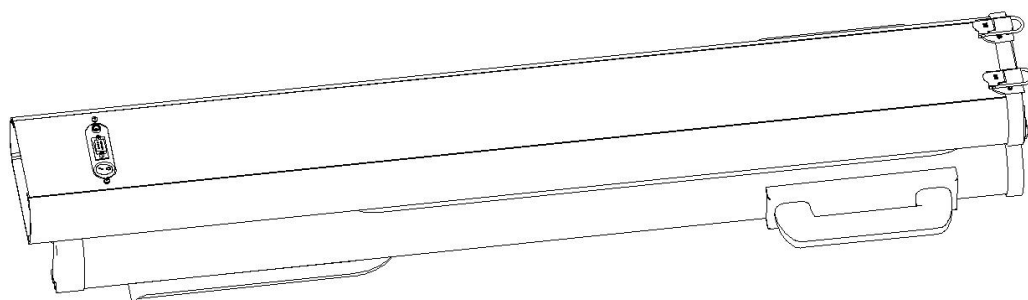


DHM-30B

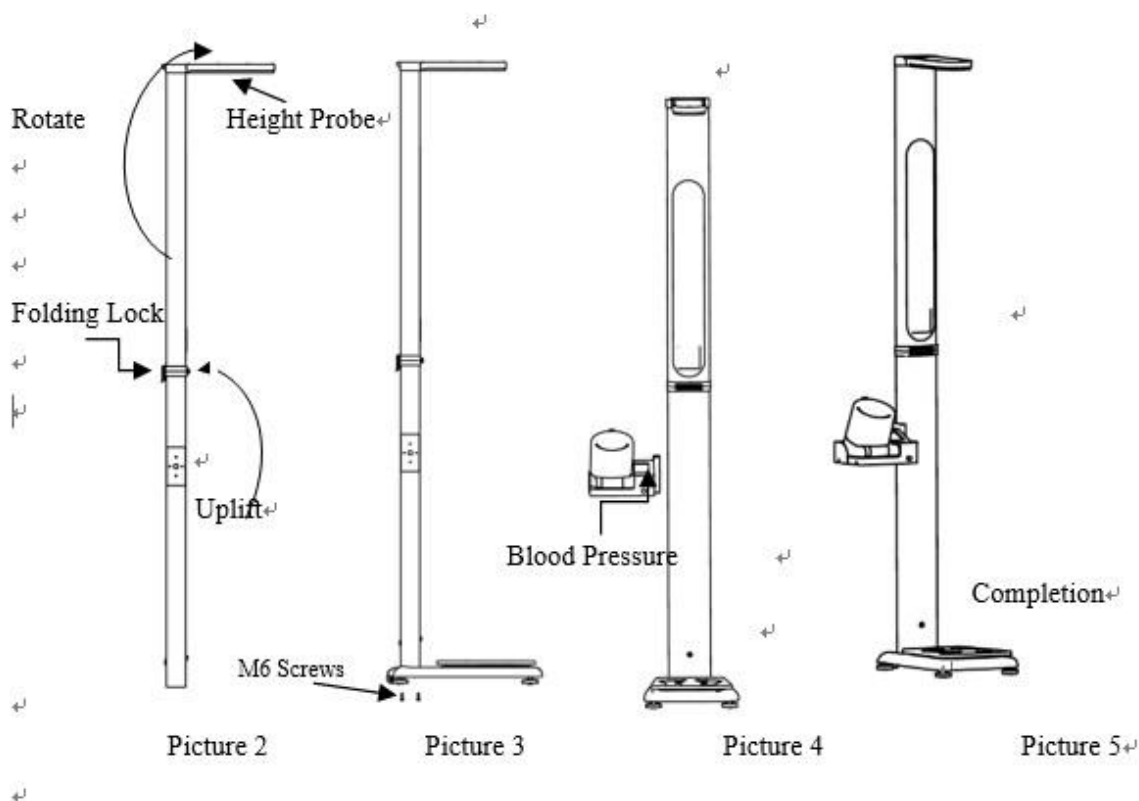


USER MANUAL

一. Installation



Picture 1



When you open the wrapper, look as Picture 1

1. Make the body of machine up (As shown in Appendix 2)

Note: Language and Model of machine have been set before leaving factory, Contact us if any changes.

The arrow shown in the middle of Picture 2 indicates the direction to lift the body of machine. Rotate the probe box according to the direction indicated by the top arrow in Picture 2, so that the probe box and the upper body are at an Angle of 90 degrees, and lock the Folding Lock, as shown in Picture 2

Note: When rotating the probe box, be careful not to press the probe cable!

2. Installation of the chassis

As shown in Picture 3, fix the chassis and body of machine with M6 screws to make the body of machine and chassis firmly connected.

Note: The body of machine contains the connection wire of the weight sensor. Please connect the connection wire of the sensor before fixing it. Don't press the connection wire of the sensor!

二. Menu



1. Turn on : Connect the power cord, turn on the power switch at the back of the machine, then enter the self-inspection process

2. Measurement : Inert the coin; Measure height and weight when the user standing on the platform; Put right arm in the arm hole of the blood pressure meter, and then press the key on the left side of shell.

Note:

1. Nothing is on the platform before turning on the machine.
2. The ground wire of the power line should be reliably grounded.
3. Adjust 4 feet to make the scale smooth

3. Display:

Stand-by State	Measuring Results
 <p>Date: 11th, Oct</p> <p>Time: 8.:05</p> <p>Temp: 28°C</p> <p>LED flashing</p>	 <p>Height: 173.0cm</p> <p>Weight: 65.2 kg</p> <p>BMI: 21.8</p> <p>BMI: Normal</p>

三. Function settings and adjustment

During stand-by state, press **ENT** button and the digital tube screen will show "1-01", which indicates the entry of menu operation, at this moment please press **+** or **-** to select the relevant item, press **ENT** to choose, or press **DEL** to give up and return to the stand-by state.

1. Date adjustment

When the screen shows **1-01**, press **ENT** and it will be in the state of date adjustment. Height display shows the current month and year, and weight display shows the current date. Make adjustment while the content of the display flash. Press **+** or **-** to adjust until the actual date is shown on the screen. Press **SEL** to cyclically adjust the year, month, and date. Press **ENT** to save the adjustment and exit. Press **ESC** to exit without save the adjustment.

2. Time adjustment

When the screen shows **1-02**, press **ENT** and it will be in the state of time adjustment. Height display shows the current time. Make adjustment while the content of the display flash. Press **+** or **-** to adjust until the actual time is shown on the screen. Press **SEL** to cyclically adjust the minute, and hour. Press **ENT** to save the adjustment and exit. Press **ESC** to exit without save the adjustment.

3. Weight adjustment

When the screen shows **1-03**, press **ENT** and it will be in the state of weight adjustment. At this moment the weight screen shall show 0.0, and then put something with confirmed weight on the saddle (also it can be a person). The weight screen shall show the measuring result. If the result is higher than its actual value, press **-** to adjust; if the result is lower, press **+** to adjust until the actual value is shown on the screen. Press **SEL** when you need to measure again. Press **ENT** to save the weight adjustment and exit. Press **ESC** to exit without save the adjustment.

4. Height adjustment

Firstly, put a surveyor's pole on the saddle, when the screen shows **"1-04"**, press **ENT** to measure height. The height screen shows the pole's measuring height. If the result is higher than its actual value, press **-** to adjust; if the result is lower, press **+** to adjust until the actual value is shown on the screen. Press **ENT** to save the height adjustment and exit. Press **ESC** to exit without save the adjustment.

5. How to adjust the interval time of speaking "welcome"

When the screen shows **"1-05"**, press **ENT** and it will be in the state of adjusting the interval time of speaking "welcome". At this moment the weight screen will show a number in **"0-50"**, which denotes the interval time of speaking "welcome". The interval time of speaking "welcome" can be adjusted by pressing **+** or **-**.

Press **ENT** to save the height adjustment and exit. Press **ESC** to exit without save the adjustment.

Attention:

- a. actual interval time= number (on the screen) *5 (unit: second)
- b. When it shows "0", it means no speaking of "welcome".

6. How to adjust the state of speaking

When the screen shows **"1-06"**, press **ENT** to adjust the state of speaking. At this moment the weight screen will show a number in **"00-07"**.

- 00: no speaking; 01: speaking of height and weight;
- 02: speaking of BMI; 03: speaking of height and weight and BMI;
- 04: static rich voice; 05: speaking of height and weight;
- 06: speaking of BMI and static rich voice;
- 07: speaking of height, weight, BMI and static rich voice.

The state of speaking can be adjusted by pressing **+** or **-**.

Press **ENT** to save the adjustment and back to the menu selection. Press **ESC** to return to the menu selection without save the adjustment.

7. Normal range of BMI (Body Mass Index) maximum value

When the screen shows **"1-07"**, press **ENT** and it will be in the adjustment of normal range of BMI maximum value. The weight display shows the BMI maximum value. The normal range of minimum values is 19.0-28.0, and it can be adjusted by pressing **+** or **-**. Press **ENT** to save the adjustment and back to the menu selection. Press **ESC** to exit without save the adjustment.

8. Normal range of BMI (Body Mass Index) minimum value

When the screen shows “1-08”, press **ENT** and it will be in the adjustment of normal range of BMI minimum value. The weight display shows the BMI maximum value. The normal range of minimum values is 16.0-22.0, and it can be adjusted by pressing **+** or **-**. Press **ENT** to save the adjustment and back to the menu selection. Press **ESC** to return to the menu selection without save the adjustment.

Attention: a. adjusts the value according to the actual situation as the normal range of BMI may not be the same in different regions.

b. After measurement, the position of BMI light displaying, the print ideal weight and the print normal range of weight depend on the setting of BMI maximum value and BMI minimum value.

c. **Body Mass Index: BMI=weight (Kg)/ (height)²(M²) %**

9. Print mode setting

When the screen shows “1-09”, press **ENT** and it will be in the setting of print mode. Weight screen will show a number in “0-8”, which denotes the current print mode. Different number indicates different print content as the following table shows. It can be adjusted by pressing **+** or **-**. Press **ENT** to save the adjustment and back to the menu selection. Press **ESC** to return to the menu selection without save the adjustment.

content mode	Height	Weight	BMI	Normal Weight	Normal range of Weight
00					
01	*	*	*		
02	*	*		*	
03	*	*	*	*	
04	*	*			*
05	*	*	*		*
06	*	*		*	*
07	*	*	*	*	*
08	*	*			

10. Coin number adjustment

When the screen shows “1-10”, press **ENT** and it will be in the adjustment of coin number. At this moment the screen will show a number in “0-9”, which denotes the coin number that must be input. When it shows “0”, indicated that it'll entering a state of automatic measurement. It can be adjusted by pressing **+** or **-**. Press **ENT** to save the adjustment and back to the menu selection. Press **ESC** to return to the menu selection without save the adjustment.

11. Check the number of measuring

When the screen shows “1-11”, press **ENT** and it will be in checking the number of measuring. The height screen shows the total number of measurement, the weight screen shows the cumulative number of this batch (*from previous to this view time*). The range of the cumulative is 0-9999, when it out of range, it'll be automatically back to 0. Press **SEL** to print the cumulative number of measurement, press **ENT** or **ESC** to exit.

12. To restore the factory settings

When the screen shows “1-12”, press **ENT** and then the screen shows “8888”, it will be in restore the factory setting menu, press **ENT** and it will restore the factory settings, press **ESC** to exit.

四. Electrical data

Range of Weight: 1-500kg resolution: ±0.1kg

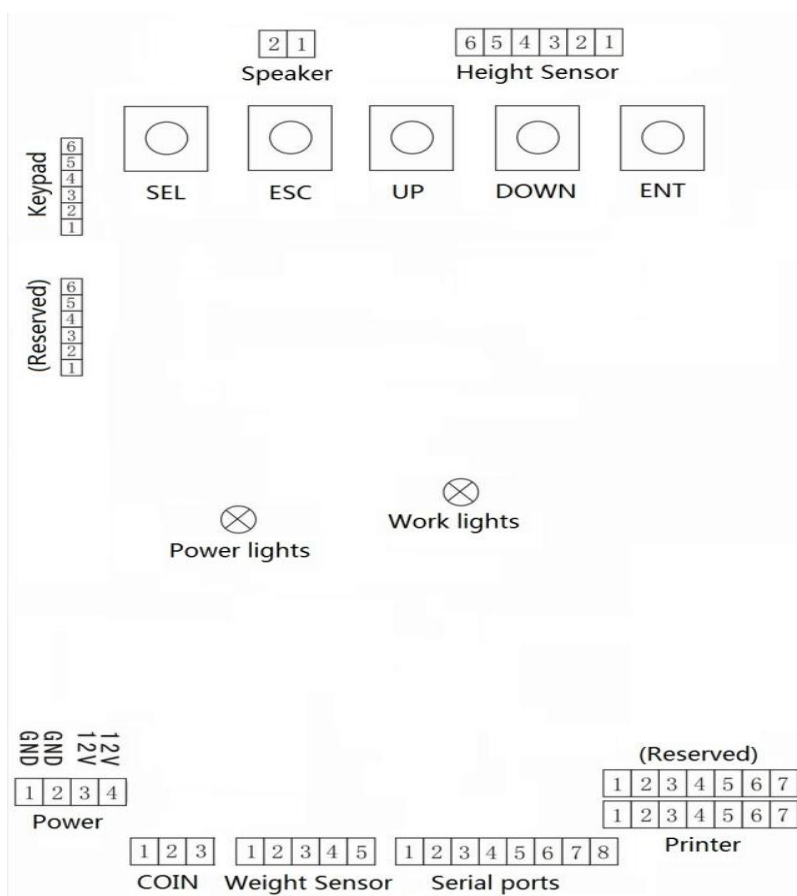
Range of Height: 20-200cm resolution: ±0.5cm

Power: AC 100V–240V

Standby power: 6W

External Dimensions(mm): 490×340×2350mm

Appendix I : Wiring Diagram



Attention: Kindly pay attention that the serial numbers on the socket of film keyboard must be respectively in accord with the serial numbers on the plug of film keyboard.

Appendix II : Printer installation and replacement of printing paper

1. Install the printer: Unscrew the printer a fixed nut, pull back the printer, you can check the status of printers and printer circuit.

2. Replace the printing: paper Loosen the nut on both sides of the dish, back pull-out paper scroll, screw on either side of the disc under the nut, and put on paper rolls