

# 10ft container AC coupled ESS

30KW/50KW/100KW Energy Storage System



## Features

- Outdoor rated
- Built-in bi-directional storage Power Conversion System
- Grid-support&grid-forming
- Flexible energy
- Pre-engineered system

## Application Scenario



PV station



Wind power station



Frequency regulation

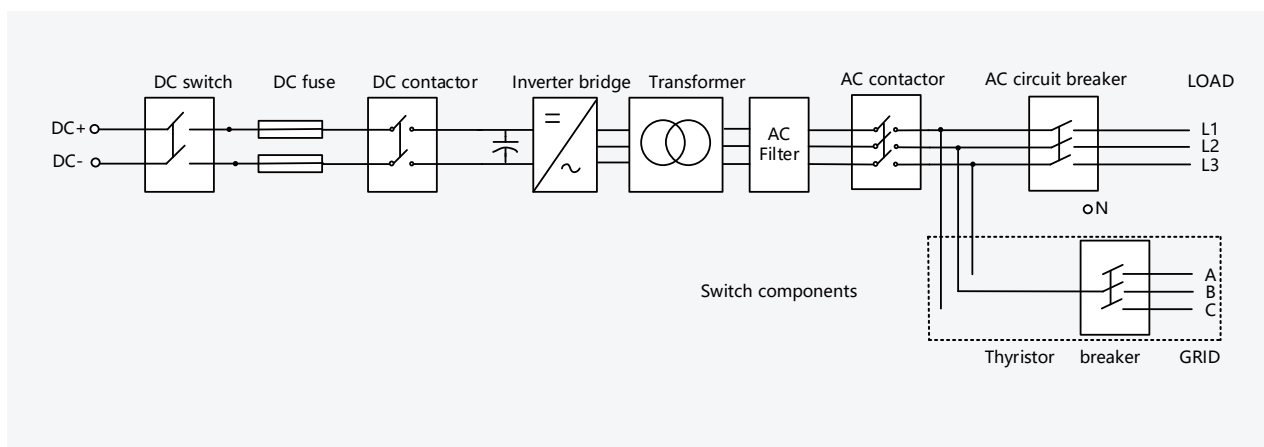


Grid side



Industrial and commercial

## Product Topology



Model	AESS30-xxx	AESS50-xxx	AESS100-xxx
<b>AC(on-grid)</b>			
Max. output power	33kVA	55kVA	110kVA
Rated power	30KW	50KW	100KW
Rated voltage	400V		
Voltage range	320V-460V		
Rated current	43A	72A	144A
Max. output current	48A	80A	160A
Rated frequency	50/60Hz		
Frequency range	45-55/55-65Hz		
THDI	<3%		
PF	1lagging-1leading		
AC connection	3W+N+PE		
<b>AC(off-grid)</b>			
Rated voltage	400V		
THDU	< 1% linear <5% non-linear		
Rated frequency	50/60Hz		
Overload capability	110%-continous		
<b>Battery Requirement</b>			
Max Capacity	TBD by Battery System (up to 300kwh)		
Chemical	Lithium ion based		
Voltage Range	150V-850Vdc/320V-850Vdc		
Max Charging/Discharging Current	232A/385A/362A		
Crate	TBD by Battery System (less than 1C) 2C Discharging for 15min determined by Battery System		
<b>Physical</b>			
Cooling	Forced air cooling for power electronics. Air conditioned for battery system with heater and dehumidifier, 3kW *1 or 2		
Noise	70dB		
Enclosure	NEMA 3R		
Max elevation	3000m/10000 feet (> 2000m/6500 feet derating)		
Operating ambient temperature	-20°C to 50°C(De-rating over 45°C)		
Humidity	0~95%(No condensing)		
Aux power	220 or 120v single phase built-in, 3kW*2transformer		
Size (WxHxD)	2991×2591×2438mm		
Weight	TBD		
<b>Fire system</b>			
Delays	Configurable		
Manual release	Supported		
Voltage	230/115V AC		
Back up battery	Two 12V 7Ah lead acid in series		
Sensors	Smoke detector and heat detector		
Alarm	Yes		
<b>Communication</b>			
Display	Touch screen LCD		
BMS interface	RS485/CAN		
Device interface	RS485, TCP/IP		
Certifi cates	CE, TUV		