



LAN Transformer



Feature

- Available in SMD and DIP Packages.
- Ethernet speed up to 10G bit/s.
- Compliant with standards: IEEE 802.3u, 802.3ab, 802.3af, 802.3at and 802.3bt.
- PoE/PoE+.
- Temperature ranges from -40°C up to 105°C.

Application

- Compatible to Industrial Ethernet systems like Net CAT or Industrial switchboard.
- Hubs, Routers, Switches, IP cameras, IoT applications and Smart Terminals.

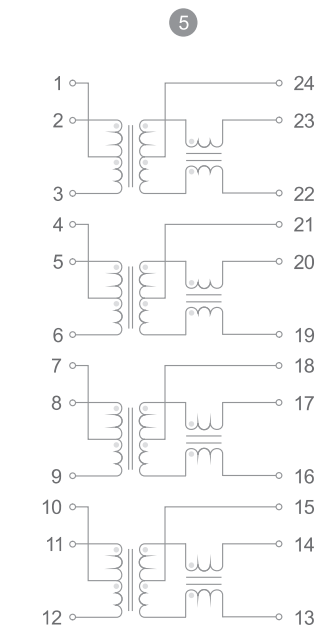
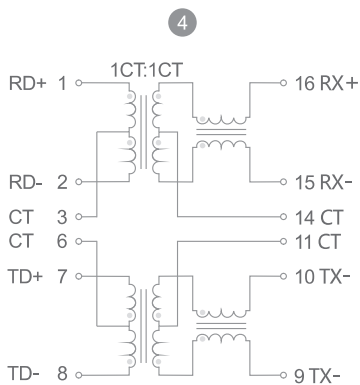
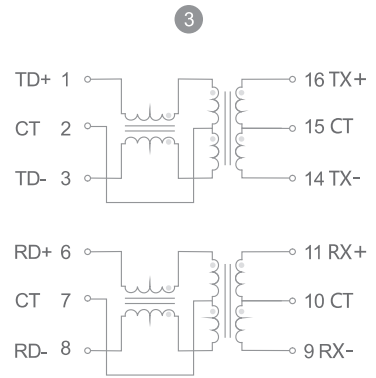
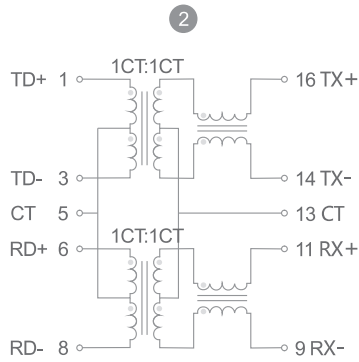
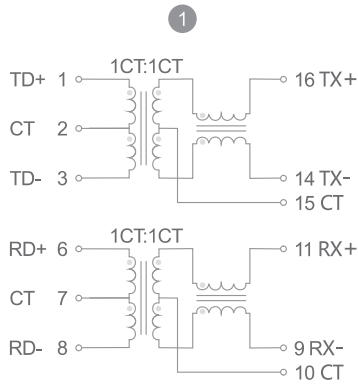
Electrical Characteristics

Inductance (uH)	350 Min	100KHz/100mV@8mA
Hi-Pot	1500VRMS	60 Sec.
Turn Ratio	1:1	±5%
Insertion Loss	-1.1dB	100KHz ~ 100MHz
Return Loss	-18dB Min.	1MHz ~ 30MHz
	-14dB Min.	30MHz ~ 60MHz
	-12dB Min.	60MHz ~ 80MHz
	-10dB Min.	80MHz ~ 100MHz
Cross Talk	-40dB Min.	1MHz ~ 60MHz
	-35dB Min.	60MHz ~ 100MHz
DCMR	-38db Min.	1MHz ~ 30MHz
	-35dB Min.	30MHz ~ 60MHz
	-30dB Min.	60MHz ~ 100MHz

Electrical Characteristics

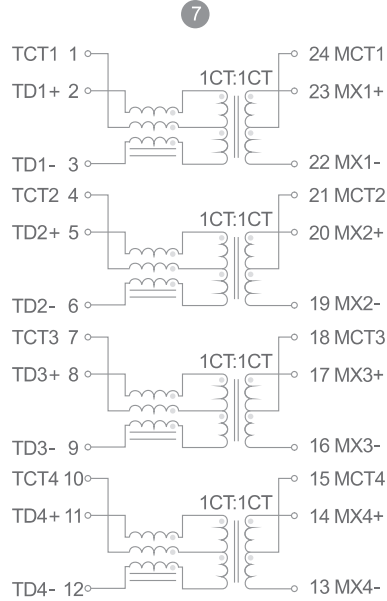
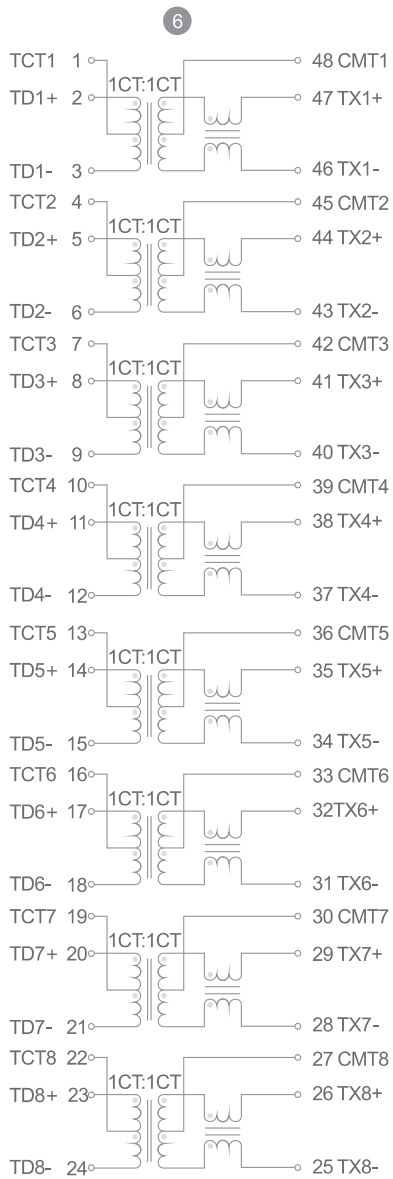
Part Number	Pack-age	Speed	Operating Temperature	Ports	PoE (mA)	Schem-atic	Land Pattern
LK16037G	SMD	10M/100M	-40°C~+85°C	1	350	1	1
LT2DS1A11B	SMD	10M/100M	0°C~70°C	1	720	2	1
LT2DS1C11BC	SMD	10M/100M	-40°C~+85°C	1	350	3	1
LT2LS1A11	SMD	10M/100M	0°C~70°C	1	Non	4	1
LK17509G	SMD	100M/1000M	-40°C~+85°C	1	Non	5	2
LT2DS2C11BC	SMD	100M/1000M	-40°C~+85°C	1	Non	5	2
LT2DS2A21	SMD	100M/1000M	0°C~70°C	2	Non	6	3
LT2DS2C15A	SMD	100M/1000M	-40°C~+105°C	1	3000	7	4
LT2DS7C12B	SMD	10G	-40°C~+85°C	1	720	7	5

Schematics





Schematics



Land Pattern(Unit:mm)

