



◆ Feature

- ◇ 16A switching capacity
- ◇ Hermetic Relay
- ◇ Small size, PCB mounting
- ◇ Excellent electric life and reliability
- ◇ Withstand impulse current 350A / 2ms
- ◇ Environmentally friendly products(Accord RoHS)
- ◇ Drawing:25.4mm 20.2mm 10.2mm

◆ Contact Capacity

Type	WJ32M
Rated Road	16A 250VAC
Max.switching current	16A
Max.switching voltage	277VAC
Max.switching power	4432VA

◆ General Spcification

Contact Material	Silver alloy	
Contact resistance	20mΩ Max.	
Operate time	15ms. Max.	
Release time	15ms. Max.	
Insulation Resistance(initial)	1,00MΩ Min. (DC500V)	
Dielectric Strength	Contact-contact:AC1, 000V; 50/60Hz 1min	
	Contact-coil:AC4, 000V; 50/60Hz 1min	
Creepage and dearance distance (coil contact)	10~55Hz, 1.5mm DA	
Vibration resistance	Durability	100G min
	Malfunction	10G min
Shock resistance	Mechanical life(3600 cycles/Hour)	1,000,000 cycles
	Electrical life(360 cycles/Hour)	50,000 cycles
Expected Life	-40°C~+85°C	
Ambient temperature	5°C~+85%RH	
Weight	12g	

◆ Coil Data(at 20°C)

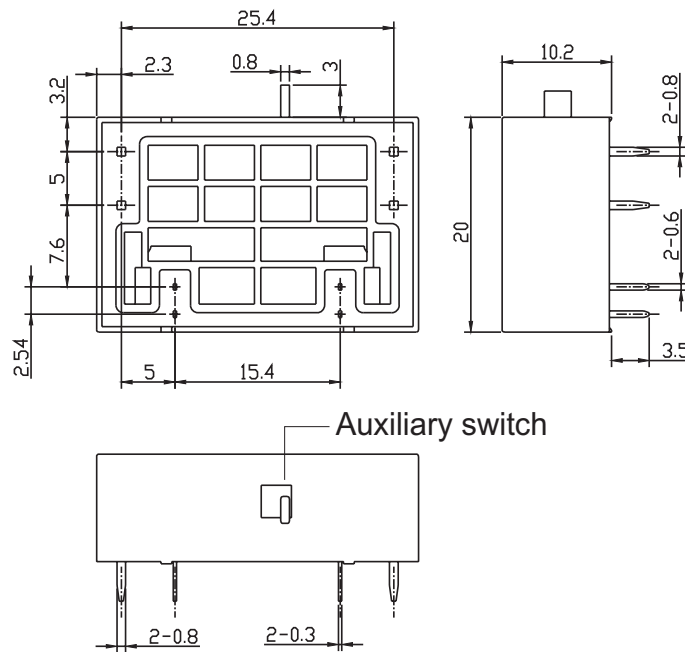
standard type

Nominal voltage (VDC)	Coil Resistance 10% (Ω)		Min.Set/Reset voltage(Max) (VDC)	Pulse duration (ms)	Coil power
	Single coil	Dual coil			
5	25	12.5 12.5	70% nominal voltage	100min	Single/Dual 1W/2W
6	36	18 18			
9	81	40.5 40.5			
12	144	72 72			
24	576	288 288			
48	2304	1152 1152			

◆ Ordering information

WJ32C	-1	12	D	M	2	R	Polarity: R-Positive polarity; No-Reverse polarity
							Coil sort: 1-Single coil, 2-Dual coil.
							Contact arrangement : M-Form A , B-Form B
							Coil type: D-standard type.
							Rated coil voltage(VDC):05,06, 09, 12, 24, 48
							Auxiliary switch : No-No ; 1-YES
Type: WJ32C, Contact Form: 2 Pole							

◆ Outline dimension(Unit : mm)

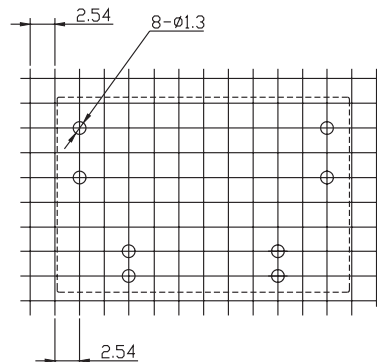
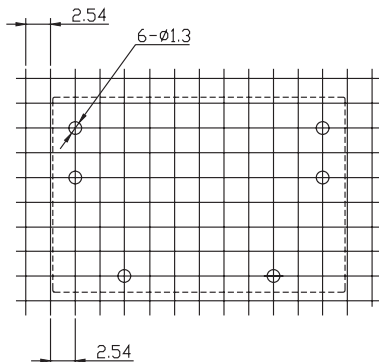


Remark : Unless otherwise specified , < 1mm : 0.2mm ; 1-5mm : 0.3mm ; > 5mm : 0.4mm .

◆ Installation diagram(tolerance 0.1mm)

Single coil

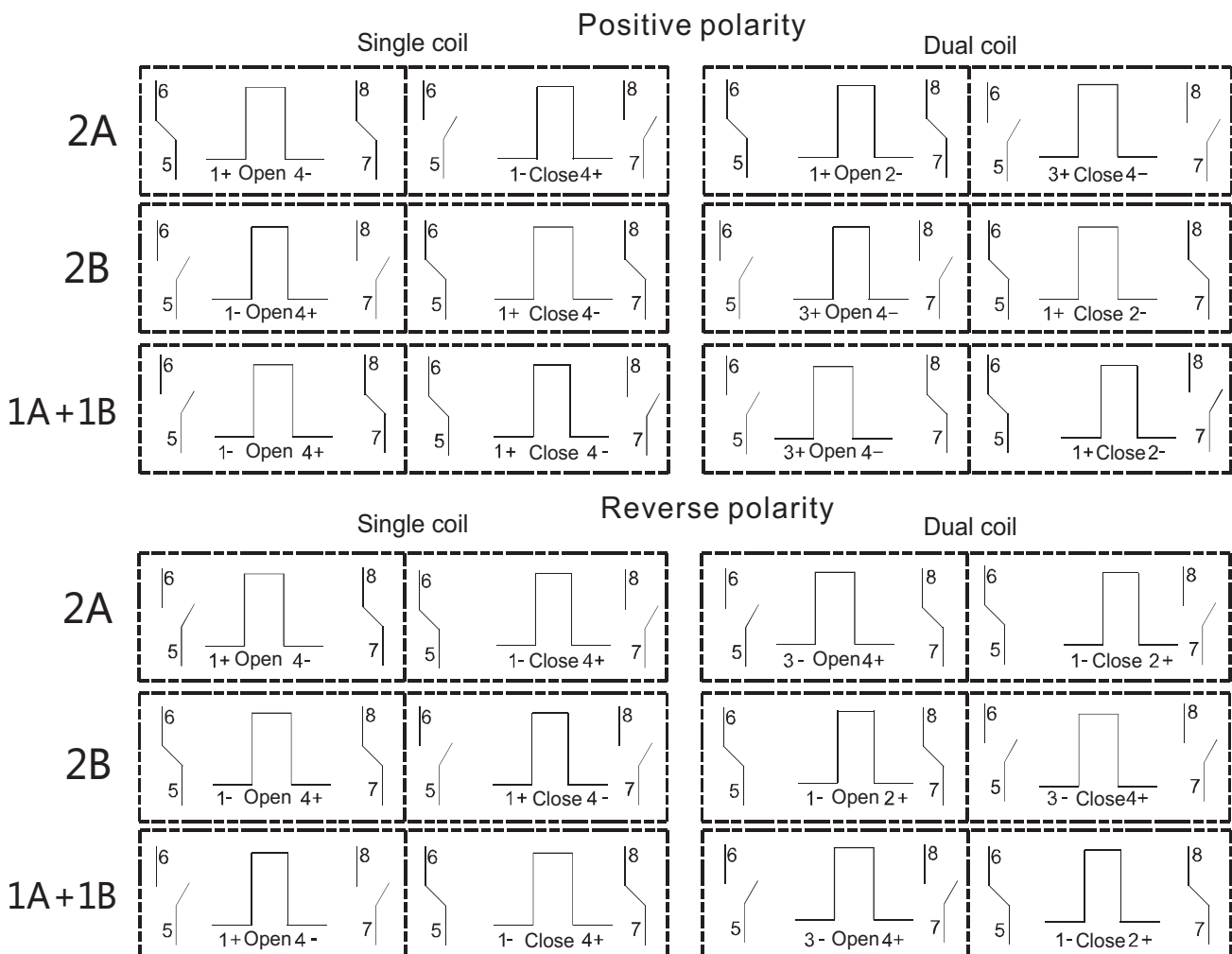
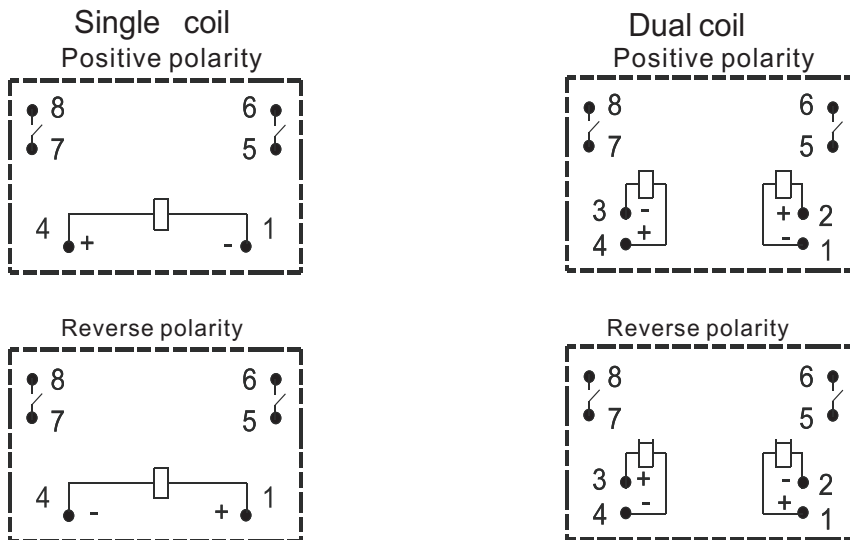
Dual coil.



◆ Typical Application

- ◇ remote control
- ◇ electrical power

◆ Wiring Diagram



Precautions :

1. The original position of latching relay is "closed" when shipping. It is possible that during transit or installation, the relay may change its state to be "open" position, it is recommended to set the relay in to state needed via apply voltage to the coil.
2. In order to let relay operate normally, the voltage which apply to the coil should reach to the rated voltage, the pulse width should be 50ms to 100ms; Do not energize both coil at the same time on Dual coil or energize the coil for longer than 1 minute.
3. Relay without copper wire, the terminal can not be soldered, bend, and rigid fasten both two terminals;
4. Keep away from corrosive gas and other condition which may damage the relay.