



◆ Feature

- ◇ 16A switching capacity
- ◇ Low power consumption, high load capacity.
- ◇ Small size, PCB mounting
- ◇ Excellent electric life and reliability
- ◇ Long service life
- ◇ Environmentally friendly products (Accord RoHS)
- ◇ Drawing: 29.1mm 25.45mm 12.8mm

◆ Contact Capacity

| Type | WJ32M-1P | WJ32M-2P |
|-----------------------|------------|-----------|
| Rated Road | 16A 250VAC | 5A 250VAC |
| Max.switching current | 16A | 5A |
| Max.switching voltage | 250VAC | 250VAC |
| Max.switching power | 4000VA | 1250VA |

◆ General Spcification

| | | |
|---|---|------------------|
| Contact Material | Silver alloy | |
| Contact resistance | 50mΩ Max. | |
| Operate time | 15ms. Max. | |
| Release time | 15ms. Max. | |
| Insulation Resistance(initial) | 1,000mΩ Min. (DC500V) | |
| Dielectric Strength | Contact-contact : AC750V ; 50/60Hz 1min | |
| | Contact-coil: AC2, 000; 50/60Hz 1min | |
| Creepage and dearence distance (coil contact) | 1P:500A/10ms; 2P: 200A/10ms | |
| Vibration resistance | 10~55Hz, 1.5mm DA | |
| Shock resistance | Durability | 100G min |
| | Malfunction | 10G min |
| Expected Life | Mechanical life(3600 cycles/Hour) | 1,000,000 cycles |
| | Electrical life(360 cycles/Hour) | 100,000 cycles |
| Ambient temperature | -40°C~+85°C | |
| Humidity | 5°C~+85%RH | |
| Weight | 16g | |

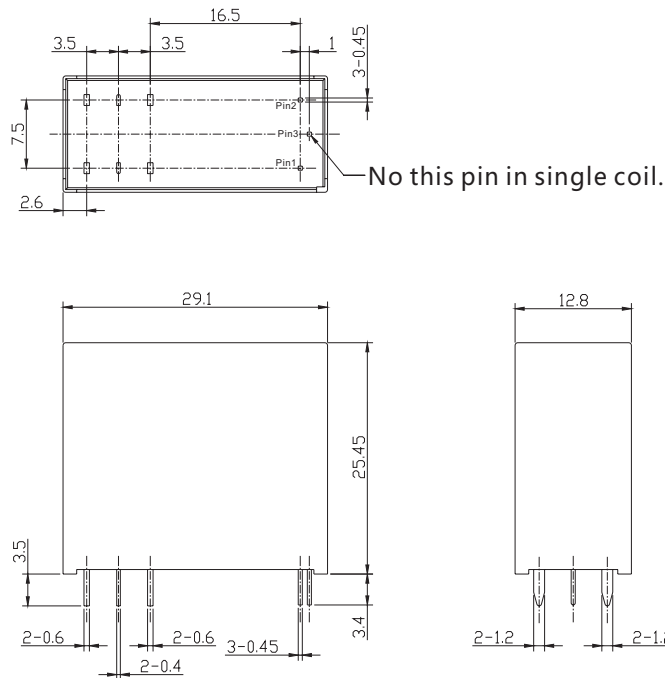
◆ Coil Data(at 20°C)

| Nominal voltage (VDC) | Coil Resistance 10% (Ω) | | Min.Set/Reset voltage(Max) (VDC) | Pulse duration (ms) | Coil power |
|-----------------------|-------------------------|-----------|----------------------------------|---------------------|--------------------------|
| | Single coil | Dual coil | | | |
| 5 | 25 | 12.5 12.5 | 70% nominal voltage | 100min | Single/Dual 1.0W/2.0W |
| 6 | 36 | 18 18 | | | |
| 9 | 81 | 40.5 40.5 | | | |
| 12 | 144 | 72 72 | | | |
| 24 | 576 | 288 288 | | | |
| 48 | 2304 | 1152 1152 | | | |

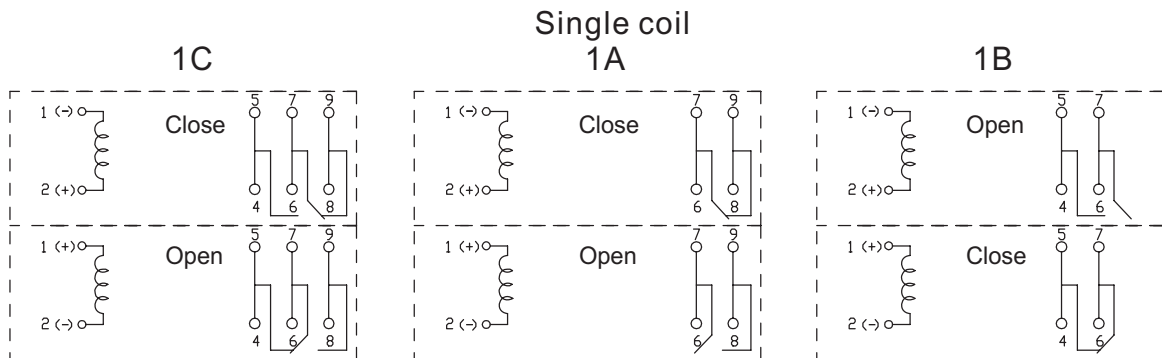
◆ Ordering information

| | | | | | | | |
|-------|----|----|----|---|---|---|--|
| WJ32M | -S | -1 | 12 | L | M | 1 | Coil sort: 1-Single coil, 2-Dual coil. |
| | | | | | | | Contact arrangement : No-Form C (switching) M-Form A (normal open) B-Form B (normal close) |
| | | | | | | | Coil type: D-standard type |
| | | | | | | | Rated coil voltage(VDC): 05, 06, 09, 12, 24, 48 |
| | | | | | | | Number of contact:1-1set ; 2-2set |
| | | | | | | | Seal type:S-plastic |
| | | | | | | | Type: WJ32M |

◆ Outline demension (Unit : mm)



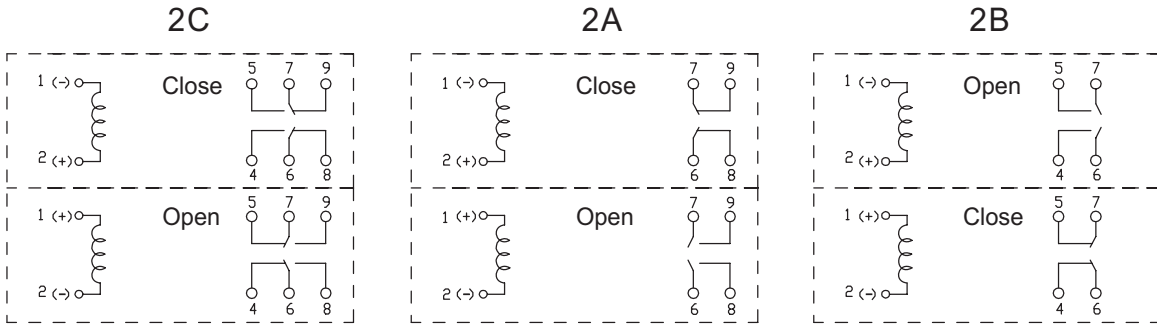
◆ Wiring Diagram



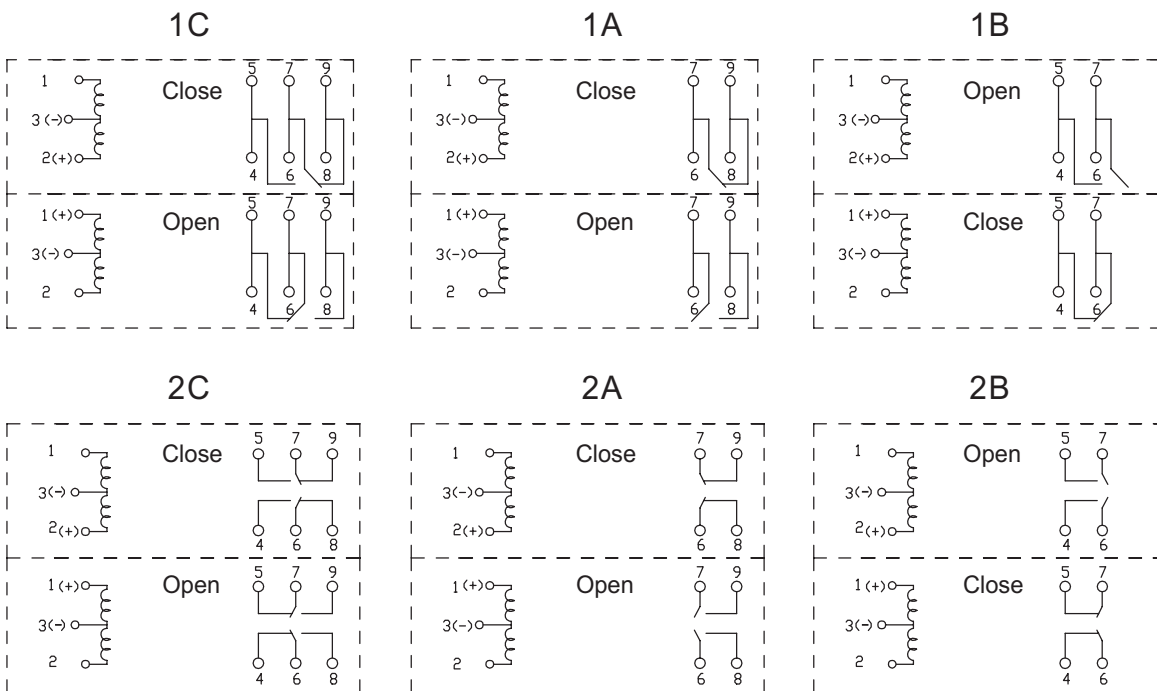
◆ Typical Application

- ◇ remote control
- ◇ electrical power

Single coil



Dual coil



Precautions :

1. The original position of latching relay is "closed" when shipping. It is possible that during transit or installation, the relay may change its state to be "open" position, it is recommended to set the relay in to state needed via apply voltage to the coil.
2. In order to let relay operate normally, the voltage which apply to the coil should reach to the rated voltage, the pulse width should be 50ms to 100ms; Do not energize both coil at the same time on Dual coil or energize the coil for longer than 1 minute.
3. Relay without copper wire, the terminal can not be soldered, bend, and rigid fasten both two terminals;
4. Keep away from corrosive gas and other condition which may damage the relay.