

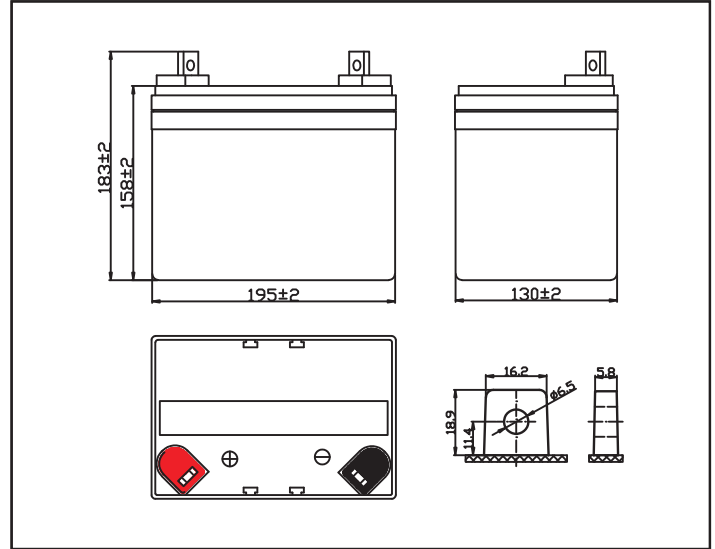
MODEL: U1-9(MF)

NO. 302010005-00238



Plane Chart:

Unit:(mm) Terminal type:(B8)



Parts:

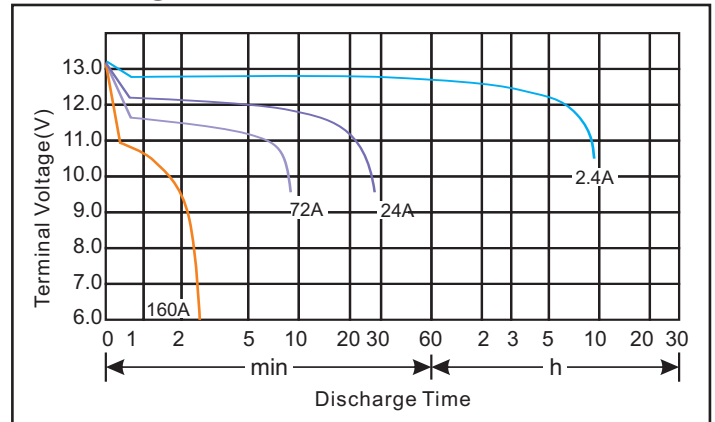
Executed Standard JISD 5302 -2004

Cover	Container Bottom	Terminal	Positive Plate	Negative Plate	Separator	Electrolyte	Safy Valve	Seal Glue
ABS	ABS	Pb	PbO2	Pb	AGM	dilute sulphuric acid	Rubber	Epoxy Resin

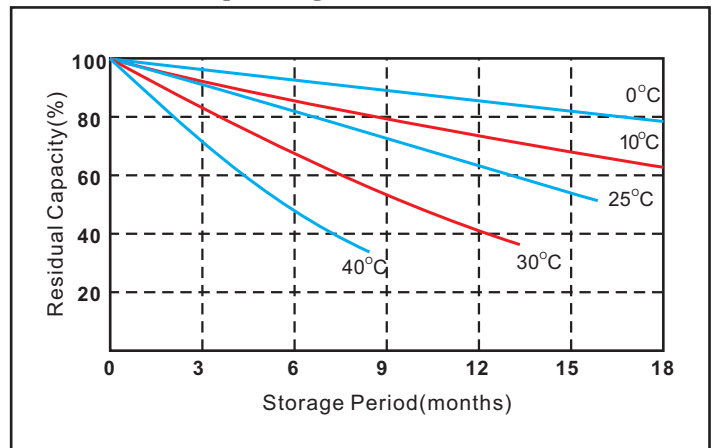
Parameter Chart:

Volts	12V	
Capacity (25°C)	10 hours rate	24Ah
Appx.Dimension (mm)	L±2	195
	W±2	130
	H±2	180
Storage Status	Wet	
Weight (Approx)	7.5Kg	
Retention of Charge Storage @25 C		
1 month	97%	Directly Mounted
3 month	90%	Directly Mounted
6 month	80%	Constant Volts:14.4V Limit Current:4.8A Charging Hours:2-3H
12 month	40%	Constant Volts:14.4V Limit Current:4.8A Charging Hours:4-6H
CCA	Factory Standard (-10°C)	Factory Standard (-18°C)
Discharging Current	160A	210A

Discharge Current 25°C



Residual Capacity



★The above are average and data obtained from the first 3 charge/discharge cycles. These are not minimum values.

★The different item No. of battery can be developed according to the customer's demand.