



HL9901

3-phase Intelligent Power Module

Overview

The HL9901 of integrated 3-phase half-bridges dramatically simplifies the development and production of high-voltage inverter driven brushless DC motor drives. It incorporates six high-voltage N-channel power MOSFETs with three low and high-side drivers for each phase in a single small-outline package. The internal power MOSFETs offer fast recovery body diodes to minimize EMI and switching losses. The build-in high speed HVIC only requires a single power supply and translates the incoming logic-level gate inputs to the high voltage high current drive signals required to properly drive the internal power MOSFETs. The HL9901 also provide multiple on-module protection features including under voltage protection, over current protection, over temperature protection and fault reporting.

Features

- Built-in high-performance power MOSFET
- Integrated bootstrap diodes
- CMOS-compatible input (3.3V or 5V)
- Built-in dead time to avoid cross-conduction
- Under voltage protection for both high side and low side
- Internal over current protection
- Internal over temperature protection
- FO output for fault indication and shutdown function
- Isolation Rating of 1500Vrms/1min

Applications

- Fan motor and pump motor for washer and dryer
- Fan motor for air conditioner, air purifier, and electric fan
- General purpose inverter

Typical Application Diagram

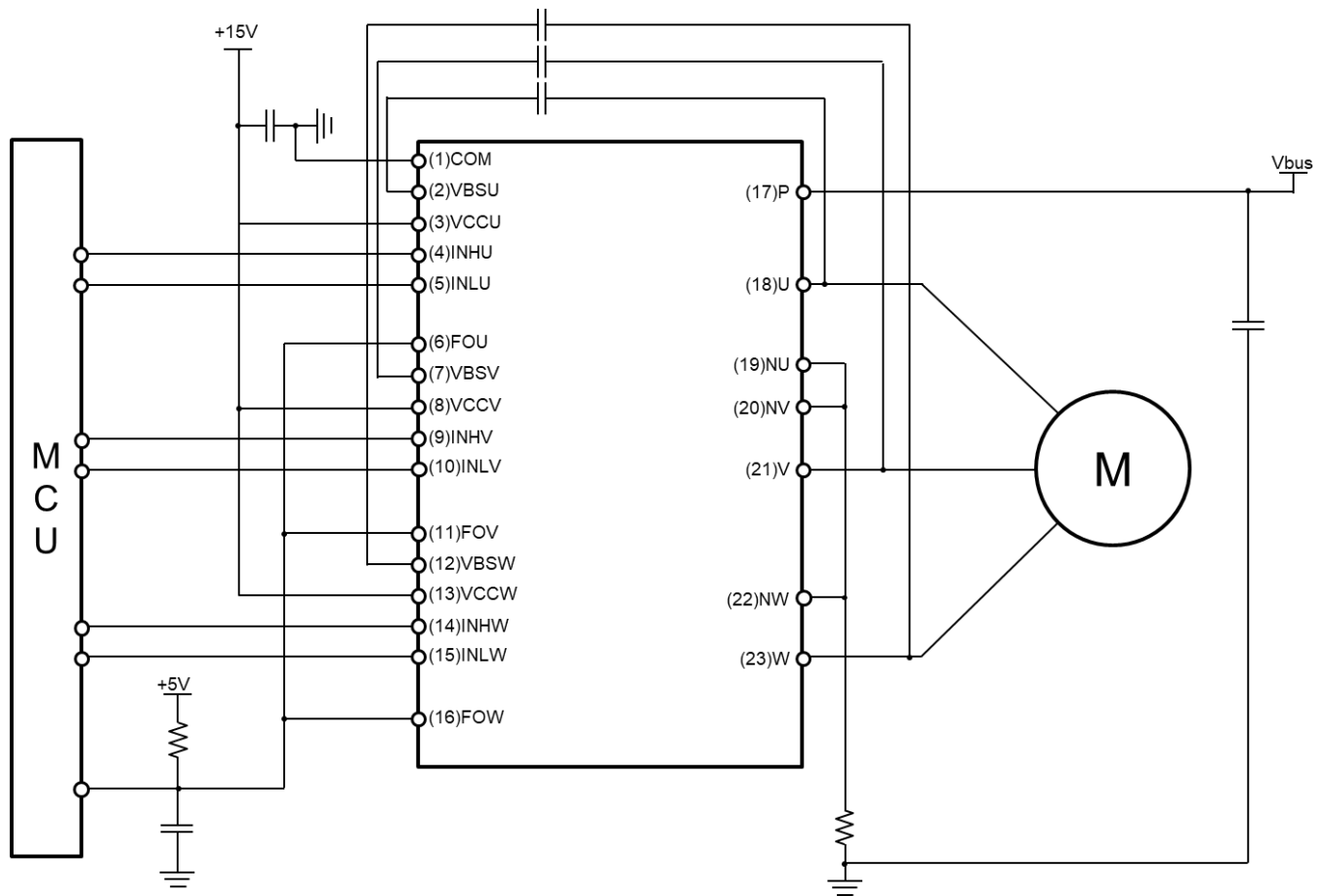


Figure 1. Simplified Application Diagram

Ordering Information

Part Number	V _{DSS}	I _o	Package	Packing Method	Quantity
HL9901SC01	600V	4A	SOP23	Tube	17

Important Notice

Halo Microelectronics reserves the right to modify, improve, and terminate its products, services, documentations, etc. without advance notice. Customers are encouraged to contact Halo Microelectronics sales representatives to get the latest product information.

Without proper legal authorization, Halo products shall not be used for medical or military applications. Halo Microelectronics does not assume any liability of personal or property damages of any kind due to such applications.

All text, images, trademarks of this document, and any intellectual property contained in the product and in this document belong to Halo Microelectronics Co. Ltd. No part of this document may be used, copied, modified, distributed, or published without legal authorization from Halo Microelectronics.

© 2023 Halo Microelectronics. All rights reserved. www.halomicro.cn