



## Features:

- RGB 3 in 1 Full color LED Pixel Light
- Individually addressable LED Pixels, You can set any color by a smart controller
- Available for custom length, standard version is 100mm pitch.
- Each Pixel can achieve 16,777,216 full color display and scan frequency not less than 400Hz
- AWG 18 wires ,waterproof plug
- 12V/24V DC Voltage supply
- Can be join together
- Can be cuttable each LED
- Strong waterproof for outdoor projects.
- SPI/DMX512 Protocol

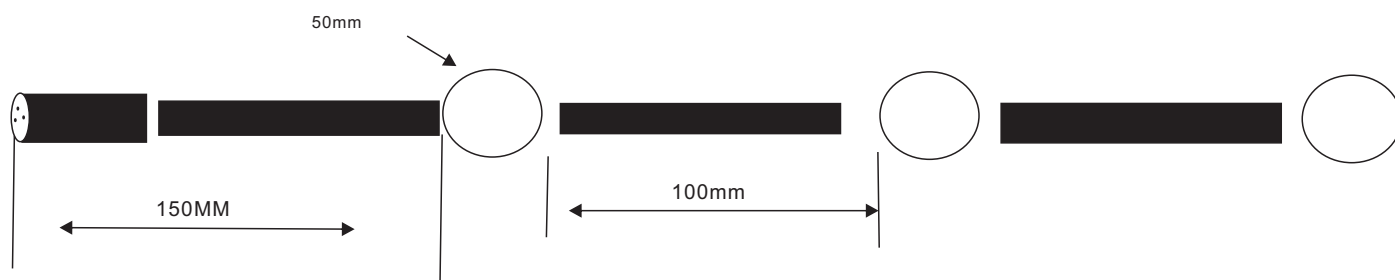
## Specifications

Model number	KT-B50-RGB	KT-B50-512
Voltage	DC12V	DC24V
Power	0.72W	0.72W
IC Chip	SPI	DMX512
IP Rate	Ip66	Ip66
Color	RGB	RGB

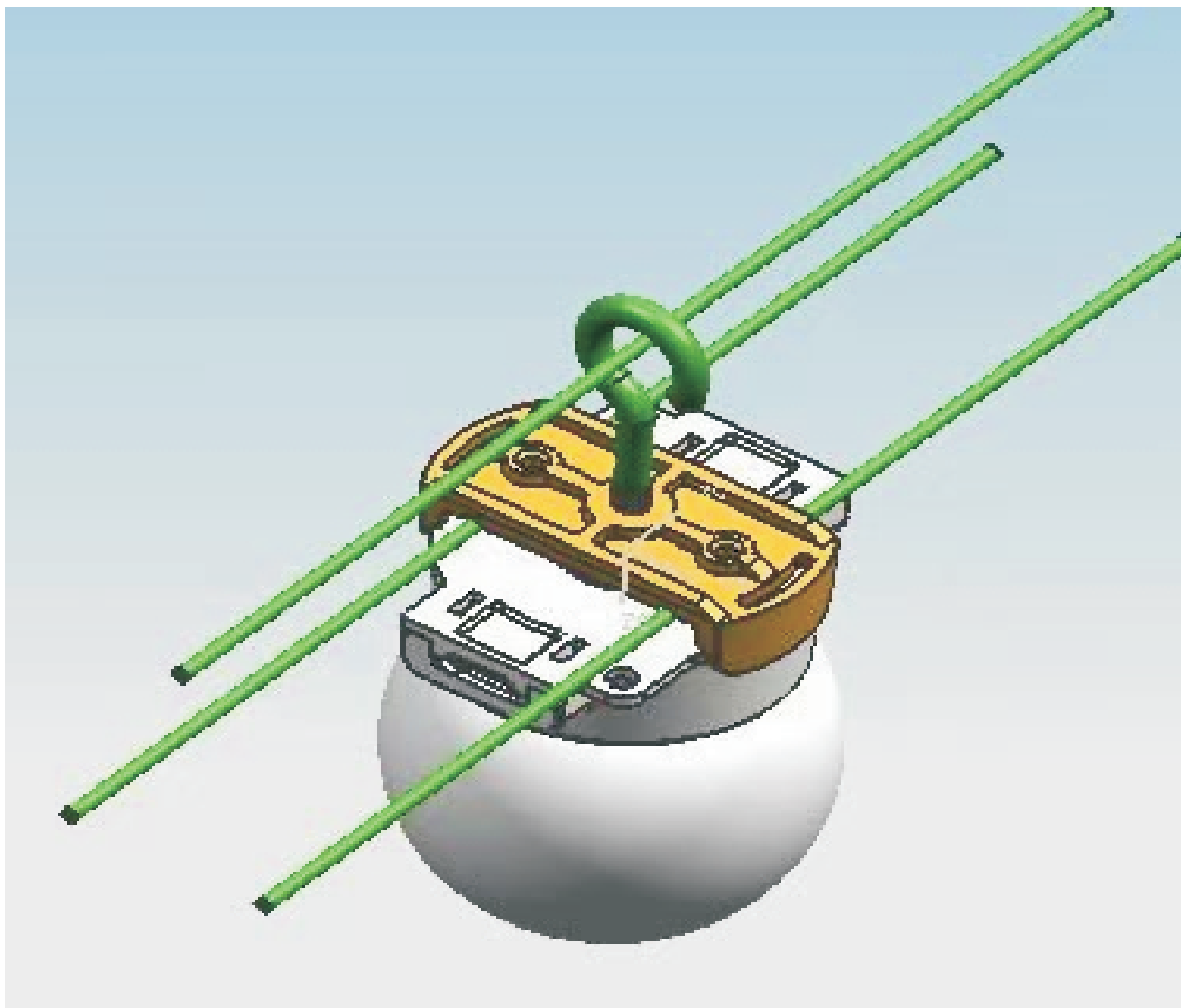
## Notice:

- DO NOT connect the wrong voltage.
- DO NOT connect V+ V- wrong or touch together
- PLEASE USE CORRECT CONTROLLER to work with the pixels

## Dimension:



## Installation



KINGTAR TECHNOLOGY CO., LIMITED

[www.kingtar-led.com](http://www.kingtar-led.com); Email: [service@kingtar-led.com](mailto:service@kingtar-led.com)