

Features:

- RGB 3 in 1 Full color LED Pixel Light
- Individually addressable LED Pixels, You can set any color by a smart controller
- Available for custom length, standard version is 100mm pitch.
- Each Pixel can achieve 16,777,216 full color displa and scan frequency not less than 400Hz
- AWG 18 wires ,waterproof plug
- 5V/12V DC Voltage supply
- Can be join together
- Can be cuttable each LED
- Strong waterproof for outdoor projects.
- WS2811/UCS1903 Protocol

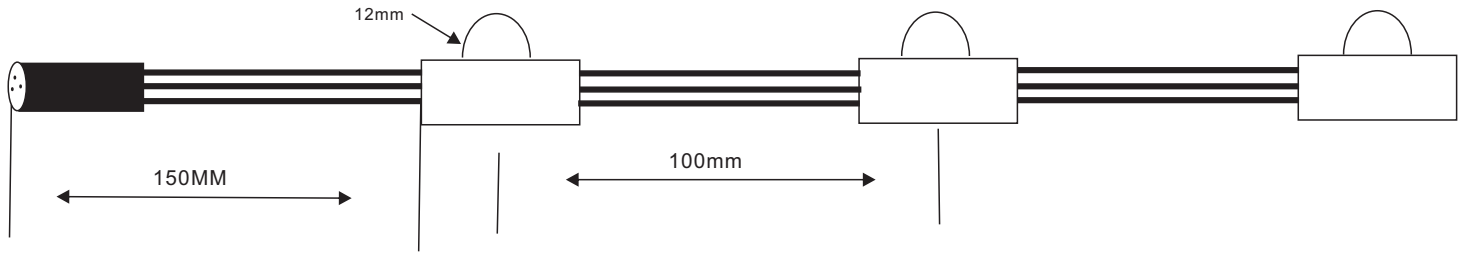
Specifications

Model number	KT-F12RGB-5	KT-F12RGB-12
Voltage	DC5V	DC12V
Power	0.3W	0.6W
IC Chip	SPI	SPI
IP Rate	Ip66	Ip66
Color	RGB	RGB

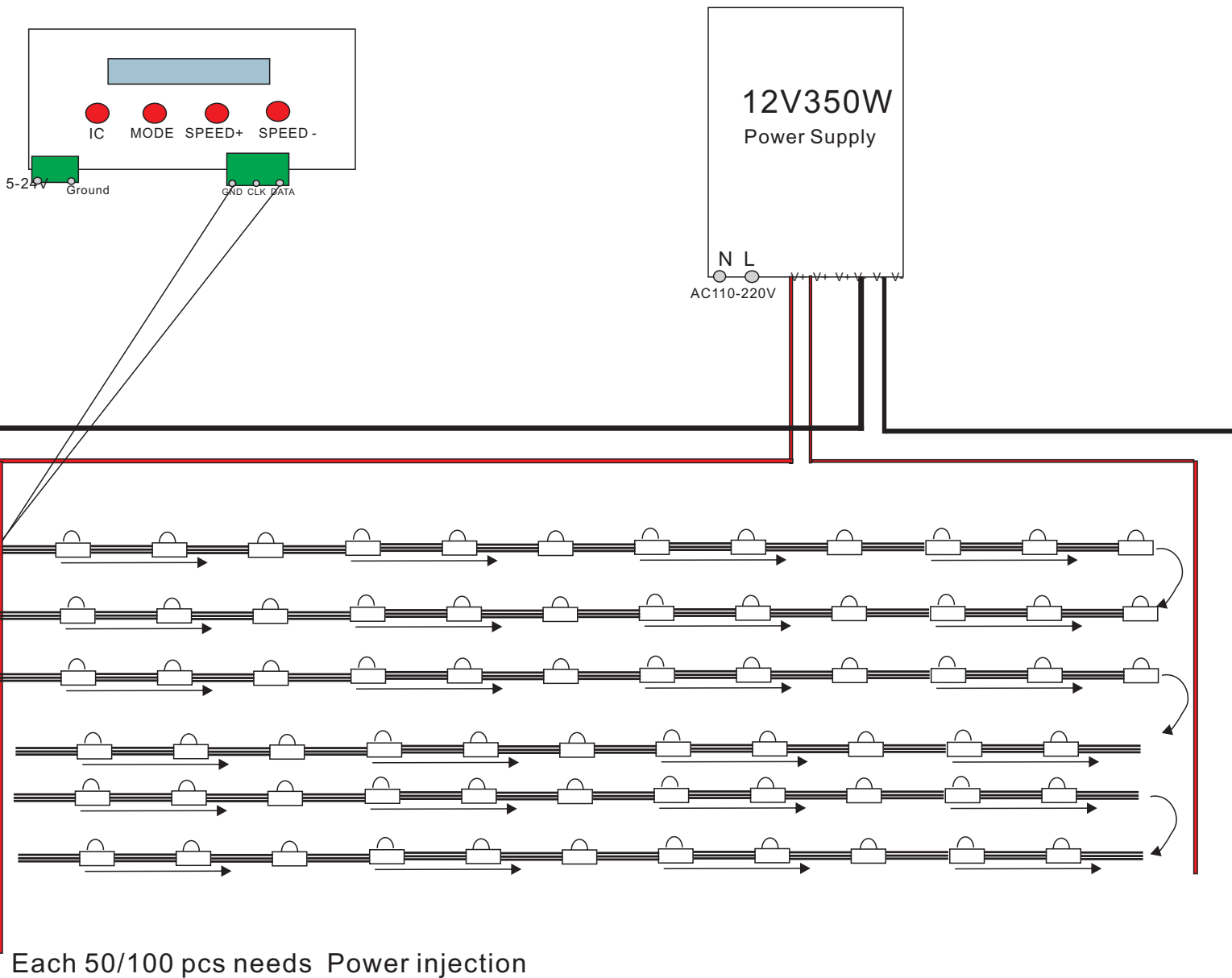
Notice:

- DO NOT connect the wrong voltage.
- DO NOT connect V+ V- wrong or touch together
- PLEASE USE CORRECT CONTROLLER to work with the pixels

Dimension:



Connection



KINGTAR TECHNOLOGY CO., LIMITED

www.kingtar-led.com; Email: service@kingtar-led.com