

CNB 系列 / CNB SERIES



PRODUCT INFORMATION/ 产品信息

Pump Design/产品名称: Solenoid(Piston) Pump/电磁水泵
 Insulation/绝缘等级: Class H
 Net Weight/产品净重: 0.450Kg
 Outlet Connector/出水接口: G1/8Thread/G/8 螺纹

LABORATORY TEST CONDITION/ 工作条件

- Ta within 80°C, Tf within 72°C / Ta: 80°C以下, Tf: 72°C以下
- ED100%: work continuously or 2 minutes on/1 minute off / ED100%: 持续工作或2分钟开/1分钟关
- Ta: Ambient temperature / Ta: 环境温度
- Tf: Temperature of fluid water / Tf: 流体温度

APPLICATIONS/ 应用领域

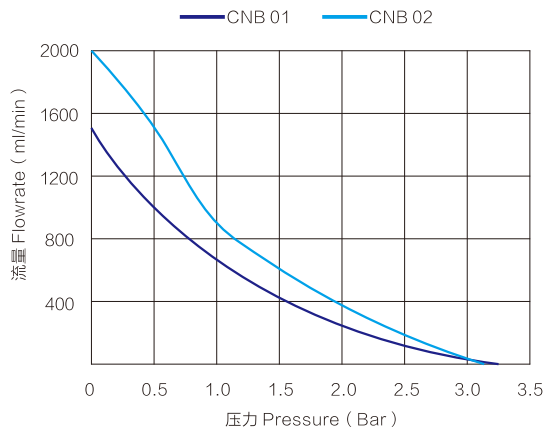
Floor Cleaner、Carpet Cleaner、Agricultural Precision Irrigation
 地板/地毯清洁机、农业精密滴灌类

Self-priming at 0 BAR (PSI), except SV type Suitable to dry-use only during priming
 仅无背压下自吸, SV系列除外, 仅允许在上水启动时短时干抽

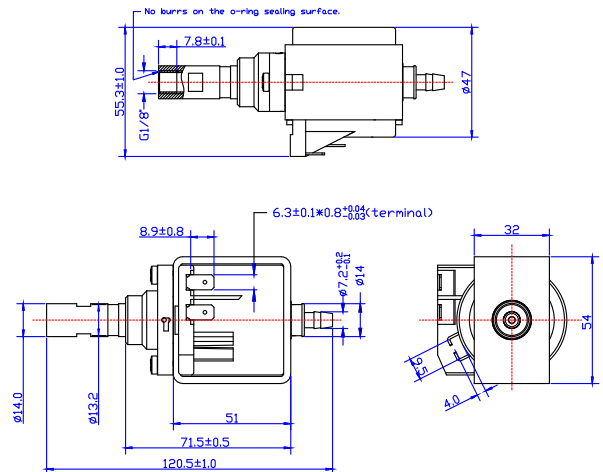
型号 / Model	CNB 01	CNB 02
流量 / Flowrate (ml/min)	1500	2000
最大压力 / Max Pressure (bar)	3.5	
功率 / Power (W)	40	
噪音 / Noise (dB)	60	
工作方式 / Duty Cycle	Ed100% or 2 minutes on/1 minute off 持续工作或2分钟开/1分钟关	
电压规格 / Voltage	220-240V/50-60Hz, 120V/60Hz, 100V/50-60Hz	
产品认证 / Product Certificate	RoHS、REACH、FDA、TUV、UL、CQC	

Performance Curve/ 性能曲线

测试条件: 水温20°C, 室温25°C。所有参数公差为±15%, 仅供参考。
 Test Condition: Water temperature 20°C, Indoor temperature 20°C. The tolerance range of all the parameters is ±15%. Just for reference.



Mechanical Drawing & Dimension/ 外型尺寸



Dimensions/ 单位: millimeters/ 毫米