

蠕动泵 / Peristaltic pump

PEP-6 系列 / PEP-6 SERIES

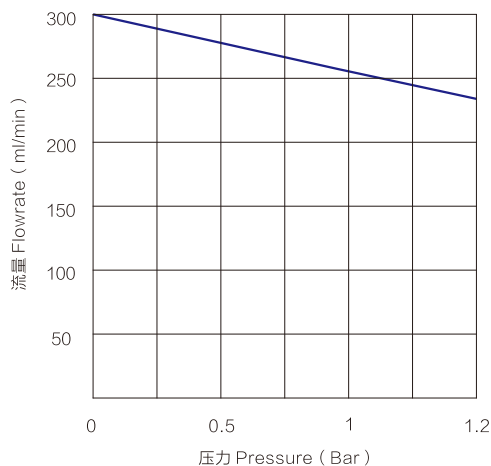


型号 / Model	PEP-6
流量 / Flowrate (ml/min)	50-450
是否有脉冲数 / Whether There Are pulse signal	无 / No
最大压力 / Max Pressure(bar)	≥ 1.2
功率 / Power(W)	6
噪音 / Noise(dB)	<62
工作方式 / Duty Cycle	ED 100% or work as specified 连续工作或按指定工作方式
电压规格 / Voltage	DC 6~24 V
产品认证 / Product Certificate	RoHS, FDA, REACH

注：有脉冲数可以直接用PCBA计算出流量。
Note: With the number of pulses, the flow can be calculated directly with PCBA

Performance Curve/ 性能曲线

测试条件：周围温度（20~25℃） 相对湿度（65% ± 15%）
使用流体（20~25℃的水）测试电压（DC 12V）
Test Condition: Ambient temperature (20~25℃), Relative humidity (65% ± 15%)
Use Liquid (Water 20~25℃), Test voltage (DC 12V)



PRODUCT INFORMATION/ 产品信息

Pump Design/产品名称: Peristaltic Pump/蠕动泵
Insulation/绝缘等级: Class A
Net Weight/产品净重: 0.0827Kg
Outlet Connector/出水接口: Barb port/倒扣

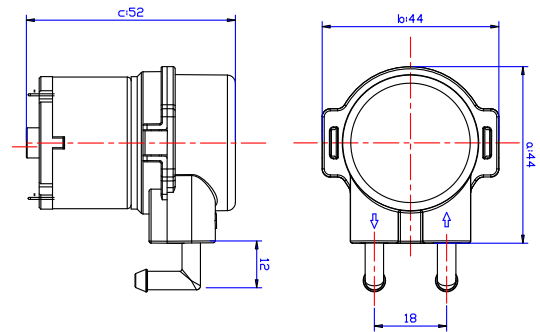
LABORATORY TEST CONDITION/ 工作条件

- Ta within 50℃, Tf within 60℃ / Ta: 50℃以下, Tf: 60℃以下
- ED 100% or work as specified /连续工作或按指定工作方式
- Ta: Ambient temperature / Ta: 环境温度
- Tf: Temperature of fluid water / Tf: 流体温度

APPLICATIONS/ 应用领域

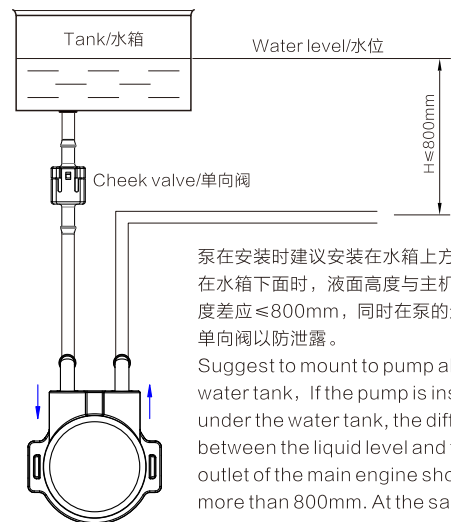
Sweeping Robot, Steam Mop, Intelligent Cooking Machine, Food Processor
扫地机器人、蒸汽地拖、智能炒菜机、实物料理机

Mechanical Drawing & Dimension/ 外型尺寸



Dimensions/ 单位: millimeters/ 毫米

Mounting Description/ 安装说明



泵在安装时建议安装在水箱上方，若泵安装在水箱下面时，液面高度与主机出水口的高度差应≤800mm，同时在泵的进水口接一个单向阀以防泄露。

Suggest to mount to pump above the water tank, If the pump is installed under the water tank, the difference between the liquid level and the water outlet of the main engine should be no more than 800mm. At the same time, connect a check valve at the inlet of the pump to prevent leakage.

蠕动泵
Peristaltic Pump