

蠕动泵 / Peristaltic pump

PEP-2H 系列 / PEP-2H SERIES



型号 /Model	PEP-2H
流量 / Flowrate (ml/min)	350-550
最大压力 /Max Pressure(bar)	≥1.2
功率 /Power(W)	10
噪音 / Noise(dB)	≤65
工作方式 /Duty Cycle	ED 100% or work as specified 连续工作或按指定工作方式
电压规格 /Voltage	DC 12-24V
产品认证 /Product Certificate	RoHS、FDA、REACH

PRODUCT INFORMATION/ 产品信息

Pump Design/产品名称: Peristaltic Pump/蠕动泵
 Insulation/绝缘等级: Class B
 Net Weight/产品净重: 0.11038Kg
 Outlet Connector/出水接口: Barb port/倒扣

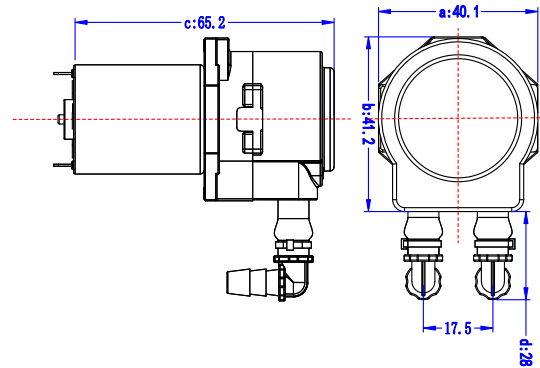
LABORATORY TEST CONDITION/ 工作条件

- Ta within 50°C, Tf within 60°C /Ta: 50°C以下, Tf: 60°C以下
- ED 100% or work as specified /连续工作或按指定工作方式
- Ta: Ambient temperature/Ta: 环境温度
- Tf: Temperature of fluid water/Tf: 流体温度

APPLICATIONS/ 应用领域

Health Care、Domestic Appliance、Chemical Engineering
 医疗、家电、化工

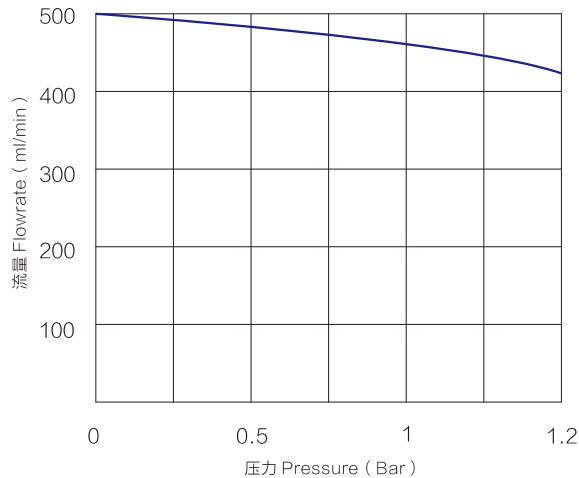
Mechanical Drawing & Dimension/ 外型尺寸



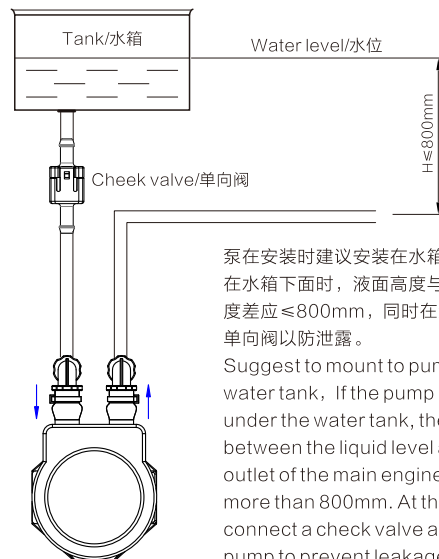
Dimensions/ 单位: millimeters/ 毫米

Performance Curve/ 性能曲线

测试条件: 周围温度 (20°C ± 5°C) 相对湿度 (65% ± 15%)
 使用流体 (20-25°C的水) 测试电压 (DC 20V)
 Test Condition: Ambient temperature (20°C ± 5°C), Relative humidity (65% ± 15%)
 Use Liquid (Water 20-25°C), Test voltage (DC 20V)



Mounting Description/ 安装说明



泵在安装时建议安装在水箱上方, 若泵安装在
 在水箱下面时, 液面高度与主机出水口的高
 度差应 ≤ 800mm, 同时在泵的进水口接一个
 单向阀以防泄露。

Suggest to mount to pump above the
 water tank, If the pump is installed
 under the water tank, the difference
 between the liquid level and the water
 outlet of the main engine should be no
 more than 800mm. At the same time,
 connect a check valve at the inlet of the
 pump to prevent leakage.

蠕动泵
 Peristaltic Pump