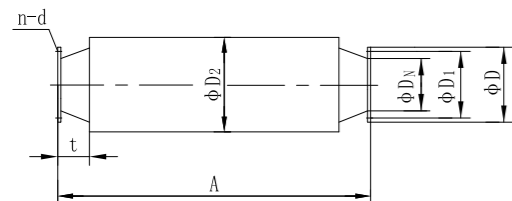


特殊附属品

Special Accessories

KM系列消声器 Series KM Silencer



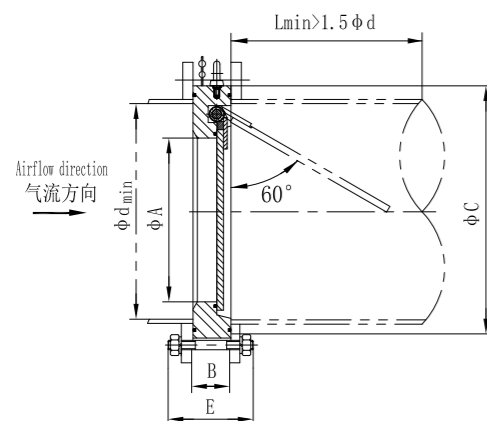
消声器型号 Type	消声器外型尺寸 Size						n-d
	DN	D1	D	D2	A	t	
KM-600	600	725	780	1000	4500	110	20-φ 29
KMD-700	700	840	895	1100	4500	110	24-φ 29

注：适用于ZL103WD~ZL105WDP型风机。
Notes: Applied to type ZL103WD~ZL105WDP blower.

DCV(P) 型单向阀 Type DCV(P) Non-Return Valve

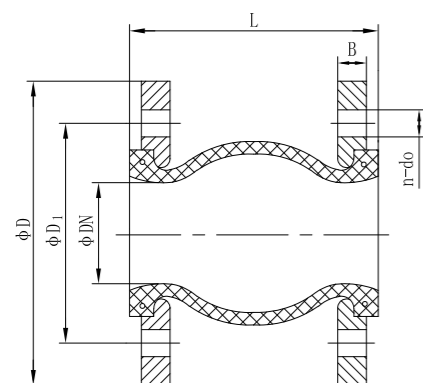
DCV型单向阀适合于输送介质为空气的工况；
DCV-P型单向阀适合于输送介质为半水煤气的工况。

DCV Non-Return Valve is applied to transport the air in the operation mode, and DCV-P Non-Return Valve to transport the semiwater gas.



型号 Type	口径 Bore	dmin	A	B	C	E	重量 (kg) Weight
DCV-200LF	200 ^A	200	160	23	260	120	8.0
DCV-250LF	250 ^A	250	193	23	315	130	22.4
DCV-300LF	300 ^A	292	226	23	368	140	34.6
DCV-350(P)	350 ^A	350	255	80	420	200	49.6
DCV-400(P)	400 ^A	405	300	80	470	200	64.2
DCV-450(P)	450 ^A	450	345	80	520	200	78.4
DCV-500(P)	500 ^A	500	387	80	570	200	88.7
DCV-550(P)	550 ^A	550	410	89	625	230	98.8
DCV-600(P)	600 ^A	600	455	95	675	230	129.2

弹性接头 Flexible Joint



系列 Series	公称口径 DN Nominal Bore	尺寸 Size					水平位移 Horizontal Displacement		横向位移 Lateral Displacement	偏移角度 Deflexion Angle
		L	B	D	D1	n-do	伸长 Protraction	压缩 Compression		
ZLT	200	190	24	320	280	8-φ 18	16	25	22	15°
	250	230	28	375	335	12-φ 18	16	25	22	15°
	300	245	28	440	395	12-φ 22	16	25	22	15°
	350	255	28	490	445	12-φ 22	16	25	22	15°
	400	255	30	540	495	16-φ 22	16	25	22	15°
	450	255	30	595	550	16-φ 22	16	25	22	15°
	500	255	32	645	600	20-φ 22	16	25	22	15°
	550	255	32	705	655	20-φ 26	16	25	22	15°
KXT-III	600	265	36	780	725	20-φ 30	16	25	22	15°
	700	270	38	895	840	24-φ 30	16	25	22	15°

注：ZLT系列弹性接头适用于L5~ZL9型风机。
KXT-III 系列弹性接头适用于ZL103WD~ZL105WDP型风机。
Note: Series ZLT Flexible Joint applied to L5~ZL9 type blower.
Series KXT-III Flexible Joint applied to type ZL103WD~ZL105WDP blower.

RR 系列罗茨风机 / 真空泵

RR series Roots type blower/vacuum pump



产品简介

Product Introduction

RR 系列罗茨鼓风机、真空泵是我公司引进日本大晃机械工业株式会社的先进设计制造技术而生产的产品。该系列产品集中了日本多年研究的技术精华，追求高效率，采用了特殊的叶轮型线，依照空气动力学的研究成果，研制出的高效节能型罗茨鼓风机，特别是在高压、输送特殊气体方面处于世界领先水平。

RR series Roots type blowers and vacuum pumps are designed and produced with the advanced technology from TAIKO KIKAI INDUSTRIES CO.,LTD. Of Japan. Special type rotor profile and other patent technology are adopted. The blowers have the advantages of high efficiency and energy saving by designed with the principal of pneumatic dynamics. The products are with international advanced level especially in high pressure and delivering special gas.

压力单位的换算表

Conversion of pressure

	Pa	bar	kgf/cm ²	atm	mmH ₂ O	mmHg
压力 pressure	1	1×10 ⁻⁵	1.019 72×10 ⁻⁵	9.869 23×10 ⁻⁶	1.019 72×10 ⁻¹	7.500 62×10 ⁻³
	1×10 ⁵	1	1.019 72	9.869 23×10 ⁻¹	1.019 72×10 ⁴	7.500 62×10 ²
	9.806 65×10 ⁴	9.806 65×10 ⁻¹	1	9.678 41×10 ⁻¹	1×10 ⁴	7.355 59×10 ²
	1.013 25×10 ⁵	1.013 25	1.033 23	1	1.033 23×10 ⁴	7.600 00×10 ²
	9.806 65	9.806 65×10 ⁻⁵	1×10 ⁻⁴	9.678 41×10 ⁻⁵	1	7.355 59×10 ⁻²
	1.333 22×10 ²	1.333 22×10 ⁻³	1.359 51×10 ⁻³	1.315 79×10 ⁻³	1.359 51×10	1

返回目录

RR-V系列罗茨真空泵性能表 Performance Data of Series RR-V Rotary Vacuum Pump
 各真空度下的吸入风量 Q_s (m^3/min) 和所需的轴功率 La (kW) 及配套电机功率 Po (kW)
 Inlet Flow Q_s (m^3/min), Shaft Power La (kW) And Motor Power Po (kW)

型号 type	口径 mm	转速-rpm r/min	理论流量 Theoretical Capacity m^3/min	-9.8kPa (-1000mmH2O)												-14.7kPa (-1500mmH2O)												-19.6kPa (-2000mmH2O)												-24.5kPa (-2500mmH2O)												-29.4kPa (-3000mmH2O)												-34.3kPa (-3500mmH2O)												-39.2kPa (-4000mmH2O)												-44.1kPa (-4500mmH2O)												-49kPa (-5000mmH2O)												电机 极数 Motor P/oe
				Q _s		La		Po		Q _s		La		Po		Q _s		La		Po		Q _s		La		Po		Q _s		La		Po		Q _s		La		Po		Q _s		La		Po		Q _s		La		Po		Q _s		La		Po		Q _s		La		Po																																																		
				Q _s	La	Po	Q _s	La	Po	Q _s	La	Po	Q _s	La	Po	Q _s	La	Po	Q _s	La	Po	Q _s	La	Po	Q _s	La	Po	Q _s	La	Po	Q _s	La	Po	Q _s	La	Po	Q _s	La	Po	Q _s	La	Po	Q _s	La	Po	Q _s	La	Po	Q _s	La	Po	Q _s	La	Po	Q _s	La	Po																																																							
RRF-250V	250A	1250	89	82.4	20	30	80.4	27.5	37	79.5	35	45	77.8	42.5	55	76.6	50	75	75.2	57	74	64	75	74	61	75	82.4	61	75	81.2	69	90	77.9	77.5	90	86.7	77.5	90	86.7	77.5	90	85	93.2	110	4	4																																																																		
		1350	96.2	89.6	21	30	87.6	29	37	86.7	37	45	85	45	55	83.8	53	75	82.4	61	75	81.2	69	90	77.9	77.5	90	86.7	77.5	90	86.7	77.5	90	85	93.2	110	4	4																																																																										
		1450*	103.3	96.7	23.4	30	94.7	31.9	37	93.8	40.5	55	92.1	49.1	55	90.9	57.7	75	89.5	66.3	75	88.3	74.9	90	86.7	77.5	90	86.7	77.5	90	85	93.2	110	4	4																																																																													
		650	56	49.6	13	18.5	17.5	22	46.6	22	30	45.1	27	37	43.8	32	45	42.5	36.5	45	41.4	41	55	39.9	46	55	38.1	51	75	6	6																																																																																	
RRF-240V	250 ^b	730*	62.9	56.5	14	18.5	54.3	19.5	30	53.5	25	30	52	30.5	37	50.7	36	45	49.4	41	55	48.3	46	55	46.8	51.5	75	8	8																																																																																			
		800	68.9	62.5	16	22	60.3	21.5	30	59.5	27	37	58	33	45	56.7	39	55	55.4	45	55	54.3	51	75	52.8	56.5	75	6	6																																																																																			
		880	75.8	69.4	17	22	67.2	23.5	30	66.4	30	37	64.9	36.5	45	63.6	43	55	62.3	49.5	75	61.2	56	75	59.7	62.5	75	6	6																																																																																			
		980*	84.4	78	19	30	75.8	26	37	75	33	45	73.5	40.5	55	72.2	48	75	70.9	55	75	69.8	62	75	68.3	69	75	66.5	76	90	6	6																																																																																
RRF-245V	250 ^b	650	70	61.9	16	22	59.3	22	30	58.3	28	37	56.4	33.5	45	54.8	39	55	53.3	45	55	51.8	51	75	49.8	57	75	47.5	63	75	6	6																																																																																
		730*	78.6	70.5	17	22	67.9	24	30	66.9	31	37	65	37.5	45	63.4	44	55	61.9	50.5	75	60.4	57	75	58.4	63.5	75	6	6																																																																																			
		800	86.1	78	19	30	75.4	26.5	37	74.4	34	45	72.5	41	55	70.9	48	75	69.4	55.5	75	67.9	63	75	65.9	70	90	63.6	77	90	6	6																																																																																
		880	94.7	86.6	21	30	84	29	37	83	37	45	81.1	45	55	79.5	53	75	78	61	75	76.5	69	90	74.5	77	90	72.2	85	110	6	6																																																																																
RRF-250V	250 ^b	980*	105.5	97.4	23	30	94.8	32	45	93.8	41	55	91.9	50	75	90.3	59	75	88.8	68	75	87.3	77	90	85.3	86	110	83	95	110	6	6																																																																																
		650	87.1	76.2	19	30	73.5	26.5	37	72.4	34	45	70.4	41	55	68.5	48	75	66.8	55.5	75	65.2	63	75	63	70.5	90	6	6																																																																																			
		730*	97.8	86.2	21	30	84.2	29.5	45	83.1	38	45	81.1	46	55	79.2	54	75	77.5	62	75	75.9	70	90	73.7	82.5	90	8	8																																																																																			
		800	107.2	96.3	23	30	93.6	32	45	92.5	41	55	90.5	50	75	88.6	59	75	86.9	68	90	85.3	77	90	83.1	86	110	80.4	95	110	6	6																																																																																
RRF-290V	300 ^b	880	117.9	107	26	37	105	35.5	45	103	45	55	101	55	75	99.1	65	75	97.4	75	90	95.8	85	110	93.8	95	110	91.1	105	132	6	6																																																																																
		980*	131.3	120	29	37	118	40	55	116	51	75	114	61.6	75	112	72	90	110	83.5	110	108	95	110	107	106	132	105	117	132	6	6																																																																																
		650	102.6	92.3	22	30	88.4	30.5	37	86.9	39	45	84.2	48	55	81.9	57	75	80	65.5	75	78	74	90	75.8	82.5	90	72.6	91	110	6	6																																																																																
		730*	115.3	105	25	30	101	35	45	99.6	45	55	96.9	54.5	75	94.6	64	75	92.7	73.5	90	90.7	83	110	88.5	93	110	85.3	103	132	8	8																																																																																
RRF-290V	300 ^b	800	126.3	116	27	37	112	37.5	45	110	48	75	107	59	75	105	70	90	103	80.5	90	101	91	110	99.5	102	132	96.3	112	132	6	6																																																																																
		880	139	128	30	37	125	41.5	55	123	53	75	120	64.5	75	118	76	90	116	88	110	114	100	110	112	132	109	123	160	6	6																																																																																	
		980*	154.8	144	33	55	141	46	55	139	59	75	136	72	90	134	85	110	132	97.5	110	130	110	132	128	123	160	124	136	160	6	6																																																																																
		650	108.9	97.3	23	30	93.5	32.5	45	92	42	55	89.3	51	75	87	60	75	85	69	90	83.2	78	90	81	87	110	76.6	96	110	6	6																																																																																
RRF-295V	300 ^b	730*	122.3	110	26	37	107	36.5	45	105	47	75	102	57	75	99.7	67	90	97.7	77.5	90	95.9	88	110	94.4	98	110	90	108	132	8	8																																																																																
		800	134	122	29	37	119	40	55	117	51	75	114	62.5	75	112	74	90	110	85	110	108	96	110	106	107	132	101	118	132	6	6																																																																																

注：带*的转速采用联轴器直联传动，其余转速采用皮带传动

Notes: Direct drive is adopted for model marked with "*", Belt drive is adopted for others.

RR-V系列罗茨真空泵性能表 Performance Data of Series RR-V Rotary Vacuum Pump

型号 type	口径 mm	转速-rpm r/min	理论流量 Theoretical Capacity m^3/min	-9.8kPa (-1000mmH2O)												-14.7kPa (-1500mmH2O)												-19.6kPa (-2000mmH2O)												-24.5kPa (-2500mmH2O)												-29.4kPa (-3000mmH2O)												-34.3kPa (-3500mmH2O)												-39.2kPa (-4000mmH2O)												-44.1kPa (-4500mmH2O)												-49kPa (-5000mmH2O)												电机 极数 Motor P/oe
				Q _s		La		Po		Q _s		La		Po		Q _s		La		Po		Q _s		La		Po		Q _s		La		Po		Q _s		La		Po		Q _s		La		Po		Q _s		La		Po		Q _s		La		Po		Q _s		La		Po																																																		
				Q _s	La	Po	Q _s	La	Po	Q _s	La	Po	Q _s	La	Po	Q _s	La	Po	Q _s	La	Po	Q _s	La	Po	Q _s	La	Po	Q _s	La	Po	Q _s	La	Po	Q _s	La	Po	Q _s	La	Po	Q _s	La	Po	Q _s	La	Po	Q _s	La	Po	Q _s	La	Po	Q _s	La	Po	Q _s	La	Po	Q _s	La	Po																																																				
RRF-295V	300 ^b	880	147.4	135	32	45	132	45.5	55	130	59	75	127	70	90	125	81	110	123	93	110	121	105	132	120	118	132	115	130	160	6	6																																																																																
		980*	164.1	152	35	45	149	49	75	147	63	75	144	76.5	90	142	90	110	140	104	132	138	117	132	136	131	160	131	145	160	6	6																																																																																
		650	119.7	106	26	37	102.5	36	45	101	46	75	98.4	56	75	95.8	66	90	93	76	90	90.3	86	110	87.3	96	110	84.3	106	132	6	6																																																																																
		730*	134.5	121.3	29	37	117.3	40	45	115.8	52	75	112.8	63	75	109.8	74	90	107.8	85	110	104.8	97	110	102.3	108	132	98.3	119	132	8	8																																																																																
RRF-297V	300 ^b	800	147.4	133.7	32	45	130.7	44	55	128.7	57	75	125.8	69	90	122.8	81	110	120.7	94	110	117.8	106	132	114.8	118	132	110.8	130	160	6	6																																																																																
		880	162.1	149	35	45	145	49	55	143	62	75	140	76	90	137	89	110	135	103	132	132	116	132	130	130	160	126	144	160	6	6																																																																																
		980*	180.5	166.8	39	45	163.8	54	75	161.8	69	90	158.9	84	110	155.8	100	110	153.8	115	132	150.8	130	160	148.8	145	160	143.8	160	185	6	6																																																																																
		650	133.7	120	29	37	117	40	55	115	51	75	112	62	75	109	73	90	107	84.5	110	104	96	110	101	107	132	97	118	132	6	6																																																																																
RRF-300V	300 ^b	730*	150.2	137	32	37	133	44.5	55	131	57	75	128	69.5	90	125	82	90	123	94.5	110	120	107	132	118	120	132	114	132	160	8	8																																																																																
		800	164.6	151	35	45	148	49	55	146	63	75	143	76.5	90	140	90	110	138	104	132	135	118	132	132	132	160	128	145	160	6	6																																																																																
		880	181.1	168	39	45	164	54	75	162	69	90	159	84	110	156	99	110	154	114	132	151	129	160	149	144	160	145	159	185	6	6																																																																																
		980*	201.7	192	43	55	185	59.5	75	183	76	90	180	93	110	177	110	132	175	127	160	172	144																																																																																									

RR-W系列罗茨真空泵性能表 Performance Data of Series RR-W Rotary Vacuum Pump

Table with columns: 型号 type, 口径 mm, 转速 rpm, 理论流量 Theoretical Capacity m³/min, and various pressure ranges (-13.3kPa to -53.3kPa) with sub-columns for Qc, La, Po, Qc, La, Po, etc. Includes rows for models RRF-250W, RRF-240W, RRF-245W, RRF-250W, RRF-290W, and RRF-295W.

注: 1、湿式罗茨真空泵不宜输送水溶性、腐蚀性气体。 2、带*的转速采用联轴器直联传动,其余转速采用皮带传动。 3、□ 内性能点真空度中间轴皮带的传动

Notes :1. Water dissoluble or corrosive gas should not be transferred by wet rotary vacuum pump. 2. Direct drive is adopted for model marked with "*", Belt drive is for others. 3、Belt drive with counter shaft should be adopted for pump whose performance points are enclosed by the "□"

RR-W系列罗茨真空泵性能表 Performance Data of Series RR-W Rotary Vacuum Pump

Table with columns: 型号 type, 口径 mm, 转速 rpm, 理论流量 Theoretical Capacity m³/min, and various pressure ranges (-13.3kPa to -53.3kPa) with sub-columns for Qc, La, Po, Qc, La, Po, etc. Includes rows for models RRF-295W, RRF-297W, RRF-300W, RRF-350W, RRF-300W, RRF-350W, RRF-400W, RRF-400W, and RRF-300W.

注: 1、湿式罗茨真空泵不宜输送水溶性、腐蚀性气体。 2、带*的转速采用联轴器直联传动,其余转速采用皮带传动

Notes :1. Water dissoluble or corrosive gas should not be transferred by wet rotary vacuum pump. 2. Direct drive is adopted for model marked with "*", Belt drive is for others.

RR-W系列罗茨真空泵性能参数表 Performance Data of Series RR-W Rotary Vacuum Pump

Table with columns for Model, Inlet Flow, Shaft Power, Motor Power, and Motor P/Loe. Sub-sections are provided for different pressure ranges: -13.3kPa, -20.0kPa, -26.7kPa, -33.3kPa, -40.0kPa, -46.7kPa, and -53.3kPa.

注: 1. 湿式罗茨真空泵不宜输送水溶性、腐蚀性的气体。 2. 带※的转速采用联轴器直联传动, 其余转速采用皮带传动。 3. 带※的转速采用联轴器直联传动, 其余转速采用皮带传动。

TRR系列罗茨鼓风机性能表 Performance Data of Series TRR Rotary Blower

Table with columns for Model, Inlet Flow, Shaft Power, Motor Power, and Motor P/Loe. Sub-sections are provided for different pressure ranges: 98kPa, 107.8kPa, 117.6kPa, 127.4kPa, 137.2kPa, 147kPa, 156.8kPa, 166.6kPa, 176.4kPa, and 196.0kPa.

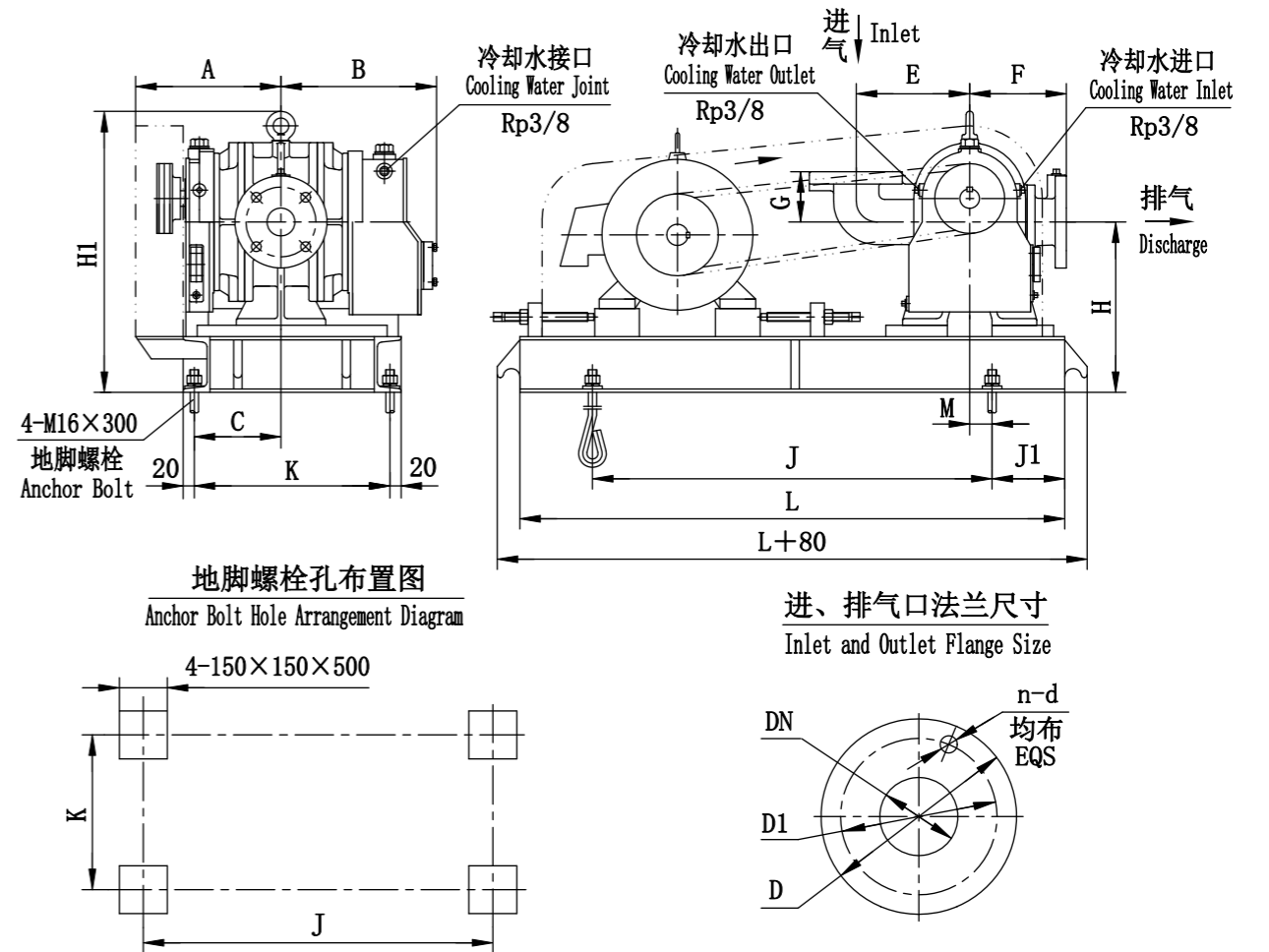
注: 1. 内性能点鼓风机配中间轴皮带传动 2. 带※的转速采用联轴器直联传动, 其余转速采用皮带传动。

TRR-W系列罗茨真空泵性能表 Performance Data of Series TRR-W Rotary Vacuum Pump

型号 type	口径mm	转速rpm r/min	理论流量 Theoretical Capacity m ³ /min	各真空度下的吸入风量Q _s (m ³ /min) 和所需的轴功率La (kW) 及配套电机功率Po												密封水量 Sealing water Flow L/min	电机极数 Motor Pole								
				-53.3kPa				-60.0kPa				-66.7kPa						-73.3kPa				-80kPa			
				Q _s	La	Po	Q _s	Q _s	La	Po	Q _s	Q _s	La	Po	Q _s			Q _s	La	Po	Q _s	Q _s	La	Po	Q _s
TRR-250W (RRF-250W RRF-240W)	250 ^h 250 ^a	650	87.1	77	75.6	90	76	80.3	90	75	86.2	110	74	91	110	72	96.2	110	72	96.2	110	30	8		
		730※	97.8	87.7	85	86.7	110	85.7	97	110	84.7	102	132	84.7	102	132	82.7	108	132	82.7	108	30	8		
		800	107.2	97.1	93.1	96.1	110	95.1	106	132	94.1	112	132	94.1	112	132	92.1	118	132	92.1	118	35	6		
		880	117.9	108	102	107	132	106	117	132	105	123	160	103	130	160	103	130	160	103	130	160	35	6	
TRR-295W (RRF-295W RRF-245W)	300 ^h 250 ^a	650	108.9	98.8	99.5	110	97.8	105.5	132	97.8	108	132	96.8	117.5	132	93.8	123.5	160	107	138.5	160	35	8		
		730※	122.3	112	111.5	122.5	160	123	133	160	122	144.5	160	119	151.5	185	119	151.5	185	119	151.5	40	6		
		800	134.0	124	124	136	160	136	142.5	160	135	160	185	135	160	185	132	167	185	132	167	40	6		
		880	147.4	137	137	142.5	160	153	159	185	153	168	185	152	177	200	149	186	220	149	186	220	40	6	
TRR-300W (RRF-300W RRF-250W)	300 ^h 250 ^a	650	133.7	121	115	122	120	137	160	120	130	160	119	139	160	116	146	185	116	146	185	35	8		
		730※	150.2	138	129	137	160	137	146	185	136	156	185	133	164	185	133	164	185	133	164	40	8		
		800	164.6	141	141	150.5	185	151	160	171	200	159	183	220	156	193	220	156	193	220	156	193	43	8	
		880	181.1	168	168	178	185	178	188	220	176	188	220	176	200	220	173	212	250	173	212	250	43	6	
TRR-400W (RRF-400W RRF-300PW)	400 ^h 300 ^a	650	201.7	189	173	200	188	184	220	188	196	220	187	209	250	184	220	250	184	220	250	40	6		
		730※	218.1	202	202	216	250	221	230	280	220	245	280	222	254	315	219	270	315	219	270	43	6		
		800	239.2	222	222	230	280	224	243	280	222	254	315	219	270	315	219	270	315	219	270	43	10		
		880	248.1	229	229	237	280	226	230	280	224	243	280	222	254	315	219	270	315	219	270	43	10		
TRR-450W (RRF-450W RRF-350W)	450 ^h 350 ^a	650	311.1	292	275	315	291	290	355	289	305	355	286	320	400	282	335	400	282	335	400	43	8		
		730※	310.1	287	283	315	286	275	315	284	296	355	282	310	355	280	328	400	280	328	400	48	10		
		800	383.6	366	366	351	400	364	371	400	362	371	400	360	390	450	359	411	450	359	411	48	8		
		880	383.4	355	355	345	400	353	360	400	351	360	400	348	379	450	348	399	450	348	399	55	10		
TRR-500W (RRF-500W RRF-400W)	500 ^h 400 ^a	740※	480.4	452	404	450	450	428	500	448	452	500	446	475	560	445	500	560	445	500	560	55	8		

注: 1、内性能点真空泵配中间轴皮带传动
2、带※的转速采用联轴器直联传动, 其余转速采用皮带传动

RRB型罗茨鼓风机, RRB-V、RRB-W型罗茨真空泵皮带传动外形图
BELT DRIVE OUTLINE DRAWING FOR MODEL RRB ROTARY BLOWER, MODEL RRB-V AND RRB-W VACUUM PUMP
RRC型罗茨鼓风机, RRC-V、RRC-W型罗茨真空泵皮带传动外形图
BELT DRIVE OUTLINE DRAWING FOR MODEL RRC ROTARY BLOWER, MODEL RRC-V AND RRC-W VACUUM PUMP



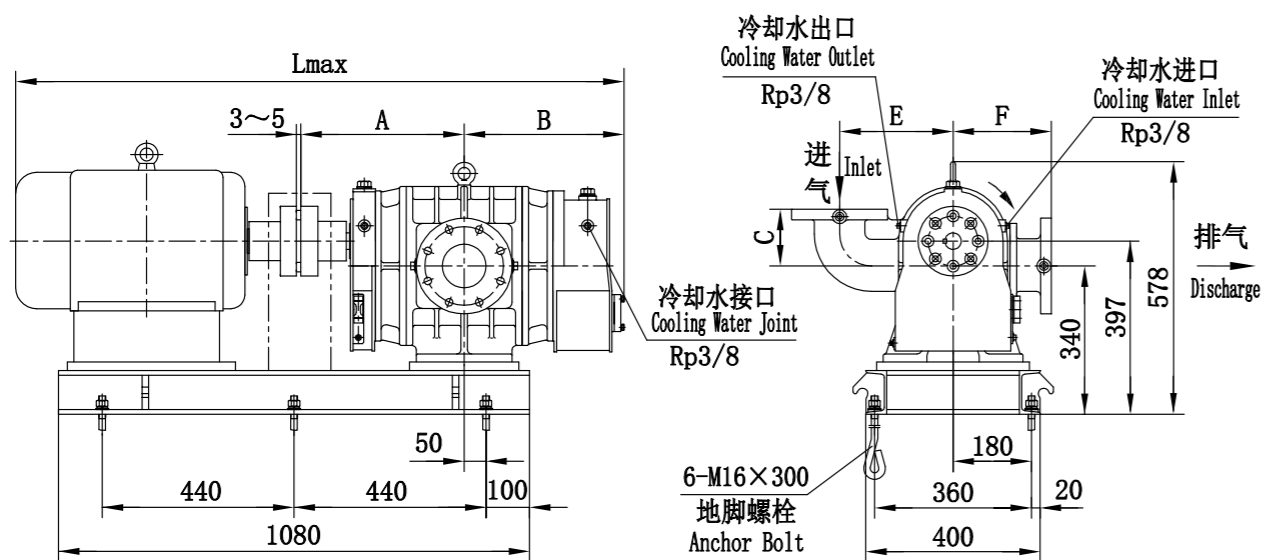
主机型号 Blower Type	配套电机 Motor	A	B	C	E	F	G	H	H1	J	J1	K	L	M	DN	D1	D	n-d
RRB-50 (V. W)	Y90, Y100, Y112, Y132	261	271	156	203	173	90	305	503	640	130	350	900	40	φ50	φ125	φ165	4-φ18
	Y160	297	296	192	223	178	100								715	975	φ65	
RRB-65 (V. W)	Y100, Y112, Y132	335	330	225	250	215	120	340	578	710	120	420	950	75	φ80	φ160	φ200	8-φ18
	Y160			185														
RRC-80 (V. W)	Y100, Y112, Y132	400	365	290	260	225	130	340	578	710	120	420	950	75	φ100	φ180	φ220	8-φ18
	Y160, Y180M			245														

注: 冷却水进口温度 ≤25℃, 冷却水压力 196~294kPa, 冷却水流量 5~8L/min;
当升压低于 49kPa时, 不需要水冷却。

Note: Cooling water temperature: ≤25℃, Cooling water pressure: 196~294kPa, Cooling water flow: 5~8L/min
If pressure rise is less than 49kPa, cooling water is not needed.

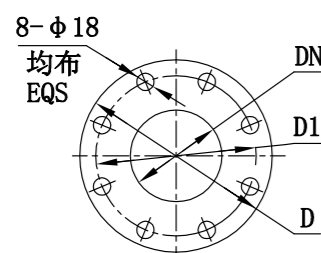
RRC型罗茨鼓风机联轴器直联传动外形图

DIRECT DRIVE OUTLINE DRAWING FOR MODEL RRC ROTARY BLOWER



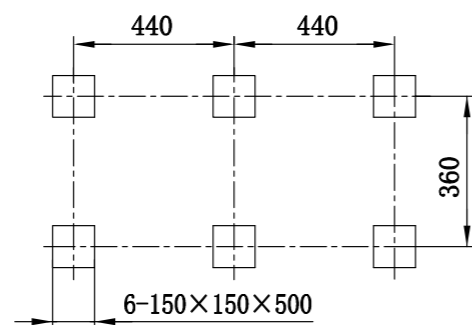
进、排气口法兰尺寸

Inlet and Outlet Flange Size



地脚螺栓孔布置图

Anchor Bolt Hole Arrangement Diagram



主机型号 Blower type	配套电机 Motor	A	B	C	E	F	Lmax	DN	D1	D
RRC-80	Y160M-4	310	330	120	250	215	1250	φ 80	φ 160	φ 200
RRC-100	Y160M-4	375	365	130	260	225	1350	φ 100	φ 180	φ 220
	1395									

注：冷却水进口温度 $\leq 25^{\circ}\text{C}$ ，冷却水压力 196~294kPa，冷却水流量 5~8L/min。

当升压低于 49kPa时，不需要水冷却。

Note: Cooling water temperature: $\leq 25^{\circ}\text{C}$, Cooling water pressure: 196~294kPa, Cooling water flow: 5~8L/min

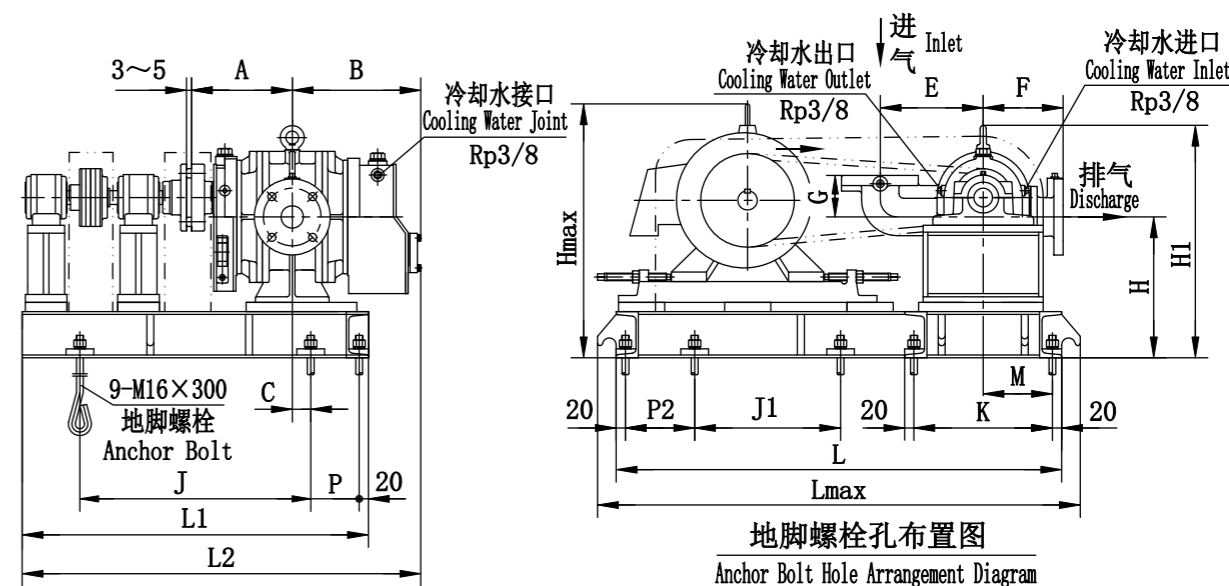
If pressure rise is less than 49kPa, cooling water is not needed.

RRB型罗茨鼓风机带中间轴皮带传动外形图

OUTLINE DRAWING OF BELT DRIVE WITH COUNTER SHAFT FOR MODEL RRB ROTARY BLOWER

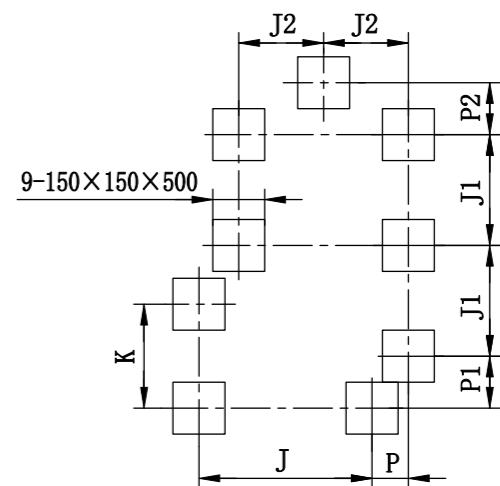
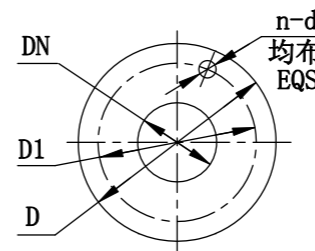
RRC型罗茨鼓风机带中间轴皮带传动外形图

OUTLINE DRAWING OF BELT DRIVE WITH COUNTER SHAFT FOR MODEL RRC ROTARY BLOWER



进、排气口法兰尺寸

Inlet and Outlet Flange Size



主机型号 Blower type	配套电机 Motor	A	B	C	E	F	G	H	H1	Hmax	J	J1	J2	K	L	L1	L2	Lmax	M	P	P1	P2	DN	D1	D	n-d
RRB-50	Y160	222	278	40	203	173	90	305	503	550	500	320	245	300	980	750	863	1060	150	105	150	150	φ 50	φ 125	φ 165	4-φ 18
RRB-65	Y132 Y160	258	303	4	223	178	100										924						φ 65	φ 145	φ 185	
RRC-80	Y160L Y180M Y200L	310	330	93	250	215	120	360	598	665	720	410	310	375	1200	950	1100	1295	180	100	250	90	φ 80	φ 160	φ 200	8-φ 18
	Y160L Y180M Y200L																									
RRC-100	Y160L Y180M Y200L	375	365	28	260	225	130										1200						φ 100	φ 180	φ 220	

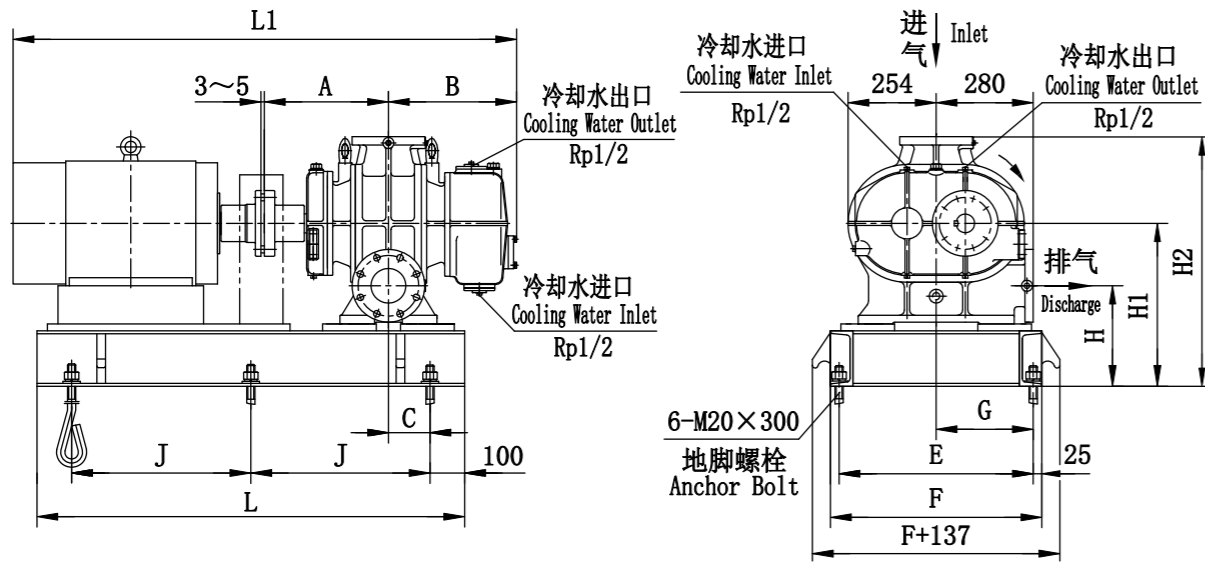
注：冷却水进口温度 $\leq 25^{\circ}\text{C}$ ，冷却水压力 196~294kPa，冷却水流量 5~8L/min。

当升压低于 49kPa时，不需要水冷却。

Note: Cooling water temperature: $\leq 25^{\circ}\text{C}$, Cooling water pressure: 196~294kPa, Cooling water flow: 5~8L/min

If pressure rise is less than 49kPa, cooling water is not needed.

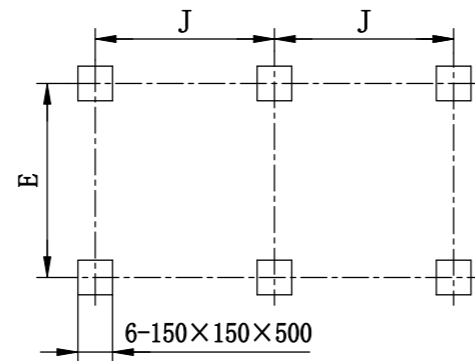
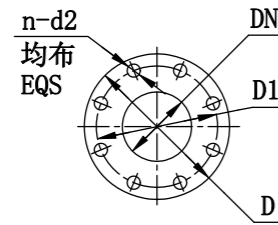
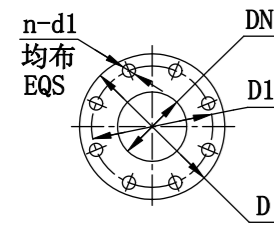
RRD型罗茨鼓风机, RRD-V、RRD-W型罗茨真空泵直联传动外形图
DIRECT DRIVE OUTLINE DRAWING FOR MODEL RRD ROTARY BLOWER, MODEL RRD-V AND RRD-W VACUUM PUMP



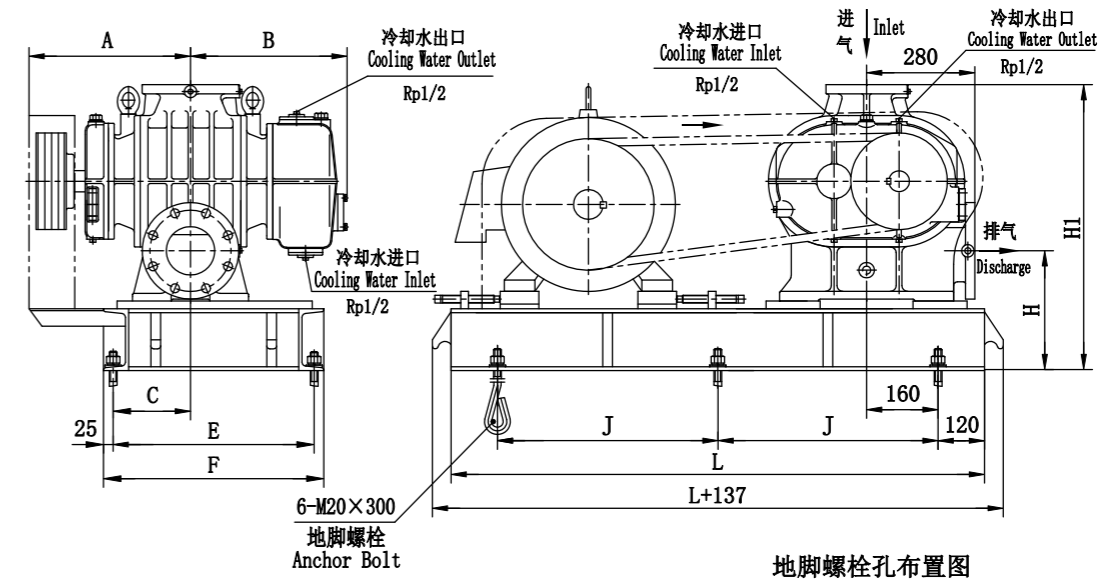
进气口法兰尺寸
Inlet Flange Size

排气口法兰尺寸
Outlet Flange Size

地脚螺栓孔布置图
Anchor Bolt Hole Arrangement Diagram



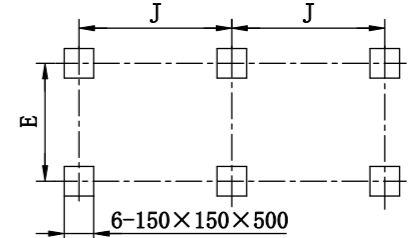
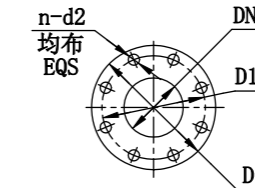
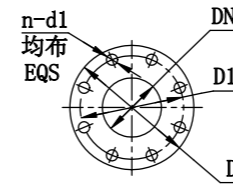
RRD型罗茨鼓风机, RRD-V、RRD-W型罗茨真空泵皮带传动外形图
BELT DRIVE OUTLINE DRAWING FOR MODEL RRD ROTARY BLOWER, MODEL RRD-V AND RRD-W VACUUM PUMP



进气口法兰尺寸
Inlet Flange Size

排气口法兰尺寸
Outlet Flange Size

地脚螺栓孔布置图
Anchor Bolt Hole Arrangement Diagram



主机型号 Blower type	配套电机 Motor	A	B	C	E	F	G	J	L	L1 (max)	H	H1	H2	DN	D1	D	n-d1	n-d2
RRD-100 (V, W)	Y132, Y160, Y180	365	362	120	560	610	290	500	1200	1442	290	470	720	φ100	φ180	φ220		
RRD-125 (V, W)	Y132, Y160, Y180	400	397	125	580	630	325	550	1300	1627	310	490	740	φ125	φ210	φ250	8-φ18	8-φ18
	Y200, Y225																	
RRD-127 (V, W)	Y132, Y160, Y180	490	457	170	615	665	350	630	1460	1802	310	490	740	φ125	φ210	φ250	8-φ18	8-φ18
Y200, Y225																		
RRD-150 (V, W)	Y160, Y180, Y200	530	497	205	590	640	335	670	1540	1882	330	480	805	φ150	φ240	φ285	8-φ22	8-M20

注：冷却水进口温度≤25℃，冷却水压力 196~294kPa，冷却水流量 8~10L/min；
当升压低于 39.2kPa时，不需要水冷却。

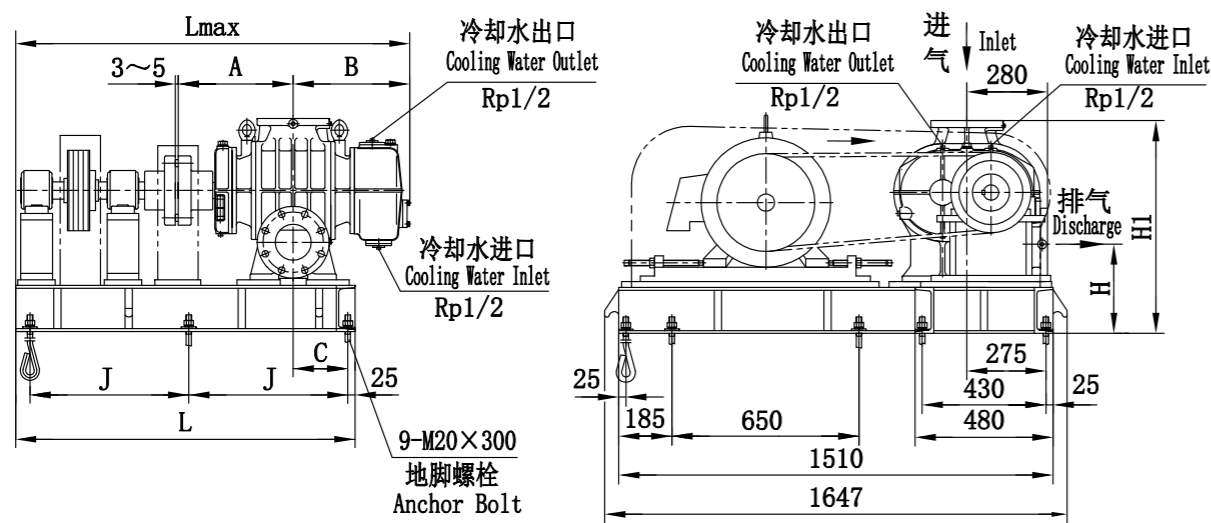
Note: Cooling water temperature: ≤25℃, Cooling water pressure: 196~294kPa, Cooling water flow: 8~10L/min
If pressure rise is less than 39.2kPa, cooling water is not needed.

主机型号 Blower Type	配套电机 Motor	A	B	C	E	F	J	L	H	H1	DN	D1	D	n-d1	n-d2				
RRD-100 (V, W)	Y112, Y132	400	362	310	510	560	495	1230	290	720	φ100	φ180	φ220	8-φ18	8-φ18				
	Y160, Y180			250															
	Y200, Y225			240												550	600	520	1280
RRD-125 (V, W)	Y112, Y132	440	397	350	550	600	520	1280	310	740	φ125	φ210	φ250	8-φ18	8-φ18				
	Y160, Y180			255												560	1360		
	Y200, Y225																		
RRD-127 (V, W)	Y132	525	457	425	665	715	470	1180	310	740	φ125	φ210	φ250	8-φ18	8-φ18				
	Y160, Y180			360												600	650	560	1360
	Y200, Y225																	620	1480
RRD-150 (V, W)	Y132	565	497	460	725	775	460	1160	330	805	φ150	φ240	φ285	8-φ22	8-M20				
	Y160, Y180																560	1360	
	Y200, Y225			395												660	710	620	1480

注：冷却水进口温度≤25℃，冷却水压力 196~294kPa，冷却水流量 8~10L/min；
当升压低于 39.2kPa时，不需要水冷却。

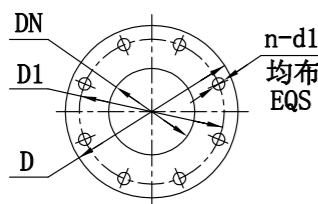
Note: Cooling water temperature: ≤25℃, Cooling water pressure: 196~294kPa, Cooling water flow: 8~10L/min
If pressure rise is less than 39.2kPa, cooling water is not needed.

RRD型罗茨鼓风机, RRD-W罗茨真空泵带中间轴皮带传动外形图
 OUTLINE DRAWING OF BELT DRIVE WITH COUNTER SHAFT FOR MODEL RRD ROTARY BLOWER, RRD-W VACUUM PUMP

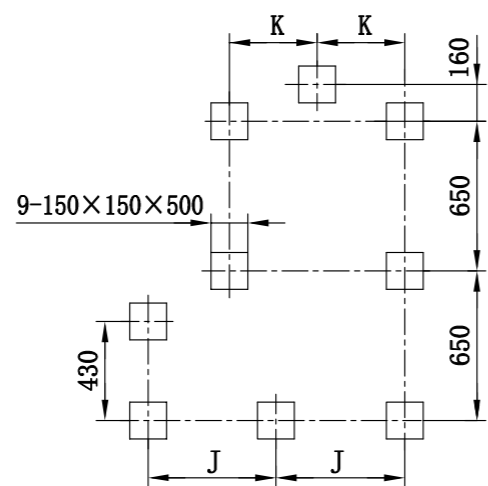
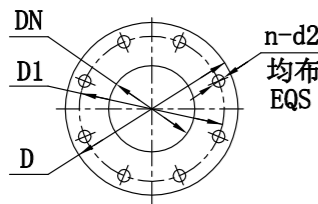


进气口法兰尺寸
Inlet Flange Size

地脚螺栓孔布置图
Anchor Bolt Hole Arrangement Diagram



排气口法兰尺寸
Outlet Flange Size

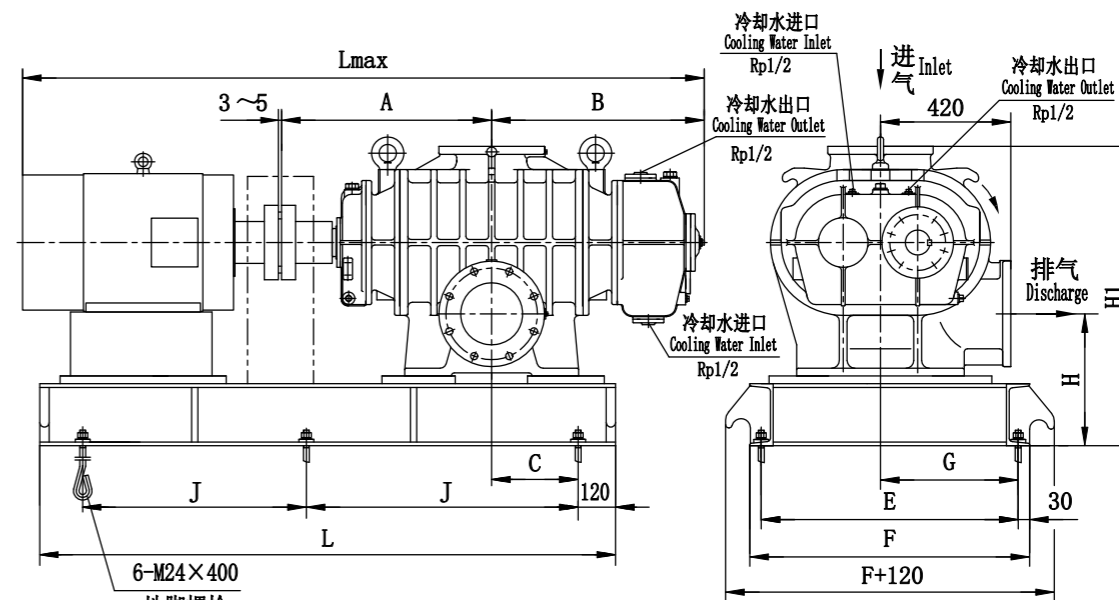


主机型号 Blower Type	配套电机 Motor	A	B	C	H	H1	J	K	L	Lmax	DN	D1	D	n-d1	n-d2
RRD-125	Y225, Y250	400	397	190	310	740	550	380	1180	1370	φ 125	φ 210	φ 250	8-φ 18	8-φ 18
RRD-127 130(W)	Y225, Y250 Y280	490	457	250			625	455	1330	1520	φ 130				
RRD-150	Y225, Y250	530	497	280	340	815	660	490	1400	1600	φ 150	φ 240	φ 285	8-φ 22	8-M20

注:冷却水进口温度 $\leq 25^{\circ}\text{C}$,冷却水压力 196~294kPa,冷却水流量 8~10L/min。
 当升压低于 39.2kPa时,不需要水冷却。

Note: Cooling water temperature: $\leq 25^{\circ}\text{C}$, Cooling water pressure: 196~294kPa, Cooling water flow: 8~10L/min
 If pressure rise is less than 39.2kPa, cooling water is not needed.

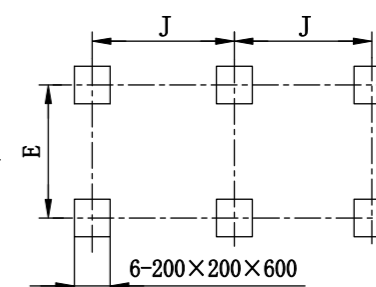
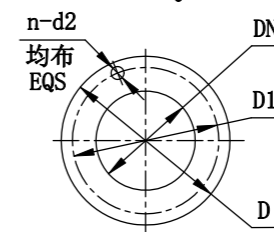
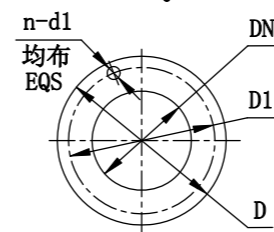
RRE型罗茨鼓风机, RRE-V、RRE-W型罗茨真空泵直联传动外形图
 DIRECT DRIVE OUTLINE DRAWING FOR MODEL RRE ROTARY BLOWER, MODEL RRE-V AND MODEL RRE-W VACUUM PUMP



进气口法兰尺寸
Inlet Flange Size

排气口法兰尺寸
Outlet Flange Size

地脚螺栓孔布置图
Anchor Bolt Hole Arrangement Diagram

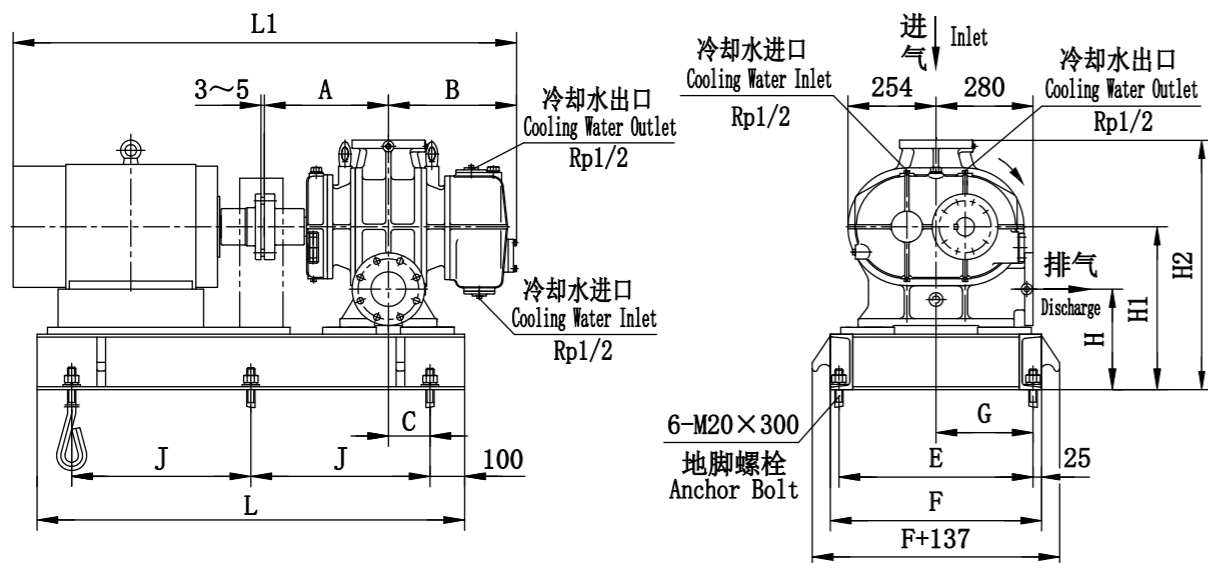


主机型号 Blower Type	配套电机 Motor	A	B	C	E	F	G	H	H1	J	L	Lmax	DN	D1	D	n-d1	n-d2
RRE-140 (V, W)	Y160, Y180, Y200 Y225, Y250, Y280S	510	525	105	705	765	385	350	900	645	1530	1645 2040	φ 150	φ 240	φ 285	8-φ 22	8-M20
RRE-145 (V, W)	Y160, Y180, Y200 Y225, Y250, Y280 Y315S	535	550		740	800	440			685	1610	1740 2140					
RRE-150 (V, W)	Y160, Y180, Y200, Y225 Y250, Y280, Y315S Y315M	535	590	140	360	910	753	1745	1785 2400	8-φ 22	8-φ 22						
RRE-190 (V, W) RRE-200 (V, W)	Y180, Y200, Y225, Y250 Y280, Y315S, Y315M Y315L	675	685	230			802	862	482			400	940	892	2025	2075 2705	φ 200
RRE-250 (V, W)	Y200, Y225, Y250 Y280, Y315	750	760	315	410	1020	972	2185	2290 2855	12-φ 22	12-φ 22						

注:冷却水进口温度 $\leq 25^{\circ}\text{C}$,冷却水压力 196~294kPa,冷却水流量 10~13L/min;
 当升压低于 39.2kPa时,不需要水冷却。

Note: Cooling water temperature: $\leq 25^{\circ}\text{C}$, Cooling water pressure: 196~294kPa, Cooling water flow: 10~13L/min
 If pressure rise is less than 39.2kPa, cooling water is not needed.

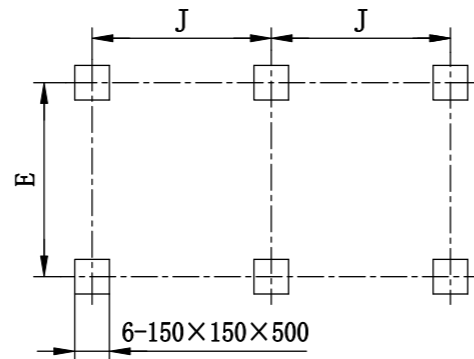
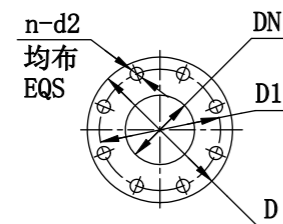
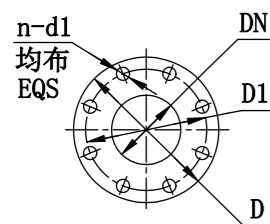
RRD型罗茨鼓风机, RRD-V、RRD-W型罗茨真空泵直联传动外形图
DIRECT DRIVE OUTLINE DRAWING FOR MODEL RRD ROTARY BLOWER, MODEL RRD-V AND RRD-W VACUUM PUMP



进气口法兰尺寸
Inlet Flange Size

排气口法兰尺寸
Outlet Flange Size

地脚螺栓孔布置图
Anchor Bolt Hole Arrangement Diagram

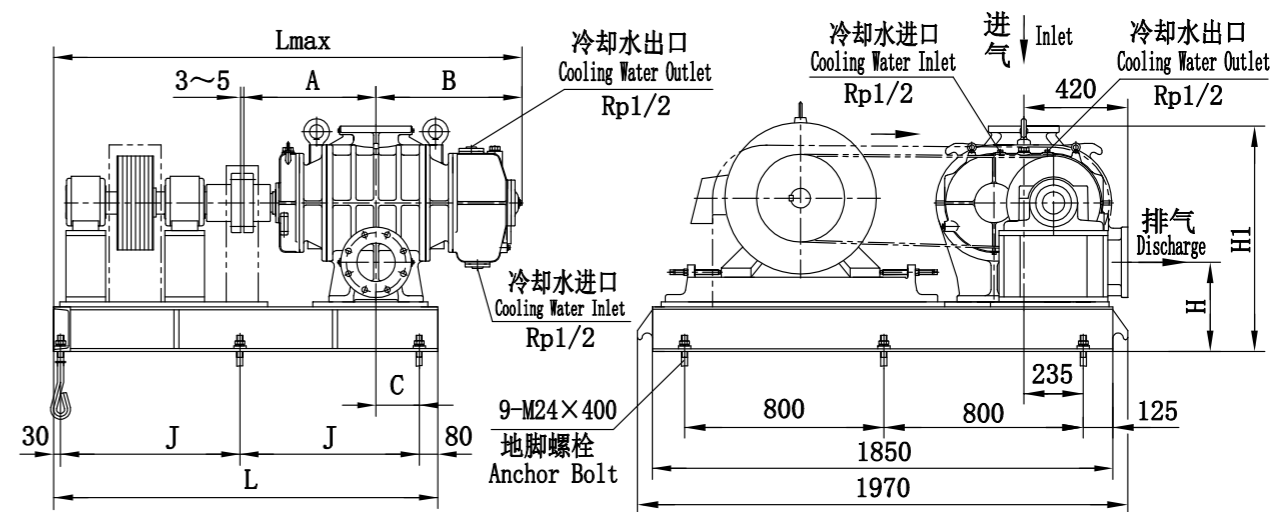


主机型号 Blower type	配套电机 Motor	A	B	C	E	F	G	J	L	L1 (max)	H	H1	H2	DN	D1	D	n-d1	n-d2
RRD-100(V.W)	Y132, Y160, Y180	365	362	120	560	610	290	500	1200	1442	290	470	720	φ100	φ180	φ220		
RRD-125(V.W)	Y132, Y160, Y180 Y200, Y225	400	397	125	580	630	325	550	1300	1627	310	490	740	φ125	φ210	φ250	8-φ18	8-φ18
RRD-127-130(V.W)	Y132, Y160, Y180 Y200, Y225	490	457	170	615	665	350	630	1460	1802								
RRD-150(V.W)	Y160, Y180, Y200 Y225	530	497	205	590	640	335	670	1540	1882	330	480	805	φ150	φ240	φ285	8-φ22	8-M20

注:冷却水进口温度≤25℃,冷却水压力 196~294kPa,冷却水流量 8~10L/min;
当升压低于 39.2kPa时,不需要水冷却。

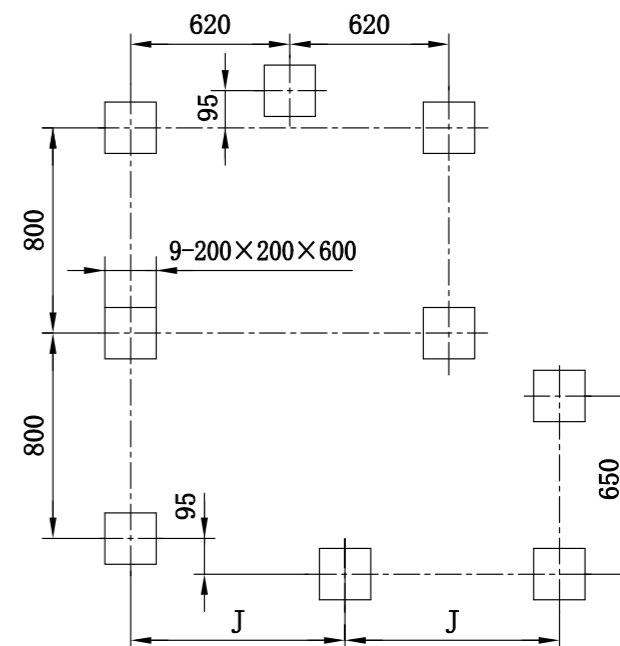
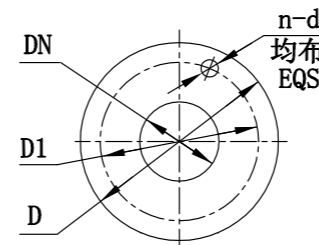
Note: Cooling water temperature: ≤25℃, Cooling water pressure: 196~294kPa, Cooling water flow: 8~10L/min
If pressure rise is less than 39.2kPa, cooling water is not needed.

RRE型罗茨鼓风机, RRE-W型罗茨真空泵带中间轴皮带传动外形图
OUTLINE DRAWING OF BELT DRIVE WITH COUNTER SHAFT FOR MODEL RRE ROTARY BLOWER AND MODEL RRE-W VACUUM PUMP



地脚螺栓孔布置图
Anchor Bolt Hole Arrangement Diagram

进、排气口法兰尺寸
Inlet and Outlet Flange Size

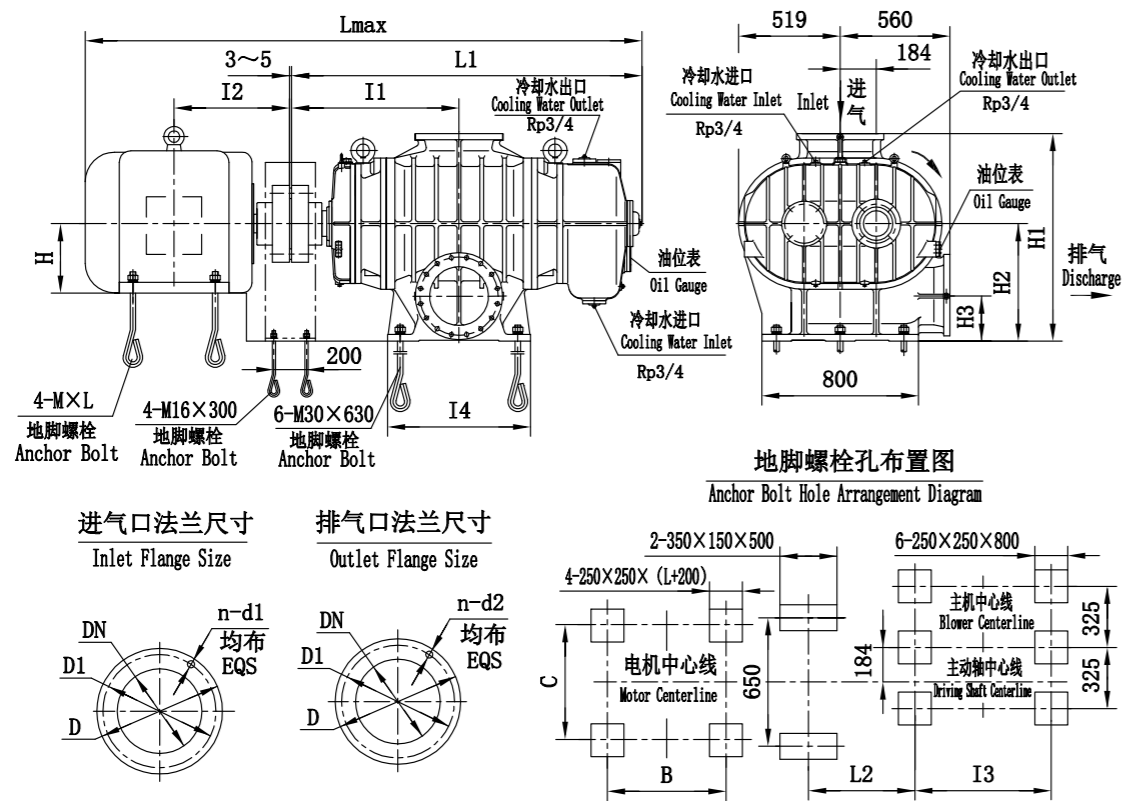


主机型号 Blower Type	配套电机 Motor	A	B	C	H	H1	J	L	Lmax	DN	D1	D	n-d
RRE-150	Y315	535	590	160	370	920	720	1550	1900	φ150	φ240	φ285	8-φ22
RRE-190-200	Y280 Y315	675	685	250	410	950	835	1780	2135	φ200	φ295	φ340	8-φ22
RRE-250(W)	Y315	750	760	335	410	1020	915	1940	2285	φ250	φ350	φ395	12-φ22

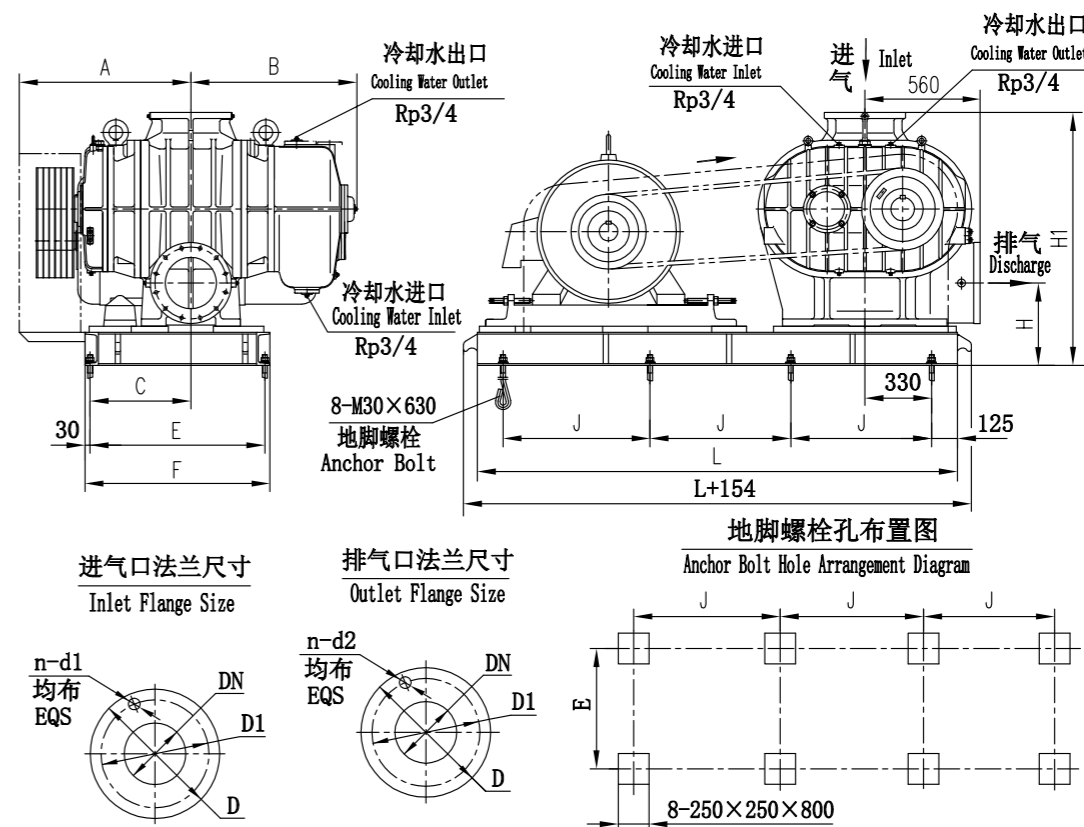
注:冷却水进口温度≤25℃,冷却水压力 196~294kPa,冷却水流量 10~13L/min。

Note: Cooling water temperature: ≤25℃, Cooling water pressure: 196~294kPa, Cooling water flow: 10~13L/min

RRF型罗茨鼓风机, RRF-V、RRF-W型罗茨真空泵直联传动外形图
DIRECT DRIVE OUTLINE DRAWING FOR MODEL RRF ROTARY BLOWER, MODEL RRF-V AND MODEL RRF-W VACUUM PUMP



RRF型罗茨鼓风机, RRF-V、RRF-W型罗茨真空泵皮带传动外形图
OUTLINE DRAWING OF BELT DRIVE FOR MODEL RRF ROTARY BLOWER, MODEL RRF-V AND MODEL RRF-W VACUUM PUMP



主机型号 (Blower Type)	H1	H2	H3	Lmax	L1	L2	I1	I3	I4	DN	D1	D	n-d1	n-d2
RRF-240 245 (V, W)	1040	570	210	3120	1540	532	730	400	480	250	350	395	12-φ22	12-M20
RRF-250 (V, W)	1060	600	220	3230	1650	557	785	460	590	300	400	445	12-φ22	12-φ22
RRF-290 295 (V, W)			230	3370	1790	557	855	600	730					
RRF-297 300 (V, W)	1090	630	250	4360	1950	582	935	710	860	350	460	505	16-φ22	16-φ22
RRF-350 (V, W)	1160	640	260	3695	2115	572	1020	900	1050					

配套电机尺寸表 (Dimension of Motor)

电机型号 Motor	Y200			Y225			Y250			Y280			Y315			Y355		Y400
	L	S	M	M	S	M	S	M	L	M	L	M	L	M	L			
B	305	286	311	349	368	419	406	457	508	560	630	1000						
C	318	356		406	457		508			610		710						
H	200	225		250	280		315			355		400						
MXL	M16X300			M20X300			M24X400			M30X630								
I2	400	437	450	488	519	545	594	620	645	709	744	1050						

注：冷却水进口温度≤25℃，冷却水压力 196~294kPa，冷却水流量 15~18L/min。

当升压低于 39.2kPa时，不需要水冷却。

Note: Cooling water temperature: ≤25℃, Cooling water pressure: 196~294kPa, Cooling water flow: 15~18L/min

If pressure rise is less than 39.2kPa, cooling water is not needed.

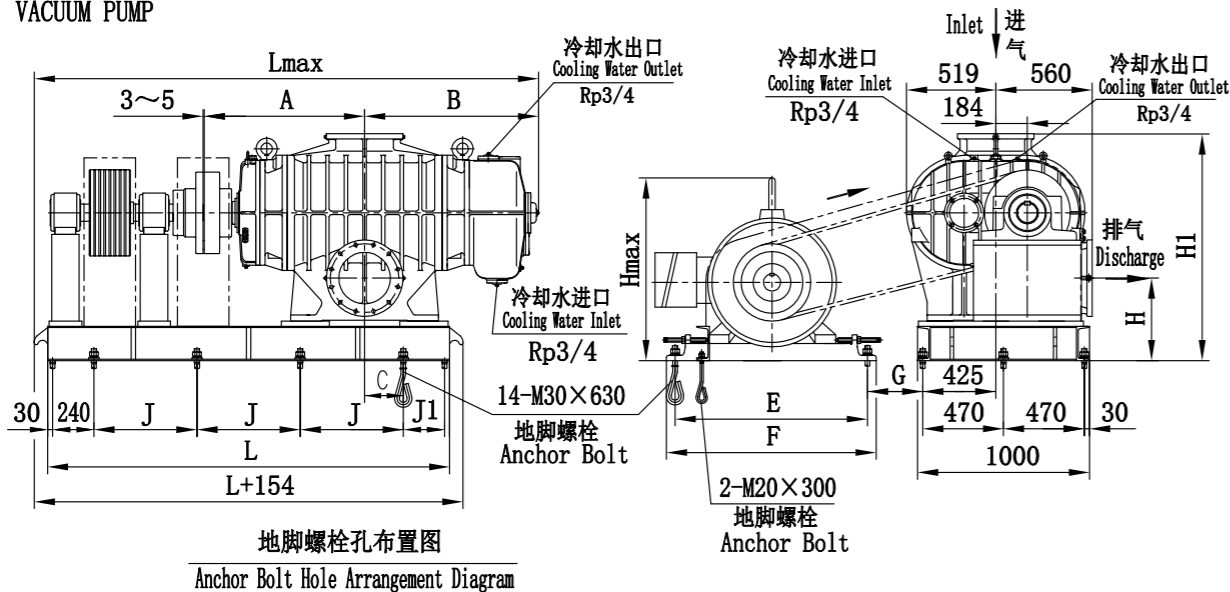
注：冷却水进口温度≤25℃，冷却水压力 196~294kPa，冷却水流量 15~18L/min；

当升压低于 39.2kPa时，不需要水冷却。

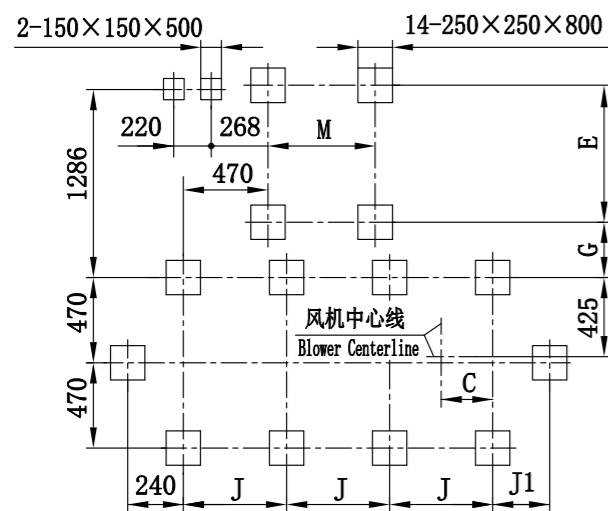
Note: Cooling water temperature: ≤25℃, Cooling water pressure: 196~294kPa, Cooling water flow: 15~18L/min

If pressure rise is less than 39.2kPa, cooling water is not needed.

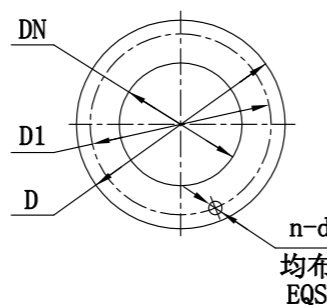
RRF型罗茨鼓风机, RRF-V型罗茨真空泵带中间轴皮带传动外形图
 OUTLINE DRAWING OF BELT DRIVE WITH COUNTER SHAFT FOR MODEL RRF ROTARY BLOWER MODEL RRF-V VACUUM PUMP



地脚螺栓孔布置图
Anchor Bolt Hole Arrangement Diagram



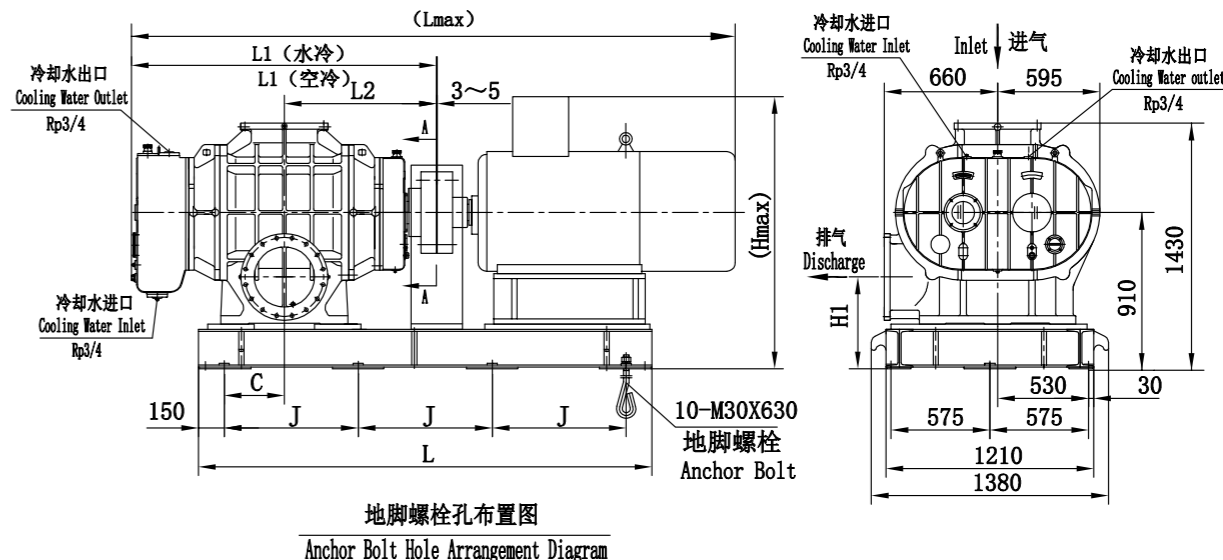
进、排气口法兰尺寸
Inlet and Outlet Flange Size



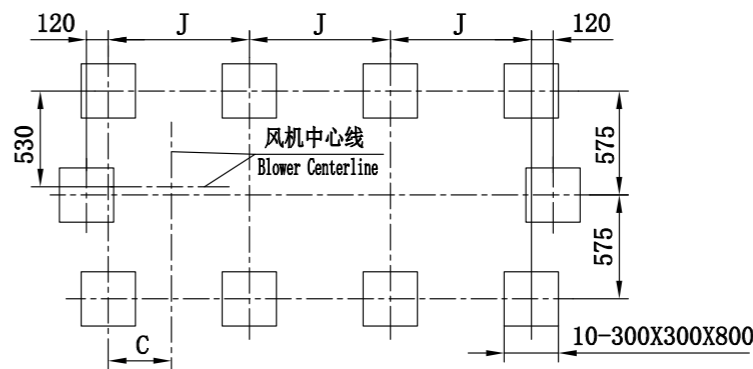
主机型号 Blower Type	配套电机 Motor	A	B	C	E	F	G	H	H1	J	J1	L	M	Hmax	Lmax	DN	D1	D	n-d
RRF-250	Y355M	785	865	90				450	1290	505	240	2055	560		2637	φ 250	φ 350	φ 395	
	Y355L												630						
RRF-290 295	Y355M	855	935	155	1120	1220	320	460	1290	550	245	2195	560	1135	2777				12-φ 22
	Y355L												630						
RRF-297 300	Y355M												560			φ 300	φ 400	φ 445	
	Y355L	935	1015	225				480	1320	600		2340	630		2937				
	Y400				800	1300	470				240	1000	1820						
RRF-350 (V)	Y355M	1020	1095	320	1120	1220	320	490	1390	660		2520	560	1135	3102	φ 350	φ 460	φ 505	16-φ 22

注: 冷却水进口温度 ≤25℃, 冷却水进口压力 196~294kPa, 冷却水进口流量 15~18L/min.
 Note: Cooling water temperature: ≤25℃, Cooling water pressure: 196~294kPa, Cooling water flow: 15~18L/min

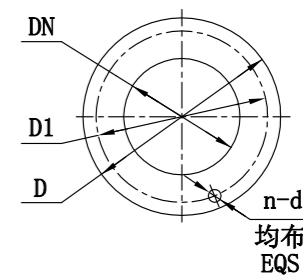
RMG型罗茨鼓风机, RMG-V、RMG-W型罗茨真空泵直联传动外形图
 (仅适用普通低压380V电机, 且合同中明确带底座)
 DIRECT DRIVE OUTLINE DRAWING FOR MODEL RMG ROTARY BLOWER, MODEL RMG-V AND MODEL RMG-W VACUUM PUMP
 (ONLY APPLICABLE TO ORDINARY LOW-VOLTAGE 380V MOTOR, AND THE CONTRACT WITH A BASE)



地脚螺栓孔布置图
Anchor Bolt Hole Arrangement Diagram



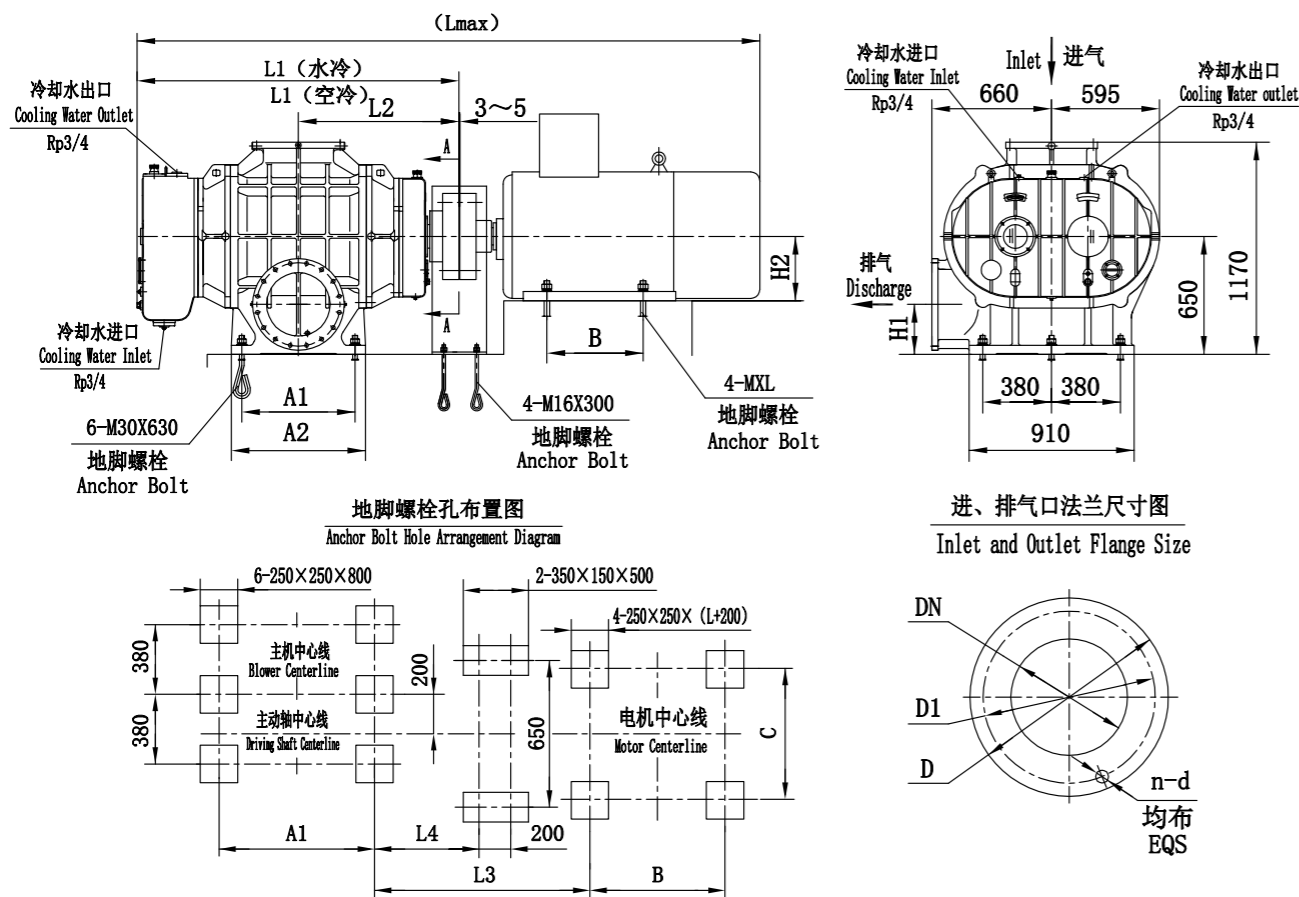
进、排气口法兰尺寸图
Inlet and Outlet Flange Size



主机型号 Blower Type	配套电机 Motor	C	J	L1		L2	L	H1	Hmax	Lmax			DN	D1	D	n-d
				水冷	空冷					水冷	空冷	空冷				
RMG-300 (V, W)	Y280	275	730	1625	1695	810	2490	535	1385	2685	2755	300	400	445	12-φ 22	
	Y315								1555	2975	3045					
	Y355								1625	3205	3275					
RMG-350 (V, W)	Y280	350	780	1775	1845	885	2640	535	1385	2835	2905	350	460	505	16-φ 22	
	Y315								1555	3125	3195					
	Y355								1625	3355	3425					
RMG-395 (V, W)	Y280	405	820	1885	1955	940	2760	560	1385	2945	3015	400	515	565	16-φ 26	
	Y315								1555	3235	3305					
	Y355								1625	3465	3535					
RMG-400 (V, W)	Y280	515	870	1985	2055	990	2910	560	1385	3045	3115	400	515	565	16-φ 26	
	Y315								1555	3335	3405					
	Y355								1625	3565	3635					

注: 冷却水进口温度 ≤25℃, 冷却水压力 196~294kPa, 冷却水流量 20~25L/min.
 当升压低于 39.2kPa时, 不需要水冷却。
 Note: Cooling water temperature: ≤25℃, Cooling water pressure: 196~294kPa, Cooling water flow: 20~25L/min
 If pressure rise is less than 39.2kPa, cooling water is not needed.

RMG型罗茨鼓风机, RMG-V、RMG-W型罗茨真空泵直联传动外形图
DIRECT DRIVE OUTLINE DRAWING FOR MODEL RMG ROTARY BLOWER, MODEL RMG-V AND MODEL RMG-W VACUUM PUMP



主机型号 Blower Type	A1	A2	L1		L2	L4	H1	Lmax		DN	D1	D	n-d
			水冷	空冷				水冷	空冷				
RMG-300 (V, W)	476	590	1625	1695	810	475	275	3785	3855	300	400	445	12- ϕ 22
RMG-350 (V, W)	630	740	1775	1845	885	473		3935	4005	350	460	505	16- ϕ 22
RMG-395 (V, W)	740	850	1885	1955	940	473	300	4045	4115	400	515	565	20- ϕ 26
RMG-400 (V, W)	960	1070	1985	2055	990			413	4145	4215	400	515	565

配套电机尺寸表 (Dimension of Motor)

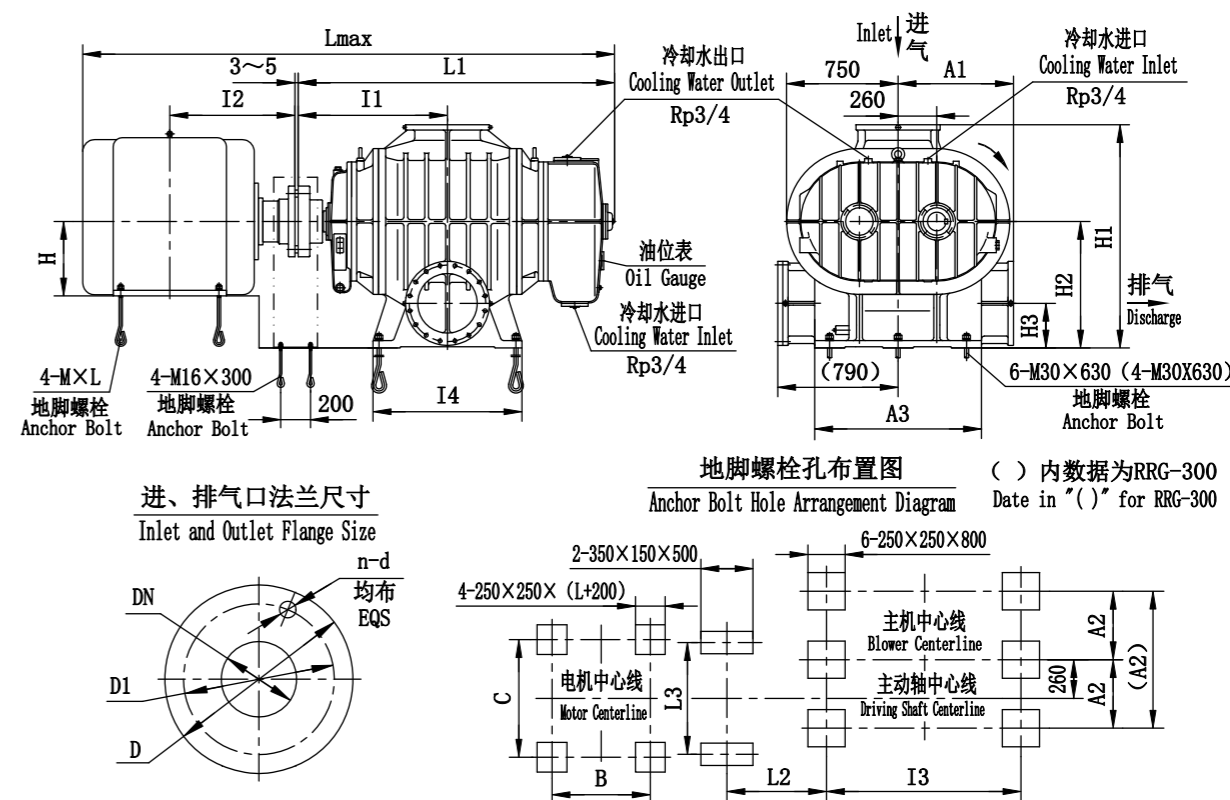
型号 Type	Y280		Y315			Y355		Y400	Y450
	S	M	S	M	L	M	L		
尺寸 Size									
B	368	419	406	457	508	560	630	1000	1120
C	457		508			610		710	800
H2	280		315			355		400	450
L3	MXL	M20X300	M24X400			M30X630			
	RMG-300 (V, W)	912	968			1006		1127	1147
	RMG-350 (V, W)	910	966			1004		1125	1145
	RMG-395 (V, W)	910	966			1004		1125	1145
	RMG-400 (V, W)	850	906			944		1065	1085

注: 冷却水进口温度 $\leq 25^{\circ}\text{C}$, 冷却水压力 196~294kPa, 冷却水流量 20~25L/min.

当升压低于 39.2kPa时, 不需要水冷却。

Note: Cooling water temperature: $\leq 25^{\circ}\text{C}$, Cooling water pressure: 196~294kPa, Cooling water flow: 20~25L/min
If pressure rise is less than 39.2kPa, cooling water is not needed.

RRG型罗茨鼓风机, RRG-V、RRG-W型罗茨真空泵直联传动外形图
DIRECT DRIVE OUTLINE DRAWING FOR MODEL RRG ROTARY BLOWER, MODEL RRG-V AND MODEL RRG-W VACUUM PUMP



主机型号(Blower Type)	A1	A2	A3	H1	H2	H3	Lmax	L1	L2	I1	I3	I4	DN	D1	D	n-d
RRG-300 (V, W)	769	1200	1300	1490	760	330	4845	1835	682	870	380	590	300	400	440	12-M20
RRG-350 (V, W)	775	460	1120	1475	825	275	4955	1945	537	925	780	900	350	460	505	16- ϕ 22
RRG-400 (V, W)				850	300	5135	2125	577	1015	880	1000	400	515	565	16- ϕ 26	
RRG-445 (V, W)	800	480	1160	1500	750	315	5355	2345	627	1125	1000	1150	450	565	615	20- ϕ 26
RRG-450 (V, W)				800	350	5965	2655	642	1280	1280	1400	500	620	670		

配套电机尺寸表 (Dimension of Motor)

电机型号 Motor	Y280		Y315		Y355		Y400	Y450	Y500	Y560	
	M	S	M	L	M	L					
B	419	406	457	508	560	630	1000	1120	1250	1400	
C	457		508			610		710	800	900	1000
H	280		315			355		400	450	500	560
M×L	M20X300		M24×400				M30×630		M36×800		
I2	545	594	620	645	709	744	1050	1170	1355	1505	
L3	650								750		

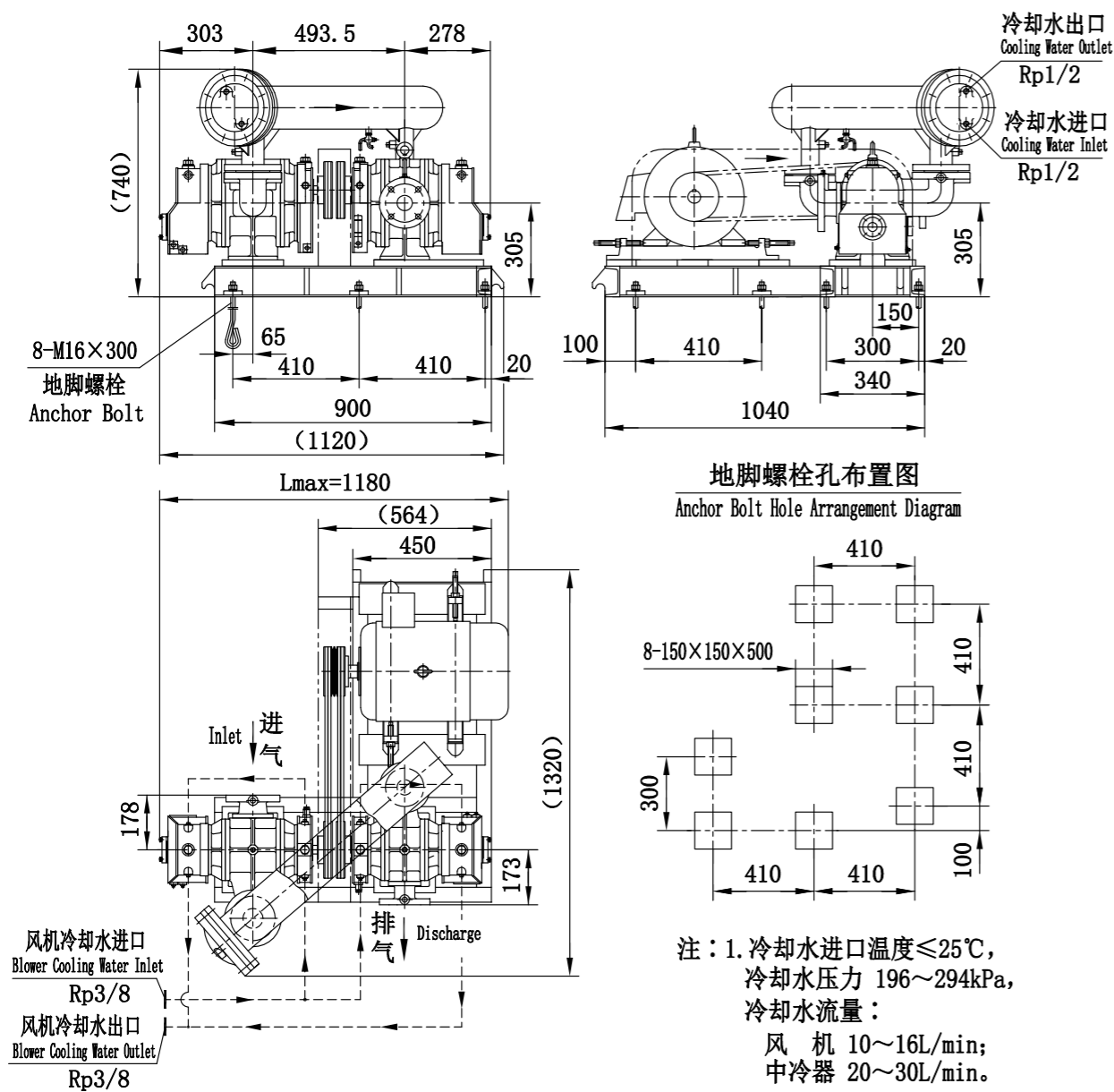
注: 冷却水进口温度 $\leq 25^{\circ}\text{C}$, 冷却水压力 196~294kPa, 冷却水流量 20~25L/min.

当升压低于39.2kPa时, 副油箱不需要水冷却, 主油箱仍需要水冷却。

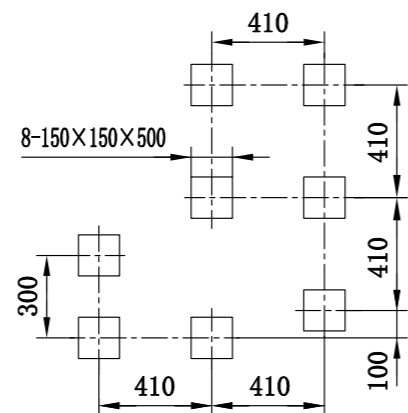
Note: Cooling water temperature: $\leq 25^{\circ}\text{C}$, Cooling water pressure: 196~294kPa, Cooling water flow: 20~25L/min
If pressure rise is less than 39.2kPa, cooling water is not needed for secondary oil tank, but still needed for master oil tank.

TRRB-65型二级高压罗茨鼓风机皮带传动外形图

BELT DRIVE OUTLINE DRAWING FOR MODEL TRRB-65 HIGH PRESSURE TWO-STAGE ROTARY BLOWER



地脚螺栓孔布置图
Anchor Bolt Hole Arrangement Diagram



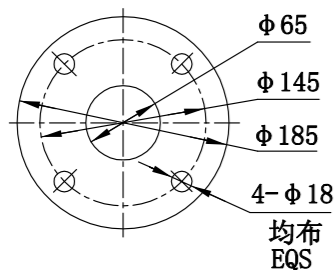
注：1. 冷却水进口温度 $\leq 25^{\circ}\text{C}$ ，
冷却水压力 196~294kPa，
冷却水流量：
风机 10~16L/min；
中冷器 20~30L/min。

2. 机组适用电机：Y160M-2、
Y160L-2、Y132S-4、
Y132M-4、Y160M-4、
Y160L-4。

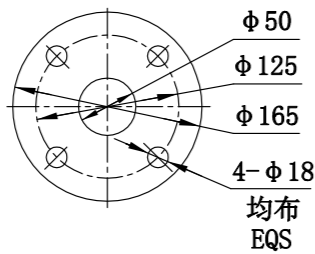
Notes: 1. Cooling water Temperature $\leq 25^{\circ}\text{C}$
Pressure 196~294kPa
Flow rate:
Blower : 10~16L/min.
Intercooler : 20~30L/min.

2. Applicable motor : Y160M-2、
Y160L-2、Y132S-4、
Y132M-4、Y160M-4、
Y160L-4。

进气口法兰尺寸
Inlet Flange Size

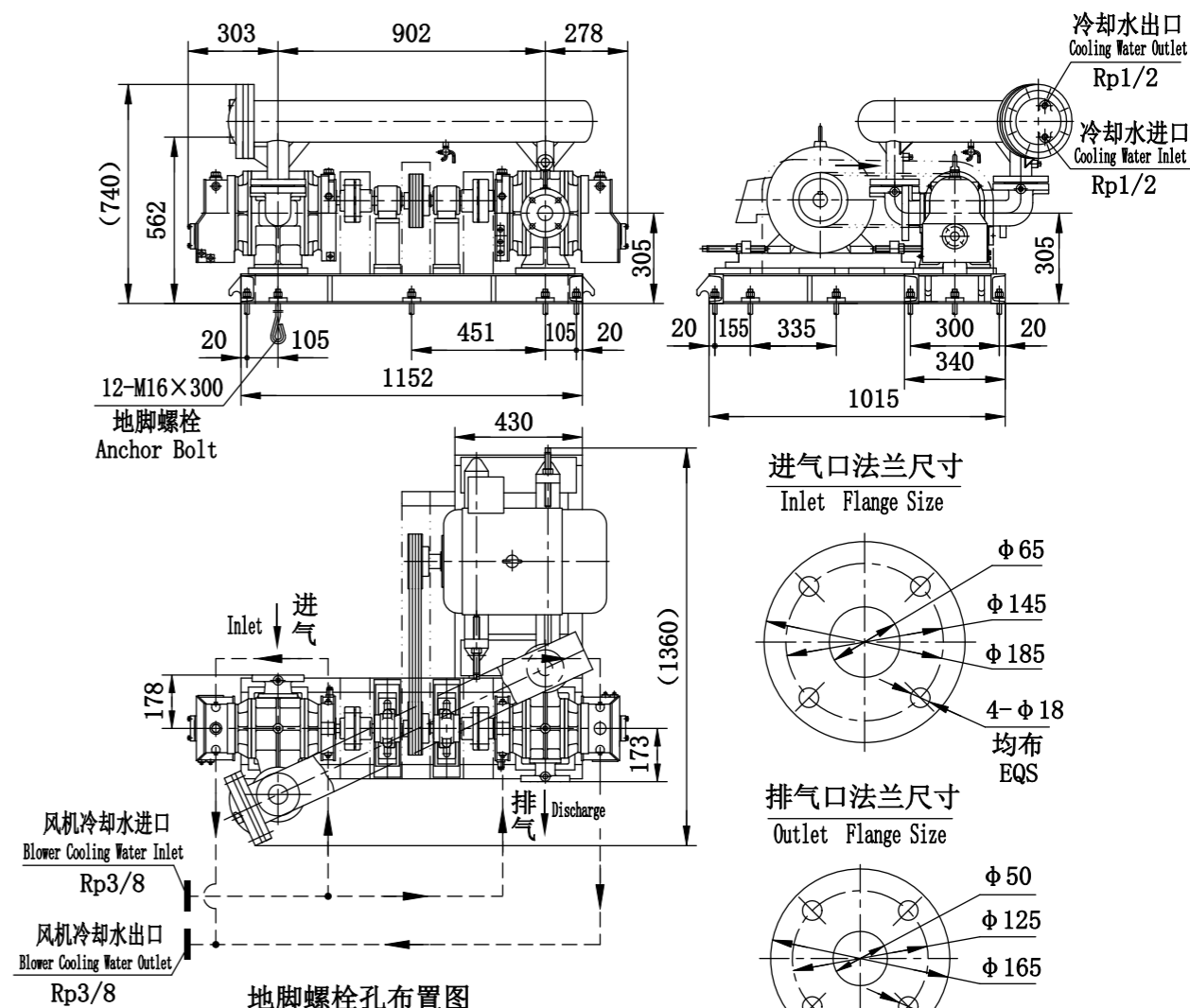


排气口法兰尺寸
Outlet Flange Size

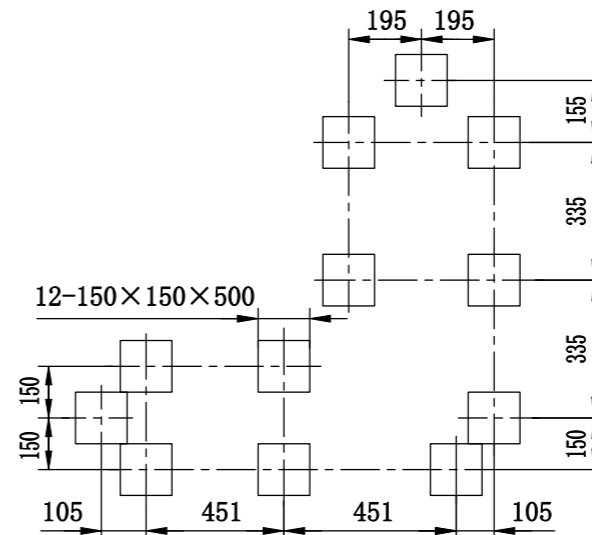


TRRB-65型二级高压罗茨鼓风机带中间轴皮带传动外形图

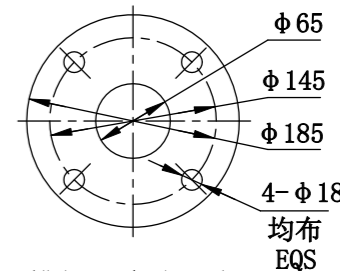
OUTLINE DRAWING OF BELT DRIVE WITH COUNTER SHAFT FOR MODEL TRRB-65 HIGH PRESSURE TWO-STAGE ROTARY BLOWER



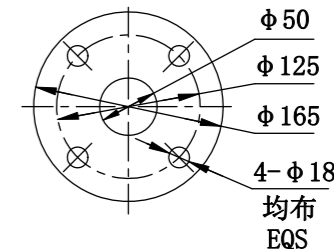
地脚螺栓孔布置图
Anchor Bolt Hole Arrangement Diagram



进气口法兰尺寸
Inlet Flange Size



排气口法兰尺寸
Outlet Flange Size



注：1. 冷却水进口温度 $\leq 25^{\circ}\text{C}$ ，
冷却水压力 196~294kPa，
冷却水流量：

风机 10~16L/min；
中冷器 20~30L/min。

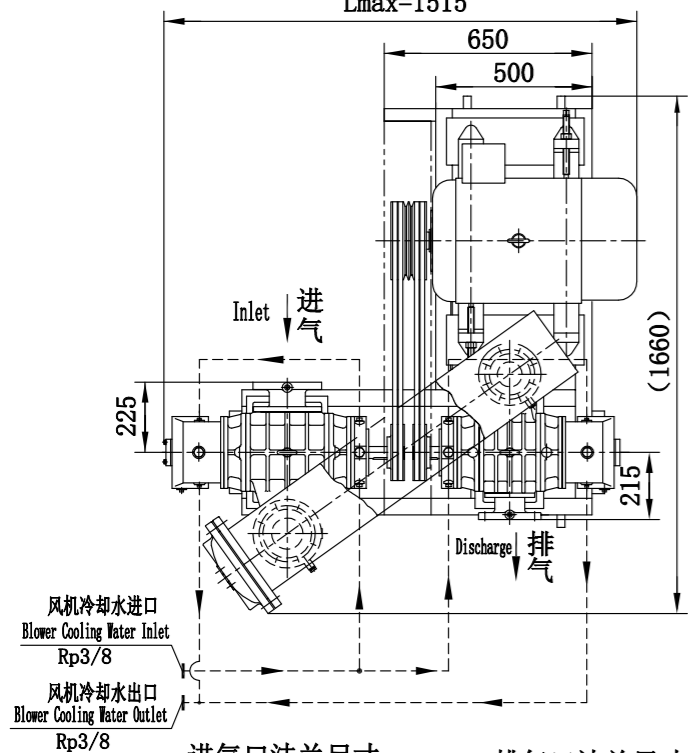
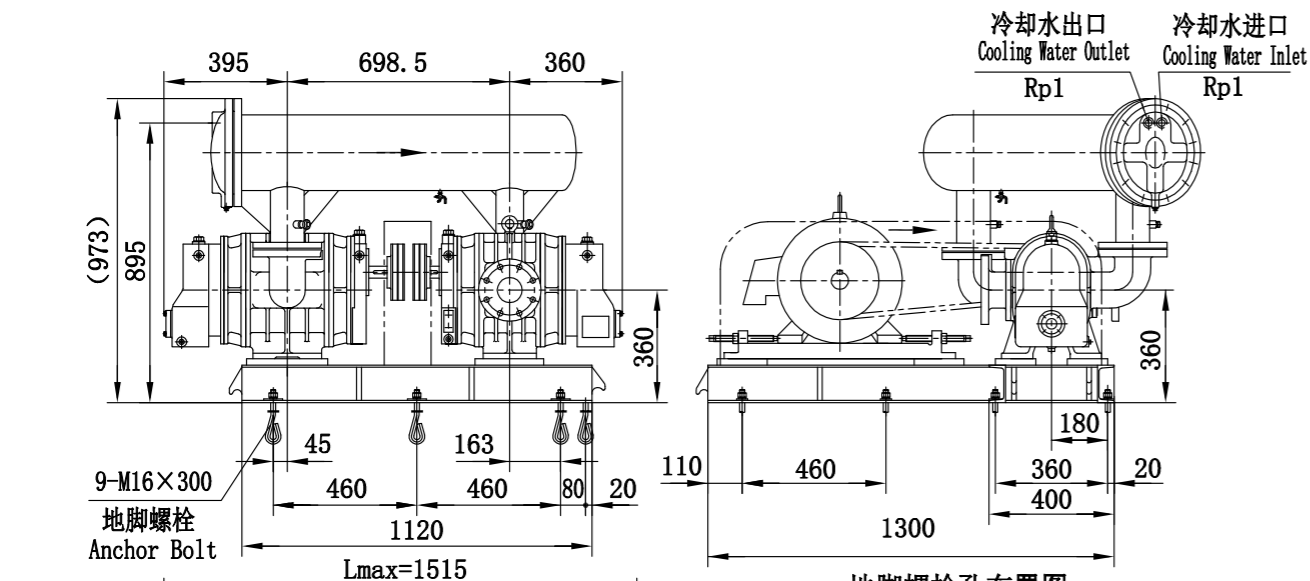
2. 机组适用电机：Y160L-4、Y180M-2。

Notes: 1. Cooling water Temperature $\leq 25^{\circ}\text{C}$
Pressure 196~294kPa
Flow rate:
Blower : 10~16L/min.
Intercooler : 20~30L/min.

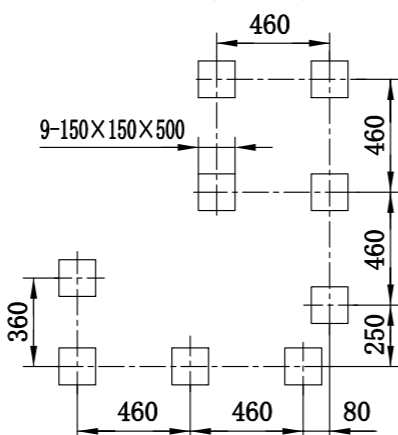
2. Applicable motor : Y160L-4、Y180M-2。

TRRC-100型二级高压罗茨鼓风机皮带传动外形图

BELT DRIVE OUTLINE DRAWING FOR MODEL TRRC-100 HIGH PRESSURE TWO-STAGE ROTARY BLOWER



地脚螺栓孔布置图
Anchor Bolt Hole Arrangement Diagram



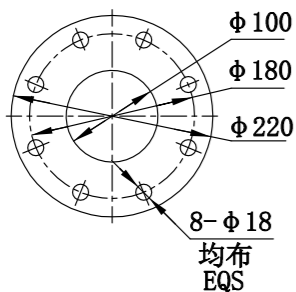
注：1. 冷却水进口温度 $\leq 25^{\circ}\text{C}$ ，
冷却水压力 196~294kPa，
冷却水流量：
风机 10~16L/min；
中冷器 50~60L/min。

2. 机组适用电机：Y200L-2、Y160L-4、
Y180M-4、Y180L-4、Y200L-4。

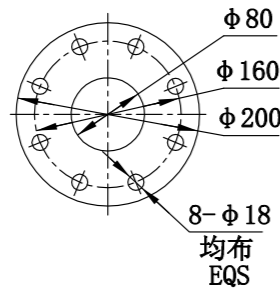
Notes: 1. Cooling water Temperature $\leq 25^{\circ}\text{C}$
Pressure 196~294kPa
Flow rate:
Blower : 10~16L/min.
Intercooler : 50~60L/min.

2. Applicable motor : Y200L-2、Y200L-4、
Y180M-4、Y180L-4、Y200L-4。

进气口法兰尺寸
Inlet Flange Size

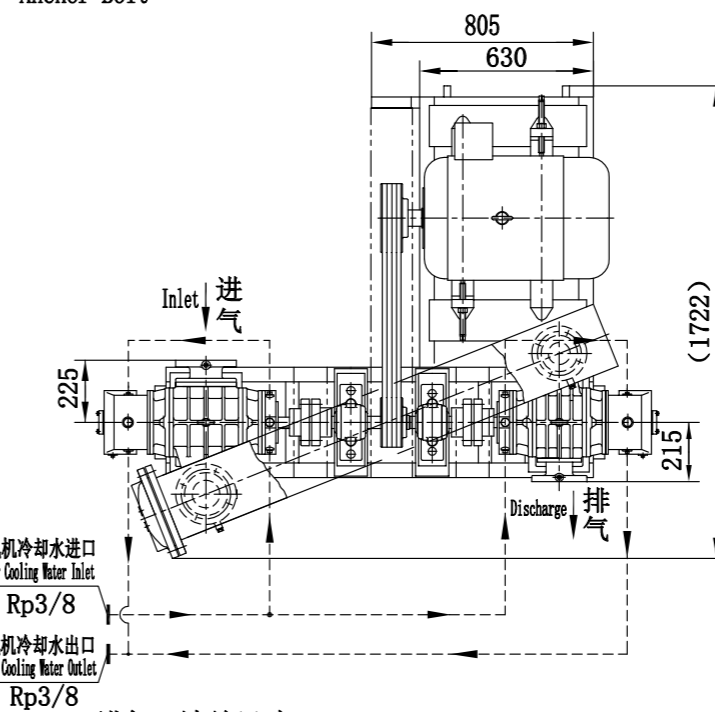
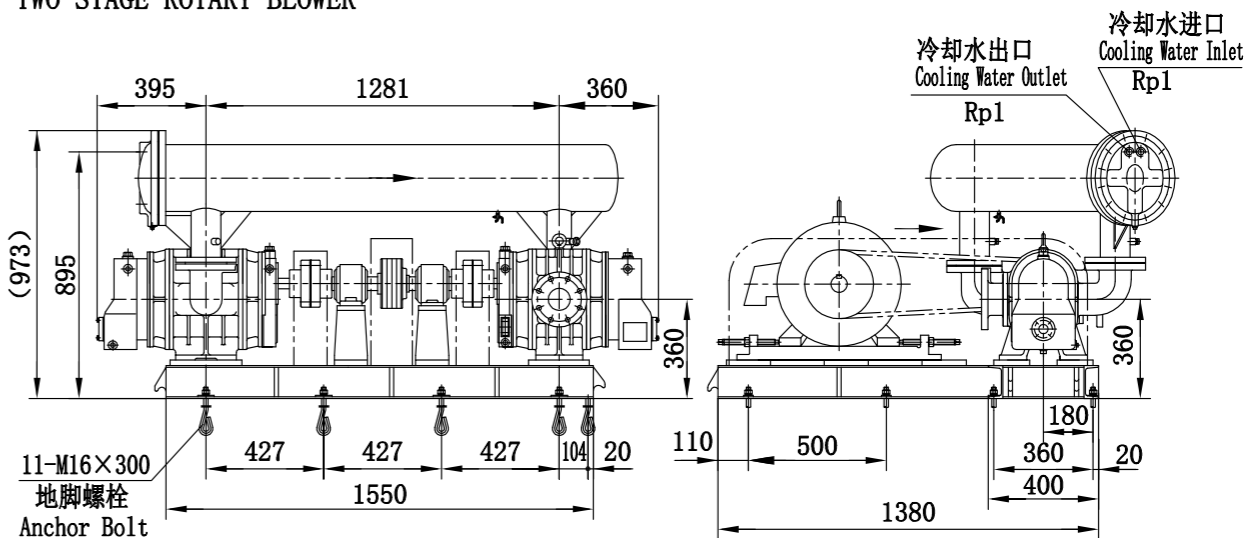


排气口法兰尺寸
Outlet Flange Size

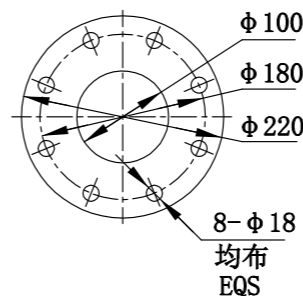


TRRC-100型二级高压罗茨鼓风机带中间轴皮带传动外形图

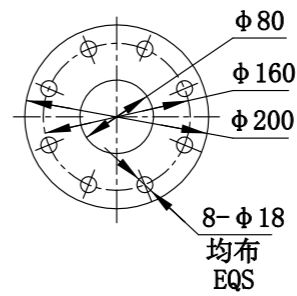
OUTLINE DRAWING OF BELT DRIVE WITH COUNTER SHAFT FOR MODEL TRRC-100 HIGH PRESSURE TWO-STAGE ROTARY BLOWER



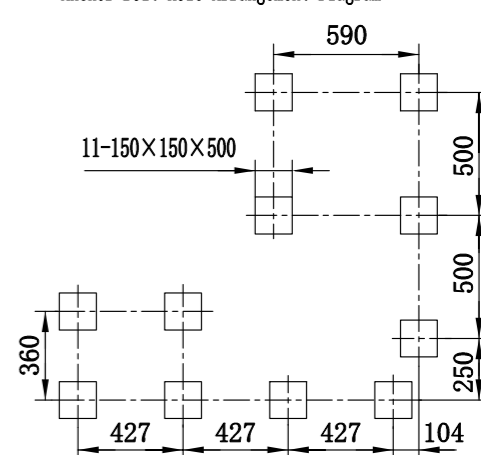
进气口法兰尺寸
Inlet Flange Size



排气口法兰尺寸
Outlet Flange Size



地脚螺栓孔布置图
Anchor Bolt Hole Arrangement Diagram



注：1. 冷却水进口温度 $\leq 25^{\circ}\text{C}$ ，
冷却水压力 196~294kPa，
冷却水流量：
风机 10~16L/min；
中冷器 50~60L/min。

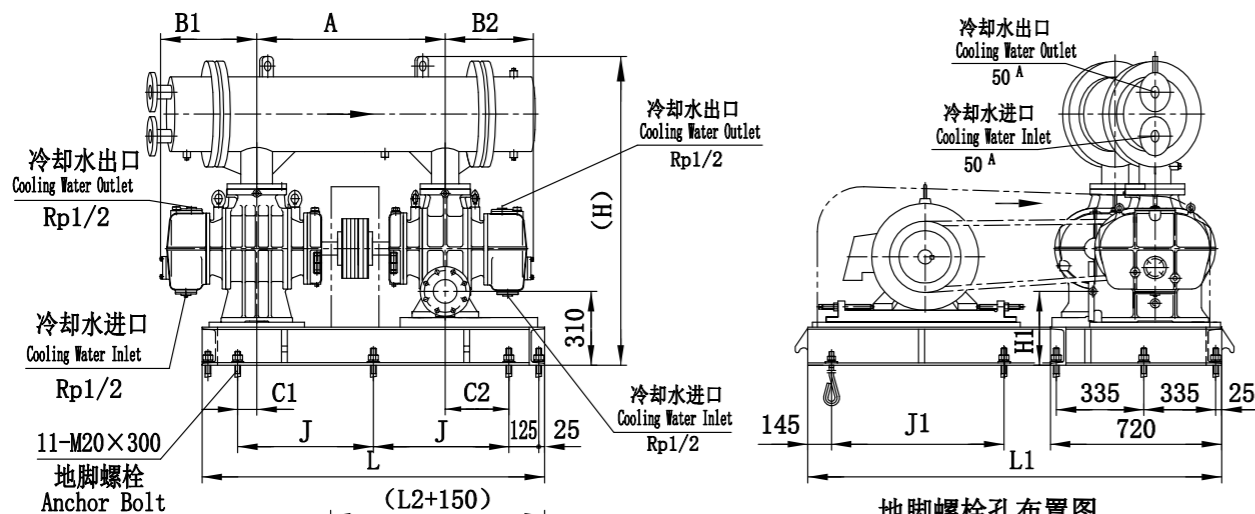
2. 机组适用电机：Y200L-2、Y200L-4、
Y225M-2、Y225S-4。

Notes: 1. Cooling water Temperature $\leq 25^{\circ}\text{C}$
Pressure 196~294kPa
Flow rate:

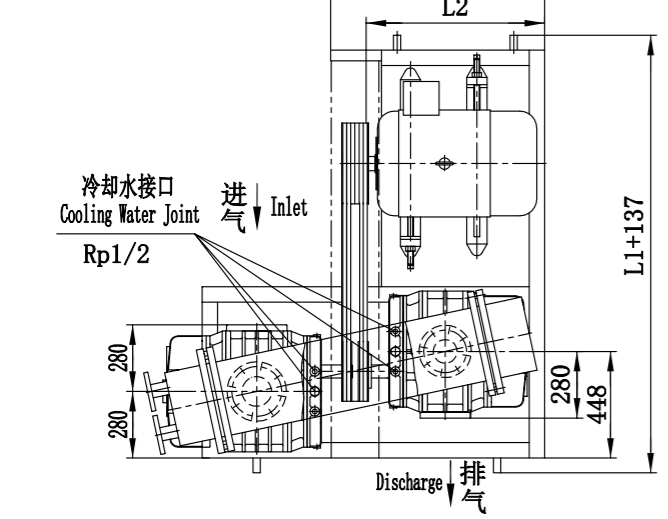
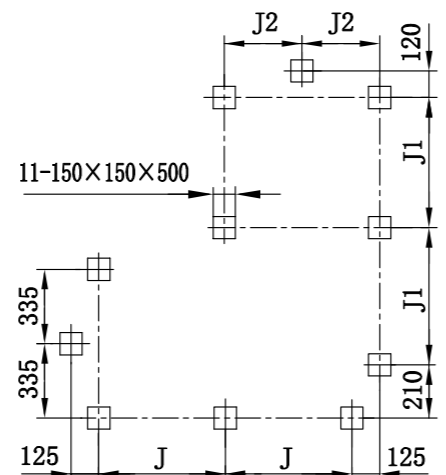
Blower : 10~16L/min.
Intercooler : 50~60L/min.
2. Applicable motor : Y200L-2、Y200L-4、
Y225M-2、Y225S-4

TRRD型二级高压罗茨鼓风机皮带传动外形图

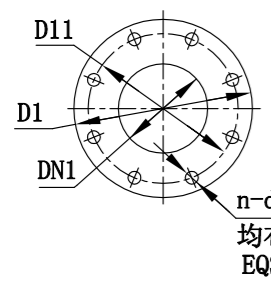
BELT DRIVE OUTLINE DRAWING FOR MODEL TRRD HIGH PRESSURE TWO-STAGE ROTARY BLOWER



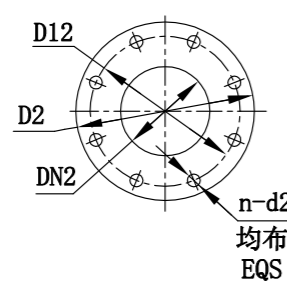
地脚螺栓孔布置图
Anchor Bolt Hole Arrangement Diagram



进气口法兰尺寸
Inlet Flange Size



排气口法兰尺寸
Outlet Flange Size

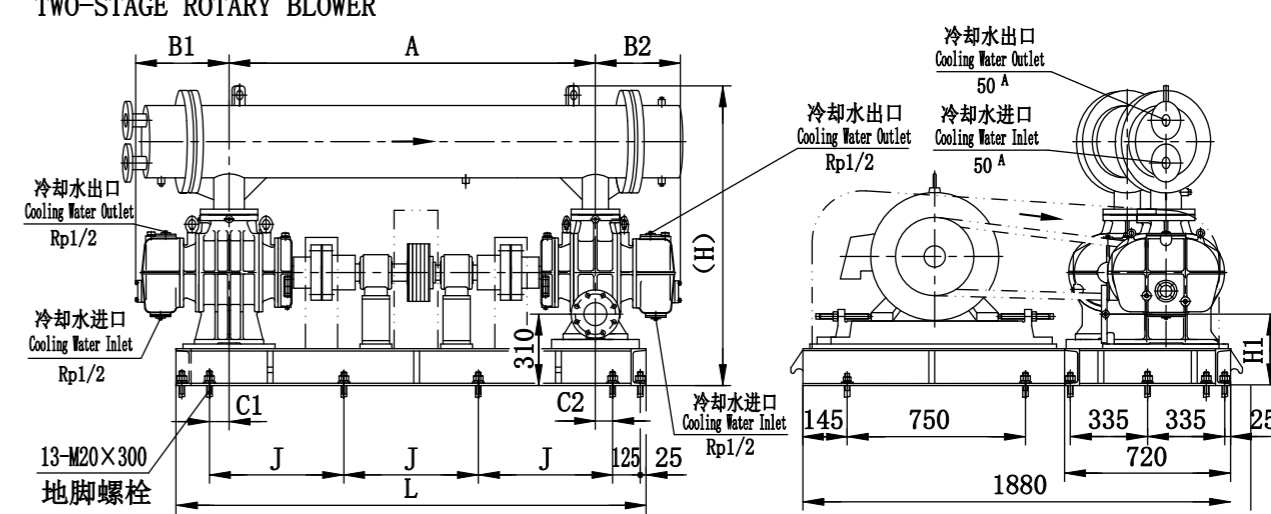


注：冷却水进口温度 $\leq 25^{\circ}\text{C}$ ，
冷却水压力196~294kPa，
风机冷却水流量8~10L/min (单机)
中间冷却器冷却水流量0.1~0.2m³/min
Note: Cooling water temperature: $\leq 25^{\circ}\text{C}$ ，
Cooling water pressure: 196~294kPa，
Cooling water flow: 8~10L/min (single blower)
Intercooler Cooling water flow: 0.1~0.2m³/min

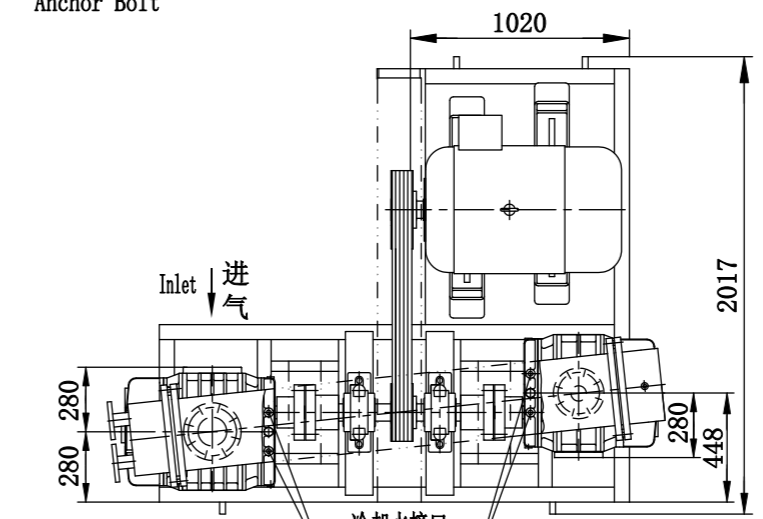
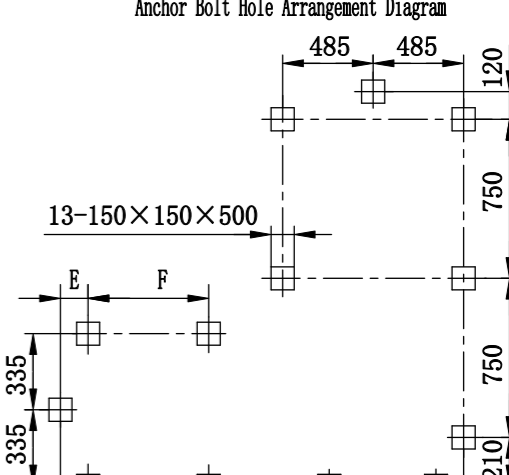
主机型号 Blower type	配套电机 Motor	A	B1	B2	C1	C2	J	J1	J2	L	L1	L2	H1	H	DN1	D11	D1	DN2	D12	D2	n-d1	n-d2
TRRD-125	Y180, Y200, Y225 Y250, Y280	792	404	374	80	218	545			1390				310	$\phi 125$	$\phi 210$	$\phi 250$	$\phi 100$	$\phi 180$	$\phi 220$	8- $\phi 18$	
TRRD-130	Y200, Y225, Y250, Y280	917	464	404	130	183	615	680	325	1530	1740	700		1390	$\phi 125$	$\phi 210$	$\phi 250$	$\phi 125$	$\phi 210$	$\phi 250$		8- $\phi 18$
TRRD-150	Y225, Y250, Y280 Y315	1047	504	464	160	133	670	750	390	1640	1880	830	340		$\phi 150$	$\phi 240$	$\phi 285$				8-M20	

TRRD型二级高压罗茨鼓风机带中间轴皮带传动外形图

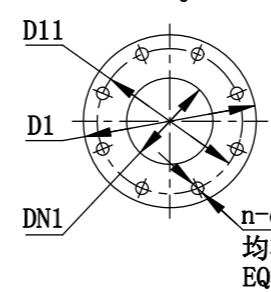
OUTLINE DRAWING OF BELT DRIVE WITH COUNTER SHAFT FOR MODEL TRRD HIGH PRESSURE TWO-STAGE ROTARY BLOWER



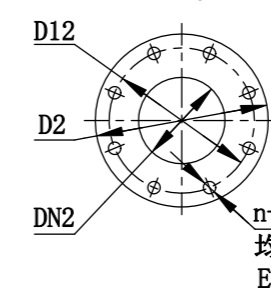
地脚螺栓孔布置图
Anchor Bolt Hole Arrangement Diagram



进气口法兰尺寸
Inlet Flange Size



排气口法兰尺寸
Outlet Flange Size

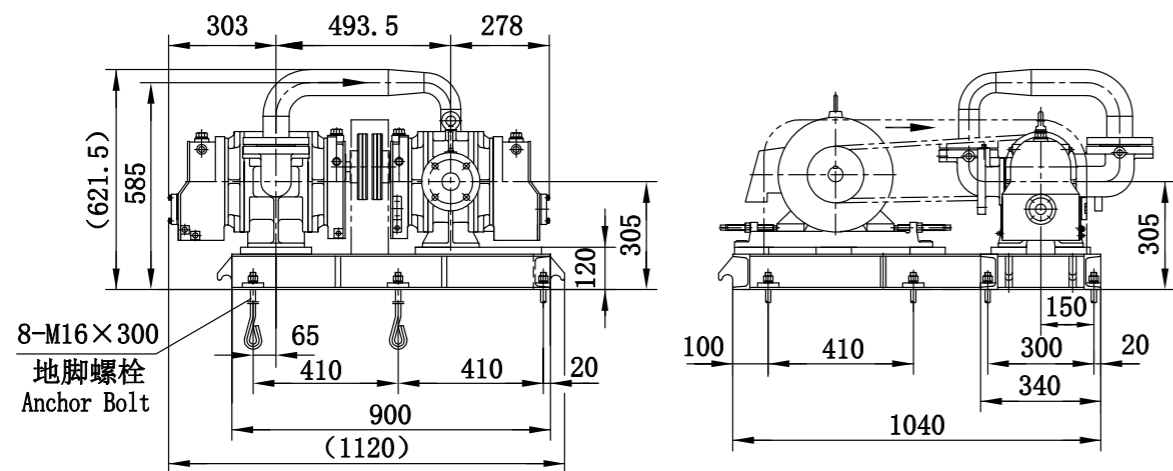


注：1. 冷却水进口温度 $\leq 25^{\circ}\text{C}$ ，
冷却水压力196~294kPa，
风机冷却水流量8~10L/min (单机)
中间冷却器冷却水流量0.1~0.2m³/min
2. 机组适用电机：Y280S-4, Y280M-4, Y315S-4
Note: 1. Cooling water temperature: $\leq 25^{\circ}\text{C}$ ，
Cooling water pressure: 196~294kPa，
Cooling water flow: 8~10L/min (single blower)
Intercooler Cooling water flow: 0.1~0.2m³/min
2. Applicable motor: Y280S-4, Y280M-4, Y315S-4

主机型号	A	B1	B2	C1	C2	E	F	J	L	H1	H	DN1	D11	D1	DN2	D12	D2	n-d1	n-d2
TRRD-125	1590	404	374	80	70	125	580	580	2040	310	1300	$\phi 125$	$\phi 210$	$\phi 250$	$\phi 100$	$\phi 180$	$\phi 220$	8- $\phi 18$	
TRRD-130	1715	464	404	125	80	140	710	640	2220	310	1300	$\phi 125$	$\phi 210$	$\phi 250$	$\phi 125$	$\phi 210$	$\phi 250$		8- $\phi 18$
TRRD-150	1845	504	464	155	130	125	710	710	2430	340	1330	$\phi 150$	$\phi 240$	$\phi 285$	$\phi 125$	$\phi 210$	$\phi 250$	8-M20	

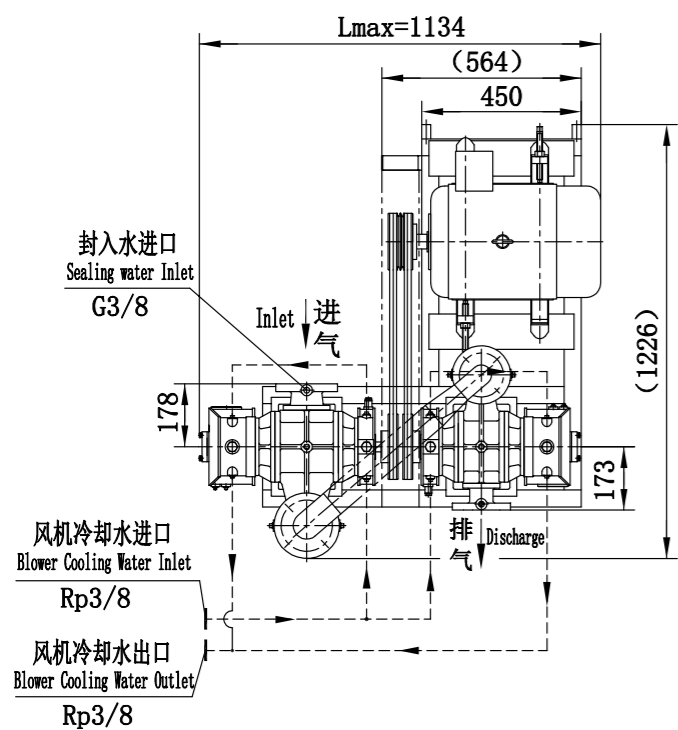
TRRB-65W型二级湿式高真空度罗茨真空泵皮带传动外形图

BELT DRIVE OUTLINE DRAWING FOR MODEL TRRB-65W HIGH PRESSURE TWO-STAGE VACUUM PUMP



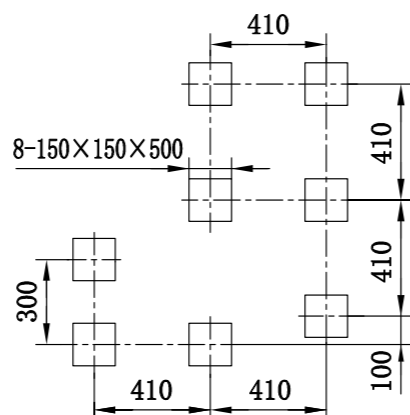
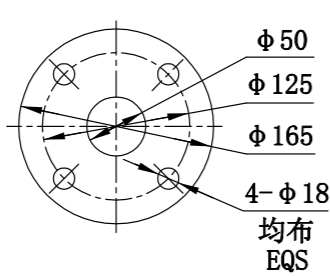
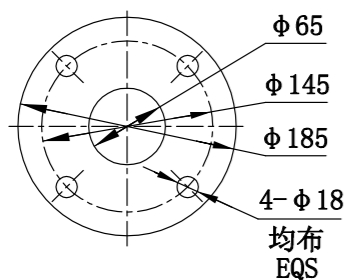
地脚螺栓孔布置图

Anchor Bolt Hole Arrangement Diagram



进气口法兰尺寸
Inlet Flange Size

排气口法兰尺寸
Outlet Flange Size

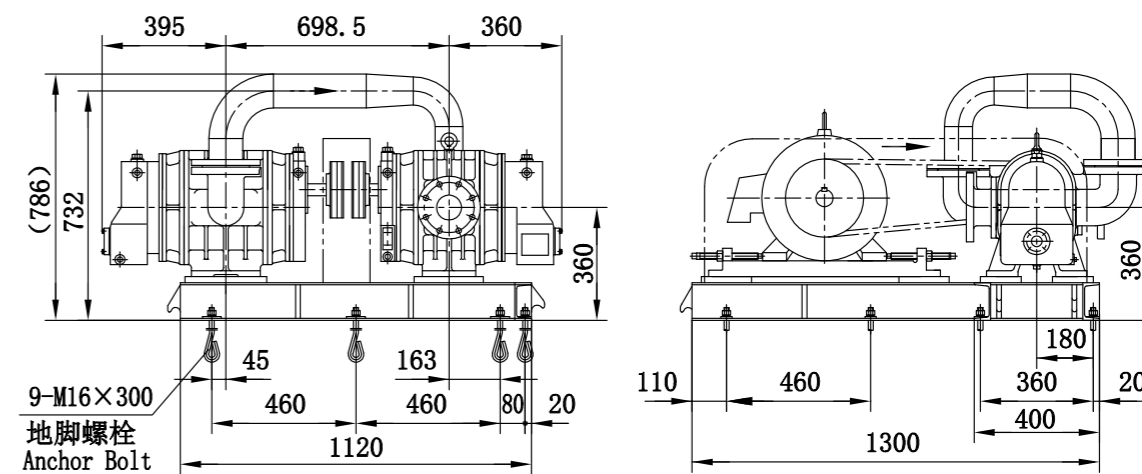


- 注：1. 冷却水进口温度 $\leq 25^{\circ}\text{C}$ ，
冷却水压力 196~294kPa，
冷却水流量 10~16L/min。
2. 机组适用电机：Y132S-2、Y160M-2、
Y132S-4、Y132M-4。

Note: 1. Cooling water temperature: $\leq 25^{\circ}\text{C}$ ，
Cooling water pressure: 196~294kPa，
Cooling water flow: 10~16L/min
2. Applicable motor: Y132S-2、Y160M-2、
Y132S-4、Y132M-4。

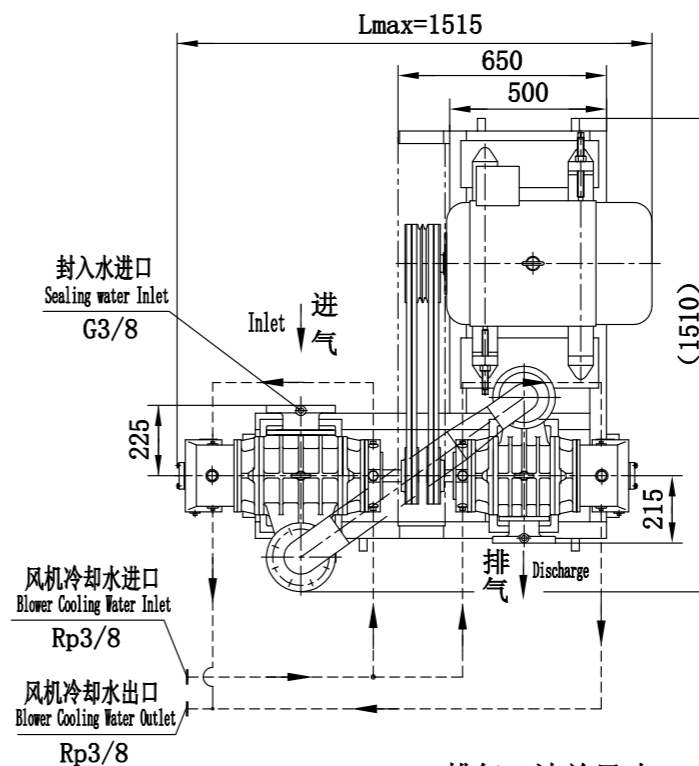
TRRC-100W型二级湿式高真空度罗茨真空泵皮带传动外形图

BELT DRIVE OUTLINE DRAWING FOR MODEL TRRC-100W HIGH PRESSURE TWO-STAGE VACUUM PUMP



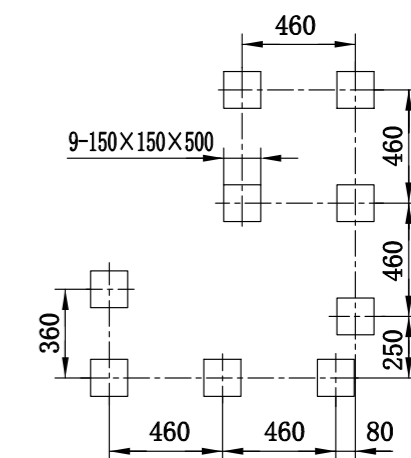
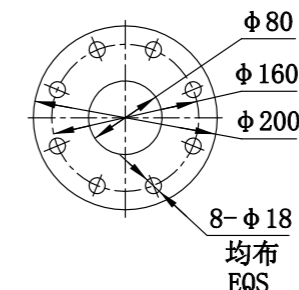
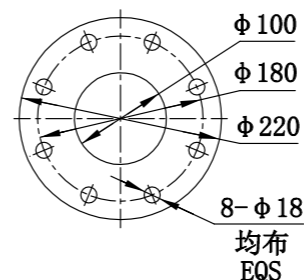
地脚螺栓孔布置图

Anchor Bolt Hole Arrangement Diagram



进气口法兰尺寸
Inlet Flange Size

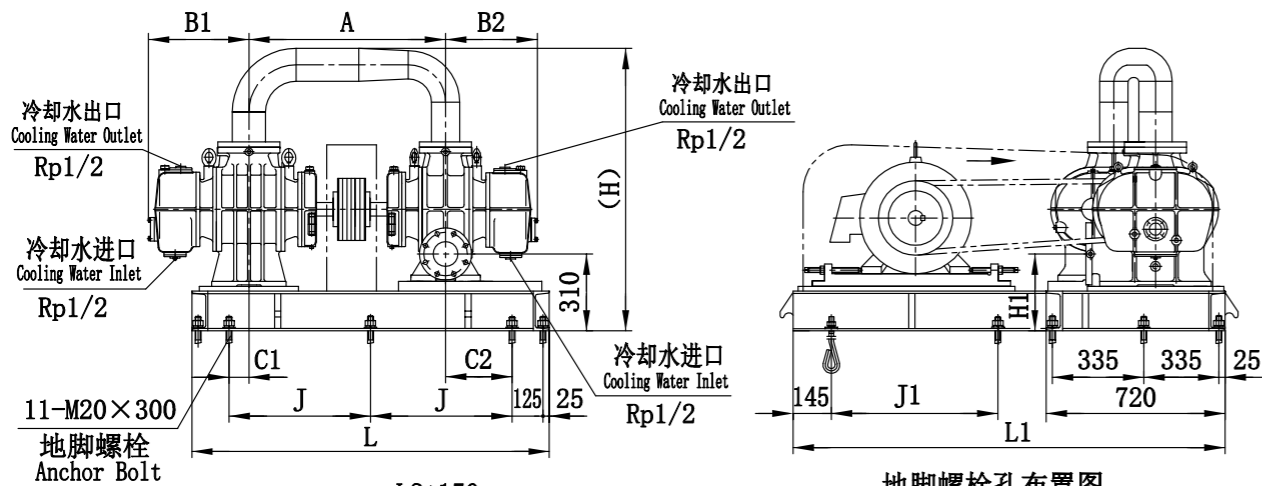
排气口法兰尺寸
Outlet Flange Size



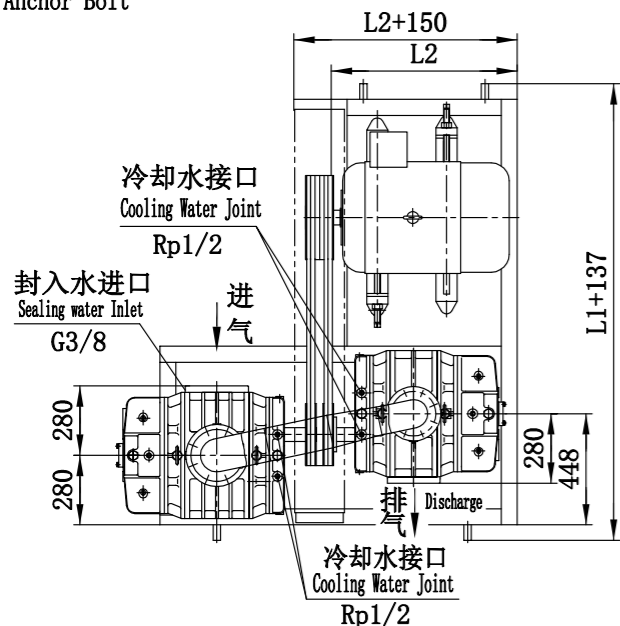
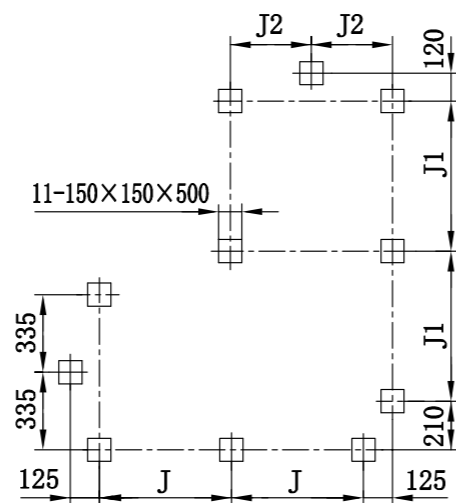
- 注：1. 冷却水进口温度 $\leq 25^{\circ}\text{C}$ ，
冷却水压力 196~294kPa，
冷却水流量 10~16L/min。
2. 机组适用电机：Y160L-2、Y180M-2、
Y200L-2、Y160M-4、Y160L-4、Y180M-4。

Note: 1. Cooling water temperature: $\leq 25^{\circ}\text{C}$ ，
Cooling water pressure: 196~294kPa，
Cooling water flow: 10~16L/min
2. Applicable motor: Y160L-2、Y180M-2、
Y200L-2、Y160M-4、Y160L-4、Y180M-4。

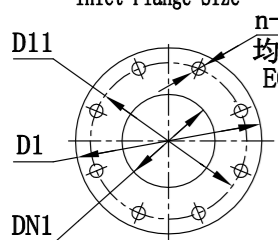
TRRD-W型二级湿式高真空度罗茨真空泵皮带传动外形图
BELT DRIVE OUTLINE DRAWING FOR MODEL TRRD-W HIGH PRESSURE TWO-STAGE VACUUM PUMP



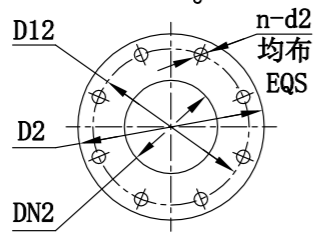
地脚螺栓孔布置图
Anchor Bolt Hole Arrangement Diagram



进气口法兰尺寸
Inlet Flange Size



排气口法兰尺寸
Outlet Flange Size



注：冷却水进口温度 $\leq 25^{\circ}\text{C}$ ，
冷却水压力196~294kPa，
冷却水流量8~10L/min (单机)
Note: Cooling water temperature: $\leq 25^{\circ}\text{C}$ ，
Cooling water pressure: 196~294kPa，
Cooling water flow: 8~10L/min (single blower)

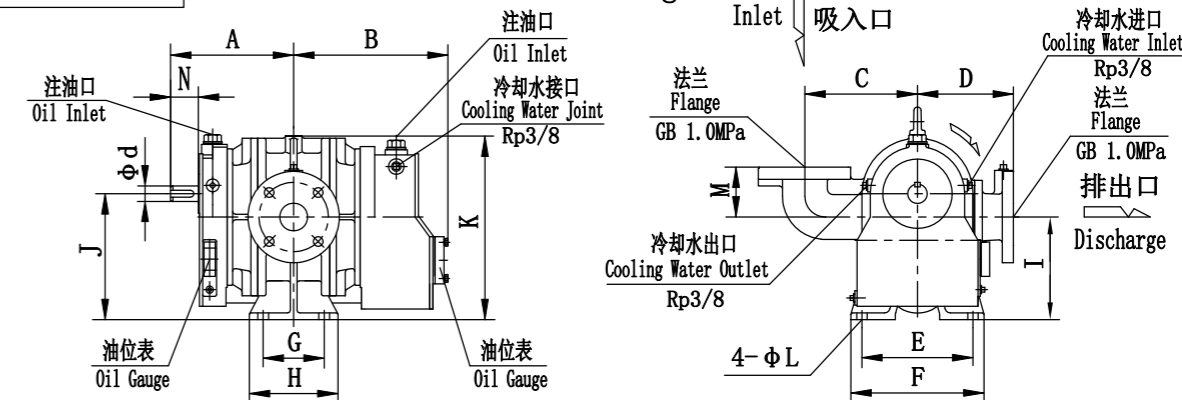
主机型号 Blower type	配套电机 Motor	A	B1	B2	C1	C2	J	J1	J2	L	L1	L2	H1	H	DN1	D11	D1	DN2	D12	D2	n-d1	n-d2
TRRD-125W	Y160, Y180, Y200, Y225	792	404	374	80	218	545			1390			310		$\phi 125$	$\phi 210$	$\phi 250$	$\phi 100$	$\phi 180$	$\phi 220$	8- $\phi 18$	8- $\phi 18$
TRRD-130W	Y180, Y200, Y225, Y250	917	464	404	130	183	615	680	325	1530	1740	700		1050				$\phi 125$	$\phi 210$	$\phi 250$		
TRRD-150W	Y180, Y200, Y225, Y250, Y280	1047	504	464	160	133	670			1640			340		$\phi 150$	$\phi 240$	$\phi 285$				8-M20	

■ 主机尺寸 MAIN FRAME DIMENSION

标准型风机的回转方向，由主动端视去，为顺时针回转，在特殊情况下需逆时针回转时，请定货时注明，因RR型风机制造中采用偏心加工技术，所以如对标准产品不加调整，不能用作逆时针回转。

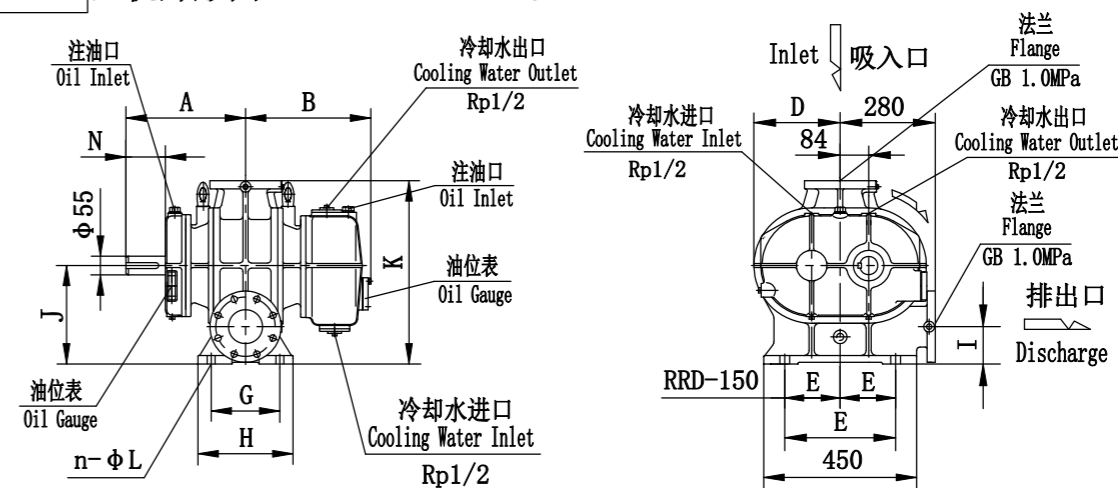
The blower direction should be clockwise viewed from drive end. If anti-clockwise rotary direction is necessary, please state in order. As the casing is processed eccentricly, so if adjustment is not made to the standard model, the blower should be damaged.

RRB、RRC 主机外形图 Outline Drawing



主机型号 Blower type	口径 Bore	A	B	C	D	E	F	G	H	I	J	K	L	M	N	d	重量 (kg) Weight
RRB-50	50 ^A	222	271	203	173	200	240	110	160	185	227	331	19	90	51	28	80
RRB-65	65 ^A	258	296	223	178	260	320	100	170	220	277	406	24	100	62	38	90
RRC-80	80 ^A	310	330	250	215	260	320	100	170	220	277	406	24	120	83	38	160
RRC-100	100 ^A	375	365	260	225	260	320	150	220	277	406	406	24	130	113	38	190

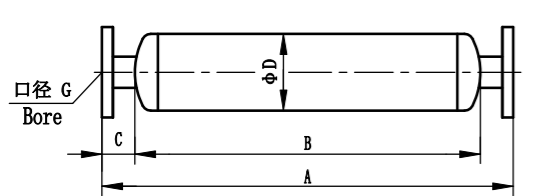
RRD 主机外形图 Outline Drawing



主机型号 Blower type	口径 Bore	A	B	D	E	G	H	I	J	K	n-phi L	N	重量 (kg) Weight	备注 Remarks
RRD-100	100 ^A	365	362		350	200	280	110	290	540		127	295	
RRD-125		400	397			220	300				4-phi 28		360	
RRD-127	125 ^A	490	457	254	300	340	400	130	310	560			410	
RRD-130												157	410	
RRD-150	150 ^A	530	497		175	400	460	150	300	625	6-phi 23		530	排出口法兰: 8-M20 丝深31 Discharge Flange: 8-M20 Depth 31

■ 特殊附属品尺寸 SPECIAL ACCESSORIES DIMENSION

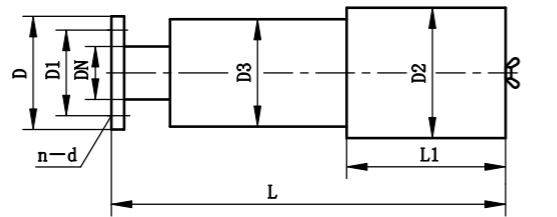
KM & KMR 型消声器 Type KM & KMR Silencer



(GB 1.0MPa 法兰 Flange)

型号 Type	G	A	B	C	D	重量kg Weight
KM-50	50 ^A	600	480	60	140	13
KM-65	65 ^A	700	560	70	165	17
KM-80	80 ^A	900	740	80	190	23
KM-100	100 ^A	1200	1040	80	217	33
KM-125	125 ^A	1400	1210	95	260	45
KM-150	150 ^A	1600	1410	95	281	61
KMR-200	200 ^A	1300	940	180	461	71
KMR-250	250 ^A	1500	1140	180	516	108
KMR-300	300 ^A	1900	1420	240	618	163
KMR-350	350 ^A	2000	1520	240	668	190
KMR-400	400 ^A	2200	1720	240	718	236
KMR-450	450 ^A	2400	1920	240	768	267
KMR-500	500 ^A	2600	2120	240	818	327

XF 型进口消声器 Type XF Inlet Silencer



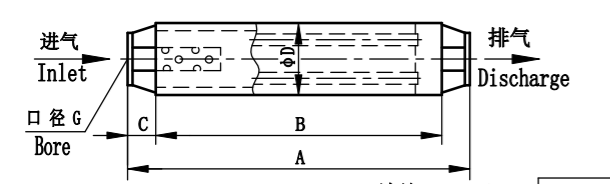
(GB 1.0MPa 法兰 Flange)

型号 Type	消声器外形尺寸 Size							n-d	重量kg Weight
	DN	D	D1	D2	D3	L	L1		
XF-50	φ50	φ165	φ125	φ190	φ165	612	300	4-φ19	11
XF-65	φ65	φ185	φ145	φ242	φ216	702	350	4-φ19	16
XF-80	φ80	φ200	φ160	φ267	φ242	800	400	8-φ19	21
XF-100	φ100	φ220	φ180	φ320	φ268	990	550	8-φ19	30
XF-125	φ125	φ250	φ210	φ356	φ319	1120	600	8-φ19	32
XF-150	φ150	φ285	φ240	φ440	φ380	1450	750	8-φ23	41
XF-200	φ200	φ340	φ295	φ600	φ430	1775	650	8-φ23	63
XF-250	φ250	φ395	φ350	φ650	φ420	2195	900	12-φ22	147
XF-300	φ300	φ445	φ400	φ790	φ590	2650	870	12-φ22	233

KMB 型排气消声器 Type KMB Discharge Silencer

在需要脉动量特别小的情况下，或者在需要防止吸音材料飞耗的情况下，请使用这种消声器。

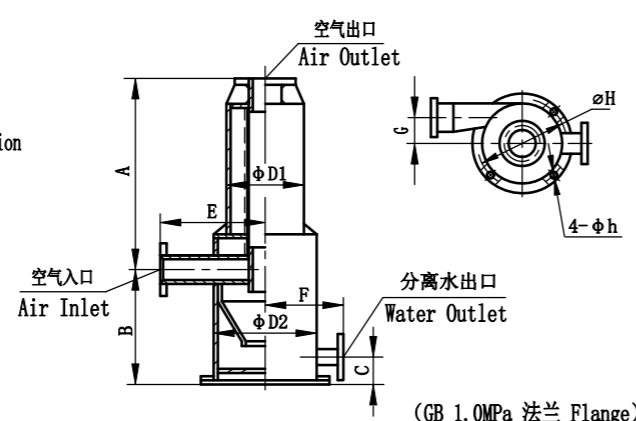
If little pulsation or avoiding the consumption of sound absorption material is necessary, this type is ideal.



(GB 1.0MPa 法兰 Flange)

型号 Type	G	A	B	C	D	重量kg Weight
KMB-50	50 ^A	900	740	80	184	21
KMB-65	65 ^A	1200	1020	90	233	38
KMB-80	80 ^A	1400	1220	90	280	45
KMB-100	100 ^A	1600	1420	90	310	55
KMB-125	125 ^A	1800	1600	100	350	70
KMB-150	150 ^A	1900	1680	110	450	135
KMB-200	200 ^A	2000	1780	110	500	200
KMB-250	250 ^A	2200	1960	120	600	260
KMB-300	300 ^A	2500	2260	120	700	350
KMB-350	350 ^A	3000	2740	130	800	492
KMB-400	400 ^A	3600	3340	130	900	695
KMB-450	450 ^A	4200	3920	140	970	852
KMB-500	500 ^A	4500	4200	150	1100	1122

SKM 型湿式消声器 Type SKM Wet Silencer



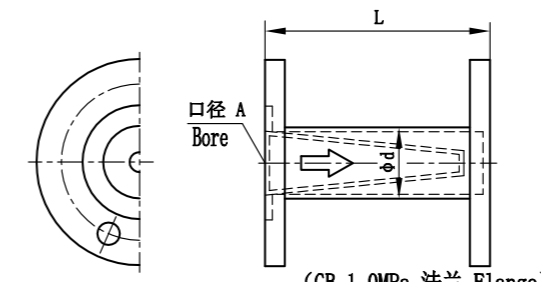
(GB 1.0MPa 法兰 Flange)

型号 Type	空气出入口口径 Air Inlet & Outlet Bore	分离水出口口径 Water Outlet Bore	A	B	C	D1	D2	E	F	G	H	h	重量kg Weight
SKM-50	50	40	600	360	75	180	180	200	200	53	230	15	27
SKM-65	65	40	700	400	75	200	200	220	200	55	250	15	36
SKM-80	80	40	900	450	75	190	280	250	220	89	330	15	58
SKM-100	100	40	1200	500	75	216	330	310	240	101	380	15	72
SKM-125	125	50	1400	640	85	280	400	380	280	126	450	15	103
SKM-150	150	50	1600	750	85	310	490	450	330	148	540	19	155
SKM-200	200	50	1800	825	90	350	550	500	380	160	600	19	200
SKM-250	250	65	2000	1000	95	450	670	600	460	195	720	19	286
SKM-300	300	65	2200	1200	95	600	800	750	550	236	900	19	470
SKM-350	350	80	2500	1350	105	700	900	800	600	265	1000	23	603
SKM-400	400	80	3000	1450	105	800	1030	900	670	305	1130	23	895
SKM-450	450	100	3600	1600	120	900	1150	950	740	340	1250	27	1125
SKM-500	500	100	4200	1800	120	1000	1300	1000	800	387	1400	27	2050

※消声器必须直接装在噪音源上，或装在尽量靠近噪音源的位置上
Note: Silencer should be installed on noise source or the location as close to noise source as possible.

■ 特殊附属品尺寸 SPECIAL ACCESSORIES DIMENSION

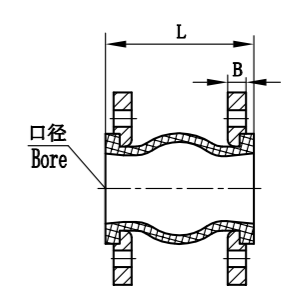
LF 型管道滤清器 Type LF Line Filter



(GB 1.0MPa 法兰 Flange)

型号 Type	A	L	d	重量kg Weight
LF-50	50 ^A	180	57	5
LF-65	65 ^A	200	73	7.2
LF-80	80 ^A	250	89	8.2
LF-100	100 ^A	300	114	10.8
LF-125	125 ^A	350	133	15.9
LF-150	150 ^A	400	159	20.6
LF-200	200 ^A	450	219	31
LF-250	250 ^A	475	273	47.1
LF-300	300 ^A	500	325	56.1
LF-350	350 ^A	650	351	85.6
LF-400	400 ^A	850	402	126
LF-450	450 ^A	1000	442	140
LF-500	500 ^A	1200	500	196

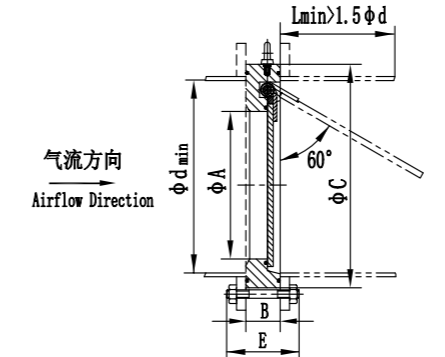
弹性接头 (KXT-III型) Type KXT-III Flexible Connector



(GB 1.0MPa 法兰 Flange)

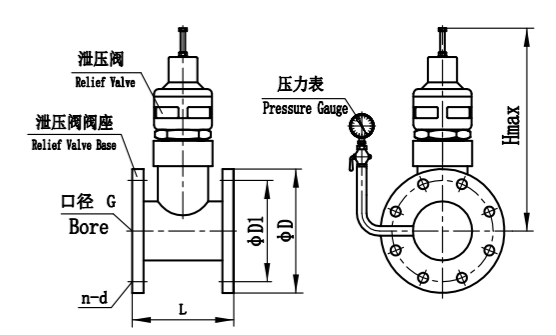
口径 Bore	L	B	水平位移 Horizontal Displacement		倾向位移 Lateral Displacement	偏转角度 Deflexion Angle	重量 kg Weight
			伸长 Protraction	压缩 Compression			
50 ^A	105	18	7	10	10	15°	4.25
65 ^A	115	20	7	13	11	15°	4.8
80 ^A	135	20	8	15	12	15°	5.3
100 ^A	150	22	10	19	13	15°	6.7
125 ^A	165	24	12	19	13	15°	7.3
150 ^A	180	24	12	20	14	15°	11.9
200 ^A	190	24	16	25	22	15°	13.5
250 ^A	230	28	16	25	22	15°	20.8
300 ^A	245	28	16	25	22	15°	24.6
350 ^A	255	28	16	25	22	15°	30.5
400 ^A	255	30	16	25	22	15°	32.2
450 ^A	255	30	16	25	22	15°	37.3
500 ^A	255	32	16	25	22	15°	55

DCV 型单向阀 Type DCV Non-Return Valve



型号 Type	口径 Bore	d _{min}	A	B	C	E	重量(kg) Weight
DCV-50	50 ^A	50	37	18	105	100	0.95
DCV-65	65 ^A	65	45	18	125	100	1.4
DCV-80	80 ^A	80	52	18	140	100	1.65
DCV-100	100 ^A	100	65	18	160	110	2.2
DCV-125	125 ^A	125	90	18	190	110	3.0
DCV-150	150 ^A	150	115	18	215	120	3.6
DCV-200	200 ^A	200	160	23	270	130	6.75
DCV-250	250 ^A	250	180	38	325	150	18.4
DCV-300	300 ^A	300	213	38	375	150	24.0
DCV-350	350 ^A	350	255	80	420	200	49.6
DCV-400	400 ^A	405	300	80	470	215	64.2
DCV-450	450 ^A	450	345	80	520	215	78.4
DCV-500	500 ^A	500	387	80	570	215	88.7

SV型泄压阀装置 Type SV Relief Valve Assembly

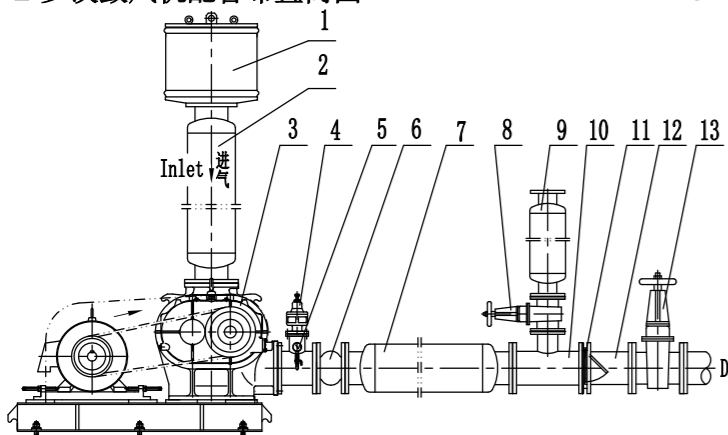


(GB 1.0MPa 法兰 Flange)

型号 Type	G	L	Hmax	D	D1	n-d	重量(kg) Weight
SV-50	50 ^A	140	220	160	125	4-φ18	4.65
SV-65	65 ^A	150	230	180	145	4-φ18	6.1
SV-80	80 ^A	180	280	190	160	8-φ18	9.5
SV-100	100 ^A	180	360	210	180	8-φ18	13.5
SV-125	125 ^A	200	375	234	210	8-φ18	16.0
SV-150	150 ^A	220	420	270	240	8-φ22	22.0
SV-200	200 ^A	250	440	328	295	8-φ22	26.0
SV-250	250 ^A	300	740	382	350	12-φ22	60.0
SV-300	300 ^A	300	760	440	400	12-φ22	65.0

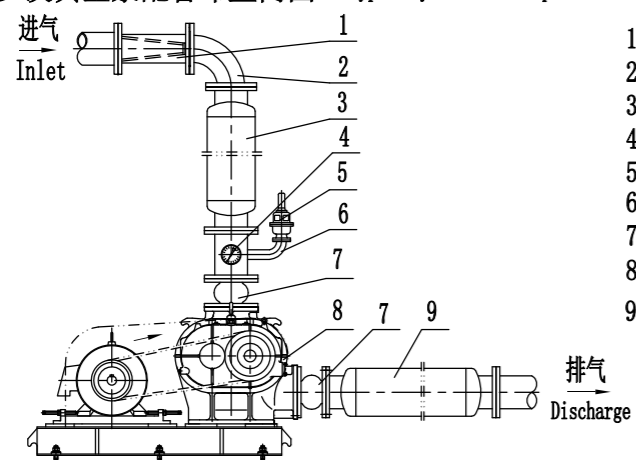
■ 罗茨鼓风机、罗茨真空泵配管布置简图
Rotary Blower & Vacuum Pump Installation Sample

■ 罗茨鼓风机配管布置简图 Rotary Blower Installation Sample



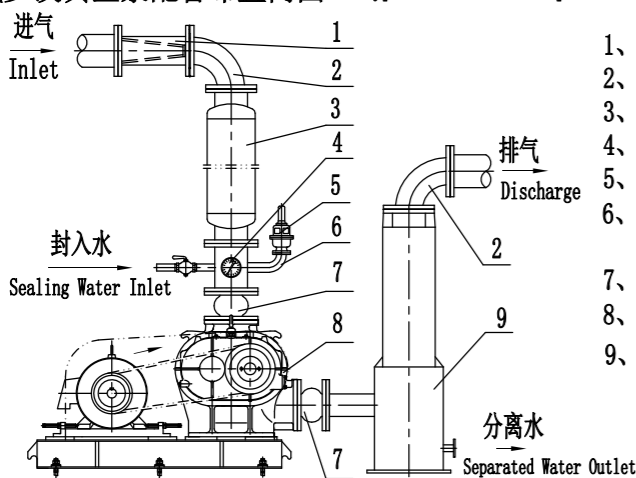
- 1、空气滤清器 Air Filter
- 2、进口消声器 Inlet Silencer
- 3、罗茨鼓风机 Rotary Blower
- 4、泄压阀装置 Relief Valve Assembly
- 5、耐震压力表 Vibrationproof Pressure Gauge
- 6、弹性接头 Flexible Connector
- 7、出口消声器 Outlet Silencer
- 8、放空闸阀 Emptying Gate Valve
- 9、放空消声器 Emptying Silencer
- 10、放空接头 Emptying Joint
- 11、单向阀 Non-return Valve
- 12、接管 Connection Pipe
- 13、闸阀 Gate Valve

■ 干式罗茨真空泵配管布置简图 Type Dry Vacuum Pump Installation Sample



- 1、管道滤清器 Line Filter
- 2、弯管 Bend Pipe
- 3、进口消声器 Inlet Silencer
- 4、耐震真空表 Vibrationproof Vacuum Gauge
- 5、真空阀 Vacuum Valve
- 6、真空阀座 Vacuum Valve Base
- 7、弹性接头 Flexible Connector
- 8、(干式)罗茨真空泵 Type Dry Vacuum Pump
- 9、出口消声器 Outlet Silencer

■ 湿式罗茨真空泵配管布置简图 Type Wet Vacuum Pump Installation Sample



- 1、管道滤清器 Line Filter
- 2、弯管 Bend Pipe
- 3、进口消声器 Inlet Silencer
- 4、耐震真空表 Vibrationproof Vacuum Gauge
- 5、真空阀 Vacuum Valve
- 6、真空阀座 (带封入水接管) Vacuum Valve Base (with Connection Pipe For Sealing Water)
- 7、弹性接头 Flexible Connector
- 8、(湿式)罗茨真空泵 Type Wet Vacuum Pump
- 9、湿式消声器 Type Wet Silencer

上面所示配管是罗茨鼓风机、罗茨真空泵的典型举例,请按照布置空间及配管计划进行恰当的配管。为了有效减小振动,可以使用防振橡胶件和弹性接头。在配管上要进行适当的支撑,不要将配管的重量施加到罗茨鼓风机或罗茨真空泵机体上。

Above illustrated typical examples are only for reference, please install accessories correctly according to installation space. Vibrationproof rubber parts and flexible connectors can be used to reduce the vibration efficiently. Supports are adopted correctly on the pipe to avoid exerting weight of pipe on the rotary blower or vacuum pump.

有关技术资料
Relative Technical Data

机 型 Type	主机重量 Blower Weight (kg)	主机轴GD ² Main Shaft GD ² (kg·m ²)	起动力矩 Start Torque (kg·m)	冷却水要求 Cooling Water Request	冷却水量 Cooling Water Flowratio (L/min)	润滑油量 Lubncation Oil Capacity (L)	
						驱动侧轴承箱 Secondary Oil Tank	主油箱 Main Oil Tank
RRB-50	80	0.07	0.5	冷却水进口压力 196~294 kPa (2~3kg/cm ²), 冷却水进口温度: ≤25℃ Cooling water pressure : 196~294 kPa (2~3 kg/cm ²), Cooling water temperature : ≤25℃	5~8	0.3	1.3
RRB-65	90	0.096	0.75		5~8	0.5	1.8
RRC-80	160	0.3	1.3		8~10	1.1 (空冷) (Air Cooling)	2.7 (空冷) (Air Cooling)
RRC-100	190	0.41	1.8			0.6 (水冷) (Water Cooling)	2.4 (水冷) (Water Cooling)
RRD-100	295	1.5	2		10~13	2.8 (空冷) (Air Cooling)	7.0 (空冷) (Air Cooling)
RRD-125	360	1.96	2.5			1.2 (水冷) (Water Cooling)	6.0 (水冷) (Water Cooling)
RRD-127	410	2.3	3		15~18	10 (空冷) (Air Cooling)	40 (空冷) (Air Cooling)
RRD-130	410	2.75	3.5			7.0 (水冷) (Water Cooling)	26 (水冷) (Water Cooling)
RRD-150	530	4.0	4		20~25	10	70
RRE-140	890	8.65	4			20~25	34 (空冷) (Air Cooling)
RRE-145	890	10.05	5		26 (水冷) (Water Cooling)		
RRE-150	950	12.27	6		RRG-300	290	43
RRE-190	1150	14.75	7.5			380	62
RRE-200	1150	17.55	9		RRG-350	410	68
RRE-250	1350	21.65	12			290	43
RRF-240	2000	85	14		RRG-400	430	70
RRF-245	2000	100	17			527	86
RRF-250	2280	120	21		RRG-450	527	86
RRF-290	2660	137	26			6810	86
RRF-295	2660	144	27		RRG-500	6810	105
RRF-300	3000	172	33	9100		105	
RRF-350	3450	200	39				
RMG-300	3300	185	36				
RMG-350	3580	290	43				
RMG-395	3600	380	62				
RMG-400	3940	410	68				