

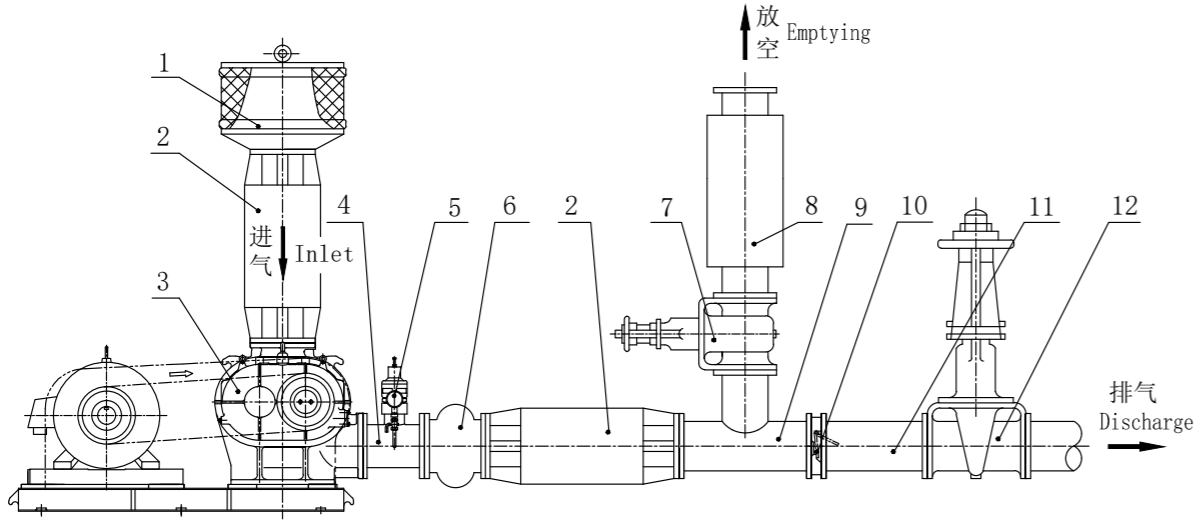
■ 有关技术资料

Relative Technical Data

机 型 Type	主机重量 Blower Weight (kg)	主机轴 GD ² Main Shaft (kg·m ²)	起动力矩 Start Torque (kg·m)	冷却水要求 Cooling Water request	冷却水量 Cooling Water Flowratio (L/min)	润滑油量 Lubrication Oil Capacity (L)			
						驱动侧油箱 Secondary Oil Tank	齿轮箱 Main Oil Tank		
3HD-100	295	1.5	2	冷却水压力: 196~294kPa (2~3kg/cm ²) 冷却水温度≤25℃ Cooling water pressure: 196~294kPa (2~3kg/cm ²) Cooling water temperature: ≤25℃	8~10	1.1 (空冷) (Air Cooling)	2.7 (空冷) (Air Cooling)		
3HD-125	360	1.96	2.5			0.6 (水冷) (Water Cooling)	2.4 (水冷) (Water Cooling)		
3HD-127	410	2.3	3			10~13	2.8 (空冷) (Air Cooling)	7.0 (空冷) (Air Cooling)	
3HD-130	410	2.75	3.5				1.2 (水冷) (Water Cooling)	6.0 (水冷) (Water Cooling)	
3HD-150	530	4.0	4				15~18	10 (空冷) (Air Cooling)	40 (空冷) (Air Cooling)
3HE-140	890	8.65	4					7.0 (水冷) (Water Cooling)	26 (水冷) (Water Cooling)
3HE-145	890	10.05	5		3HF-240			10 (空冷) (Air Cooling)	40 (空冷) (Air Cooling)
3HE-150	950	12.27	6					7.0 (水冷) (Water Cooling)	26 (水冷) (Water Cooling)
3HE-190	1150	14.75	7.5			3HF-245		10 (空冷) (Air Cooling)	40 (空冷) (Air Cooling)
3HE-200	1150	17.55	9					7.0 (水冷) (Water Cooling)	26 (水冷) (Water Cooling)
3HE-250	1350	21.65	12				3HF-250	10 (空冷) (Air Cooling)	40 (空冷) (Air Cooling)
3HF-240	2000	85	14					7.0 (水冷) (Water Cooling)	26 (水冷) (Water Cooling)
3HF-245	2000	100	17		3HF-290			10 (空冷) (Air Cooling)	40 (空冷) (Air Cooling)
3HF-250	2280	120	21					7.0 (水冷) (Water Cooling)	26 (水冷) (Water Cooling)
3HF-290	2660	137	26			3HF-300		10 (空冷) (Air Cooling)	40 (空冷) (Air Cooling)
3HF-295	2660	144	27					7.0 (水冷) (Water Cooling)	26 (水冷) (Water Cooling)
3HF-300	3000	172	33				3HF-350	10 (空冷) (Air Cooling)	40 (空冷) (Air Cooling)
3HF-350	3450	200	39					7.0 (水冷) (Water Cooling)	26 (水冷) (Water Cooling)

■ 罗茨鼓风机配管布置简图

Rotary Blower Installation Sample



1. 滤清器 2. 消声器 3. 鼓风机 4. 泄压阀装置 5. 压力表 6. 弹性接头
7. 放空闸阀 8. 放空消声器 9. 放空接头 10. 单向阀 11. 连接管 12. 闸阀

1. Air Filter 2. Silencer 3. Rotary Blower 4. Relief Valve Assembly
5. Pressure Gauge 6. Flexible Joint 7. Emptying Gate Valve 8. Emptying Silencer
9. Emptying Joint 10. Non-return Valve 11. Connecting Pipe 12. Gate Valve

返回目录

ZR 系列罗茨风机 / 真空泵

ZR series Roots type blower/vacuum pump

ZR 系列罗茨鼓风机性能表

Performance Data of Series ZR Rotary Blower

型号 type	口径 mm	转速 r/min	理论流量 Theoretical Capacity m ³ /min	各排气压力下的吸入风量 Qs(m ³ /min)、轴功率 La(kW)及配套电机功率 Po (kW) Inlet Flow Qs(m ³ /min), Shaft Power La(kW) And Motor Power Po (kW)												电机 极数 Motor Pole																		
				9.8kPa (0.1kg/cm ²) QS	La	Po	19.6kPa (0.2kg/cm ²) QS	La	Po	29.4kPa (0.3kg/cm ²) QS	La	Po	39.2kPa (0.4kg/cm ²) QS	La	Po		49kPa (0.5kg/cm ²) QS	La	Po	58.8kPa (0.6kg/cm ²) QS	La	Po	68.6kPa (0.7kg/cm ²) QS	La	Po	78.4kPa (0.8kg/cm ²) QS	La	Po	88.2kPa (0.9kg/cm ²) QS	La	Po	98.0kPa (1.0kg/cm ²) QS	La	Po
ZR7-500A	500A	490	405.7	378.1	85	110	366.6	152.4	185	357.8	218.6	250	350.4	285.2	315	343.8	352.6	400	337.8	423.2	500	332.4	488.5	560	327.3	552.5	630	322.5	621.5	710	317.9	688	800	12
		590	488.5	460.9	102.4	132	449.4	183.5	220	440.6	263.2	315	433.2	343.4	400	426.6	424.6	500	420.7	509.5	560	415.2	588.2	630	410.1	665.2	710	405.3	748.4	800	400.7	828.4	900	10
ZR7-580B	600A	490	463.69	435.6	97.1	132	424	174.2	200	415.1	249.8	280	407.5	325.9	355	400.8	403	450	394.8	483.6	560	389.2	558.3	630	384.1	631.4	710	379.2	710.3	800	473.8	855.3	900	12
		590	558.32	530.4	117	160	518.6	209.7	250	509.7	300.8	355	502.1	392.4	450	495.5	485.3	560	489.4	582.3	630	483.9	672.2	710	478.7	760.2	800	473.8	855.3	900	10			
ZR7-600A	600A	490	513.37	479.5	107.5	132	465.5	192.8	220	454.7	276.5	315	445.6	360.8	400	437.6	446.2	500	430.3	535.4	630	423.6	618.1	710	417.4	699	800	411.5	786.4	900	12			
		590	618.14	584.3	129.5	185	570.3	232.2	280	559.5	333	400	550.4	434.4	500	542.3	537.3	630	535.1	644.7	710	528.4	744.2	800	522.2	841.7	900	516.3	946.9	1000	10			
ZR7-700A	700A	490	583.75	546.9	122.3	185	531.5	219.3	250	519.9	314.5	355	510	410.3	450	501.2	507.4	560	493.3	608.8	710	485.4	702.8	800	477.5	794.9	900	12						
		590	702.88	666	147.2	185	650.7	264	315	639	378.6	450	629.1	494	560	620.3	610.9	710	612.4	733.1	800	604.5	846.3	900	596.6	957.1	1120	10						
ZR7-750A	700A	490	645.8	608.9	135.3	185	593.6	242.6	280	581.9	348	400	572	453.9	500	563.2	561.4	630	555.3	673.6	800	10	12											
		590	777.6	740.7	162.9	185	725.4	292.1	355	713.7	418.9	500	703.8	546.6	630	695	675.9	800	687.1	811.1	900	10												

注：所有转速全部采用联轴器直联传动

