



# DY-36W-12-X / DY-36W-24-X

LED Switch Power Supply Specification



## Features

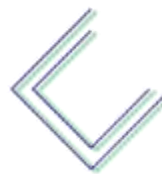


- Design for indoor installation
- Protections: Short circuit/Overload/Over voltage
- Forced air cooling by built-in DC ball bearing fan
- 100% full load burn-in test
- Suitable for LED lighting
- Products passed CE, RoHS certification
- 3 years warranty

**CE RoHS**

## SPECIFICATION

Model		DY-36W-12-X	DY-36W-24-X
<b>OUTPUT</b>	<b>DC voltage</b>	12V±5%	24V±5%
	<b>Rated current</b>	3A	1.5A
	<b>Current range</b>	0-3A	0-1.5A
	<b>DC output power</b>	36W	36W
	<b>Ripple &amp; Noise (max)</b> note.2	<180mV	<180mV
	<b>Load stability</b>	1%	1%
	<b>Voltage tolerance</b> note.3	±0.5%	±0.5%
	<b>Setup, Rise time</b> note.4	200ms,50ms	200ms,50ms
	<b>Hold up time(Typ.)</b>	20ms	20ms
<b>INPUT</b>	<b>Voltage range</b>	100-265V AC	
	<b>Frequency range</b>	50-60Hz	
	<b>AC current(Typ.)</b>	0.3A 230V	
	<b>Inrush current</b>	Cold start ≤20A	
	<b>Incoming line stability</b>	±0.5%	
	<b>Power factor(Typ.)</b>	PF≥0.65	
	<b>Efficiency (Typ.)</b>	>86%	>88%
	<b>Leakage current</b>	≤5mA/260VAC	

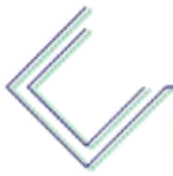


# DY-36W-12-X / DY-36W-24-X

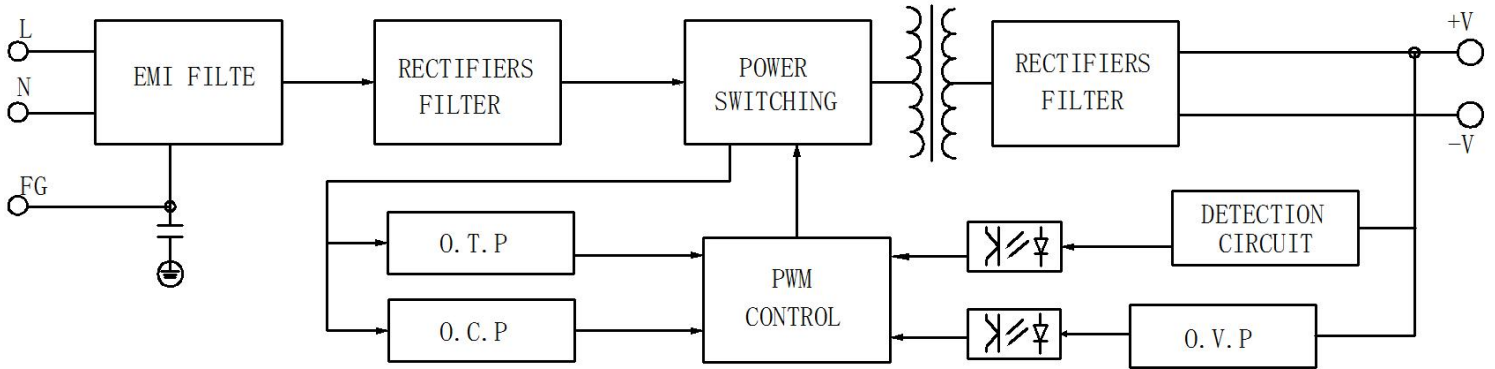
LED Switch Power Supply Specification



<b>PROTECTION</b>	<b>Short circuit</b>	The power supply can resume normal operation when the short circuit is removed during power supply.
	<b>Overload</b>	105%-200% rated output power
		Protection type:Hiccup mode,recovers automatically after fault condition is removed
	<b>Over current</b>	After the over current fault is removed, the power supply will automatically resume normal operation.
<b>Over voltage</b>	When the output voltage exceeds the rated voltage, the power supply will be protected and normal operation can be resumed after the fault is removed.	
<b>ENVIRONMEN</b>	<b>Working temp.</b>	-10°C~+50°C( Refer to "derating curve" )
	<b>Working humidity</b>	-40 ~ +70°C 20% ~ 90%RH
	<b>Storage temp., humidity</b>	-40°C ~ 85°C 10% ~ 95%RH
	<b>Temp. coefficient</b>	±0.03%/°C(0-5°C)
	<b>Vibration</b>	10-500Hz, 2G 10min. / 1 cycle, 60 min. each axes
<b>SAFETY&amp;EMC</b>	<b>Aging test</b>	Input voltage : 220V 50HZ Rated output current 25°C, Burn-in 2h
	<b>Withstand voltage</b>	Input and output: AC2.5KV 5mA 60S, input and shell; AC2KV 5mA 60S
	<b>Isolating resistance</b>	Between input and output, input and shell: 500VDC / 100MΩ
	<b>EMC emission</b>	Compliance to EN55032(CISPR32)Class B.EN61000-3-2,-3,EAC TP TC 020
	<b>EMC immunity</b>	Compliance to EN61000-4-2.3.4.5.6.8.11.EN55024,light industry level,criteria A,EAC TP TC 020
	<b>Safety standards</b>	UL62368-1,TUV EN62368-1.EAC TP TC004 approved
<b>NOTE</b>	All parameters NOT specially mentioned are measured at 230VAC input,rated load and 25°C of ambient temperature.	
	Ripple & noise are measured at 20MHz of bandwidth by using a 12" twisted pair-wire terminated with a 0.1uf &47uf parallel capacitor.	
	Tolerance: includes set up tolerance. Line regulation and load regulation.	
	Length of set up time is measured at first cold start .Turning ON/OFF the power supply may lead to increase of the set up time.	

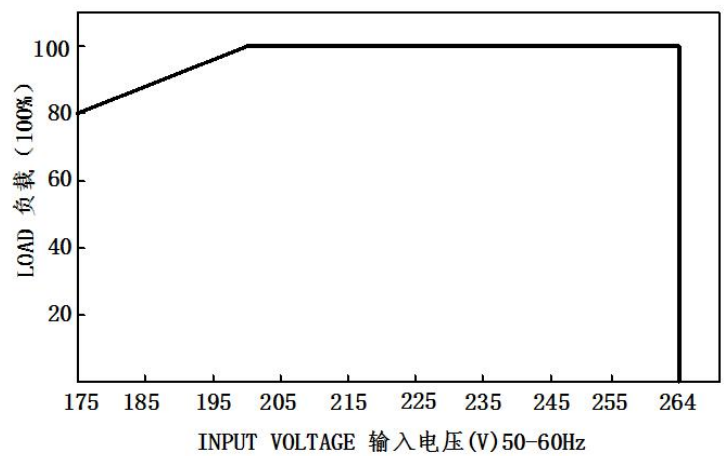
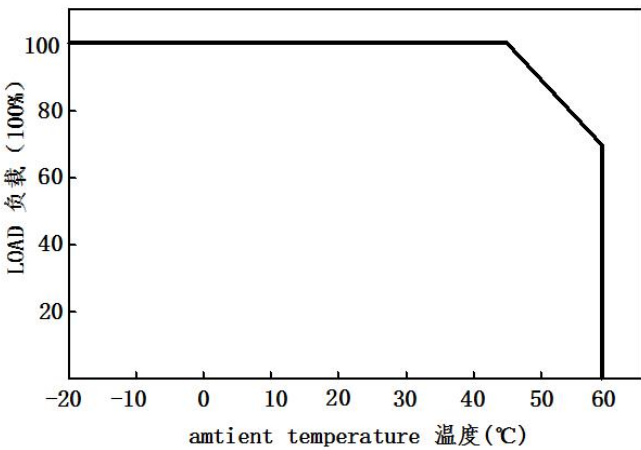


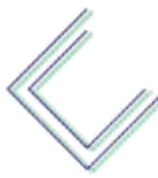
### Block Diagram



### Output Derating

### Output Derating VS Input Voltage





# DY-36W-12-X / DY-36W-24-X

LED Switch Power Supply Specification



## Mechanical Specification



## Others

Dimension	117x35x22(mm)
Carton quantity	186pcs/Carton
Carton size	460x340x185(mm)
Net Weight	0.12kg/pcs
Total Weight	22kg