

DY-100W-12-B / DY-100W-24-B

LED Switch Power Supply Sepecification



Features



- Design for indoor installation
- Protections: Short circuit/Overload/Over voltage
- Forced air cooling by built-in DC ball bearing fan
- 100% full load burn-in test
- Suitable for LED lighting
- Products passed CE, RoHS certification
- 3 years warranty

CE RoHS

SPECIFICATION

Model		DY-100W-12-B	DY-100W-24-B
OUTPUT	DC voltage	12V±5%	24V±5%
	Rated current	8.3A	4.2A
	Current range	0-8.3A	0-4.2A
	DC output power	100W	100W
	Ripple & Noise (max) note.2	<180mV	<180mV
	Load stability	1%	1%
	Voltage tolerance note.3	±0.5%	±0.5%
	Setup, Rise time note.4	200ms,50ms	200ms,50ms
	Hold up time(Typ.)	20ms	20ms
INPUT	Voltage range	170-265VAC	
	Frequency range	50-60Hz	
	AC current(Typ.)	1.2A 230V	
	Inrush current	Cold start ≤30A	
	Incoming line stability	±0.5%	
	Power factor(Typ.)	PF≥0.65	
	Efficiency (Typ.)	>87%	>91%
	Leakage current	5A/230VAC	



DY-100W-12-B / DY-100W-24-B

LED Switch Power Supply Sepecification



PROTECTION	Short circuit	The power supply can resume normal operation when the short circuit is removed during power supply.
	Overload	105%-200% rated output power
		Protection type:Hiccup mode,recovers automatically after fault condition is removed
	Over current	After the over current fault is removed, the power supply will automatically resume normal operation.
Over voltage	When the output voltage exceeds the rated voltage, the power supply will be protected and normal operation can be resumed after the fault is removed.	
ENVIRONMEN	Working temp.	-10°C~+50°C(Refer to "derating curve")
	Working humidity	-40 ~ +70°C 20% ~ 90%RH
	Storage temp., humidity	-40°C ~ 85°C 10% ~ 95%RH
	Temp. coefficient	±0.03%/°C(0-5°C)
	Vibration	10-500Hz, 2G 10min. / 1 cycle, 60 min. each axes
SAFETY&EMC	Aging test	Input voltage : 220V 50HZ Rated output current 25°C, Burn-in 2h
	Withstand voltage	Input and output: AC2.5KV 5mA 60S input and shell; AC2KV 5mA 60S
	Isolating resistance	Between input and output, input and shell: 500VDC / 100MΩ
	EMC emission	Compliance to EN55032(CISPR32)Class B.EN61000-3-2,-3,EAC TP TC 020
	EMC immunity	Compliance to EN61000-4-2.3.4.5.6.8.11.EN55024,light industry level,criteria A,EAC TP TC 020
	Safety standards	UL62368-1,TUV EN62368-1.EAC TP TC004 approved
NOTE	All parameters NOT specially mentioned are measured at 230VAC input,rated load and 25°C of ambient temperature.	
	Ripple & noise are measured at 20MHz of bandwidth by using a 12" twisted pair-wire terminated with a 0.1uf &47uf parallel capacitor.	
	Tolerance: includes set up tolerance. Line regulation and load regulation.	
	Length of set up time is measured at first cold start .Turning ON/OFF the power supply may lead to increase of the set up time.	

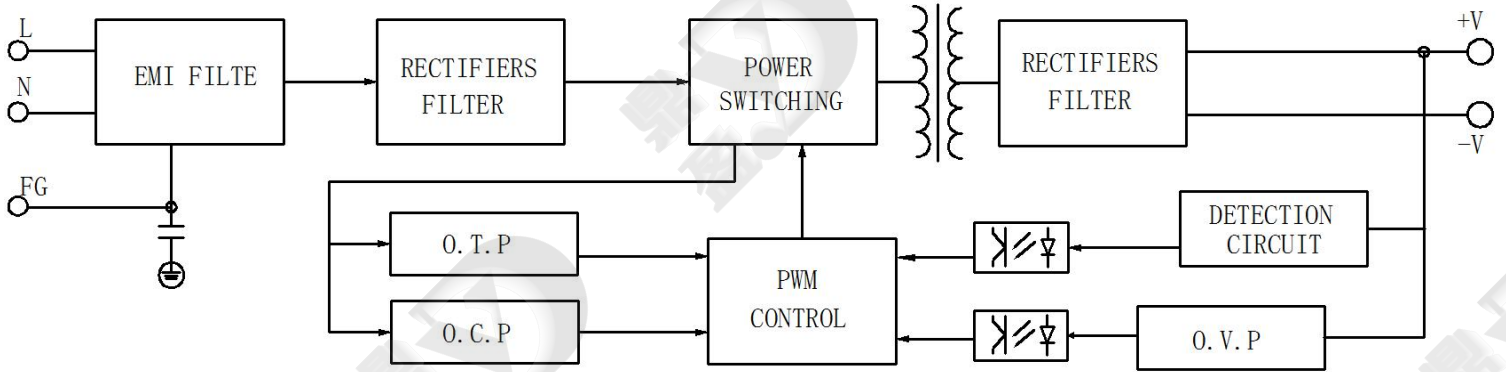


DY-100W-12-B / DY-100W-24-B

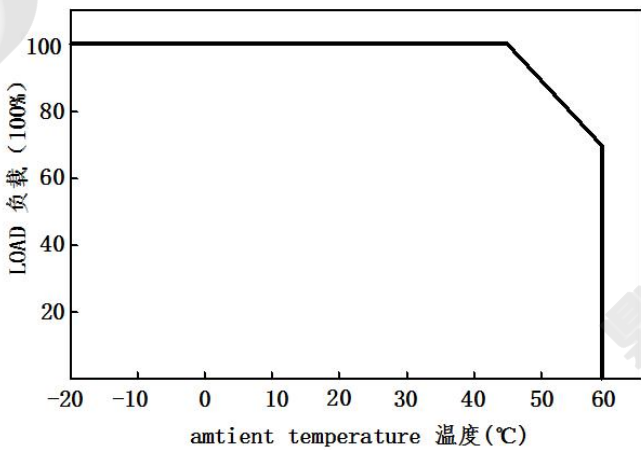
LED Switch Power Supply Sepecification



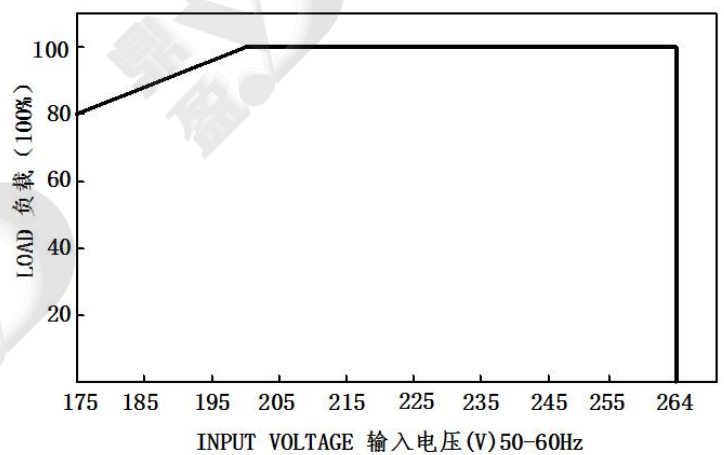
Block Diagram



Output Derating



Output Derating VS Input Voltage



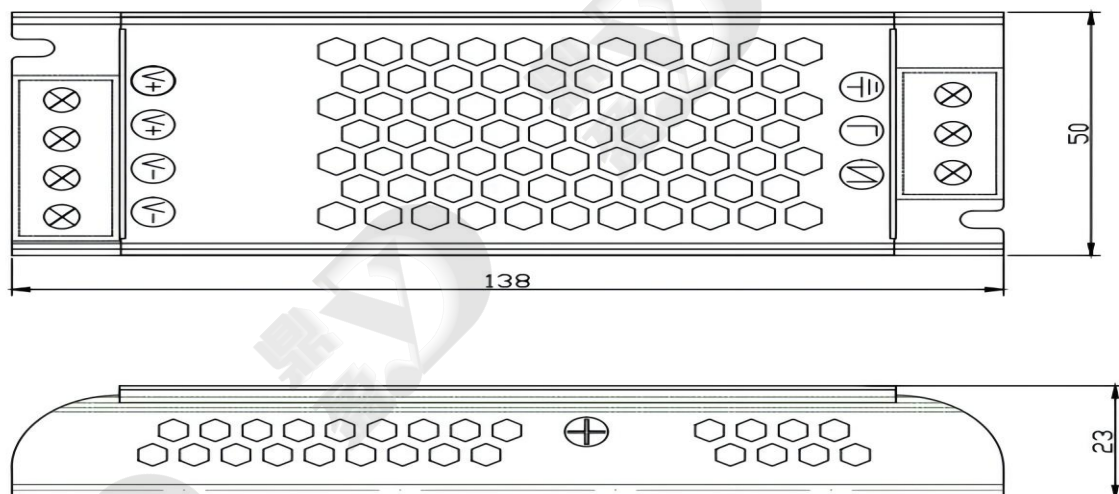


DY-100W-12-B / DY-100W-24-B

LED Switch Power Supply Sepecification



Mechanical Specification



138*50*23

Others

Dimension	138x50x23(mm)
Carton quantity	108pcs/Carton
Carton size	470x340x185(mm)
Net Weight	0.2kg/pcs
Total Weight	22kg