



DY-100W-12-N / DY-100W-24-

LED Switch Power Supply Sepecification



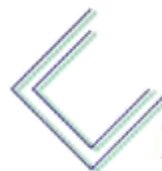
Features

- Design for indoor installation
- Protections: Short circuit/Overload/Over voltage
- Forced air cooling by built-in DC ball bearing fan
- 100% full load burn-in test
- Suitable for LED lighting
- Products passed CE, RoHS certification
- 3 years warranty

CE RoHS

SPECIFICATION

Model		DY-100W-12-N	DY-100W-24-N
OUTPUT	DC voltage	12V±5%	24V±5%
	Rated current	8.3A	4.16A
	Current range	0-8.3A	0-4.16A
	DC output power	100W	100W
	Ripple & Noise (max) note.2	350mV	350mV
	Load stability	1%	1%
	Voltage tolerance note.3	±0.5%	±0.5%
	Setup, Rise time note.4	220v,40ms	220v,40ms
	Hold up time(Typ.)	20ms	20ms
INPUT	Voltage range	200-240V AC	
	Frequency range	50-60Hz	
	AC current(Typ.)	4.2A 240V	
	Inrush current	Cold start ≤40A	
	Incoming line stability	±0.5%	
	Power factor(Typ.)	PF≥0.6	
	Efficiency (Typ.)	>86%	>86%
	Leakage current	≤3.5mA/240VAC	



DY-100W-12-N / DY-100W-24-

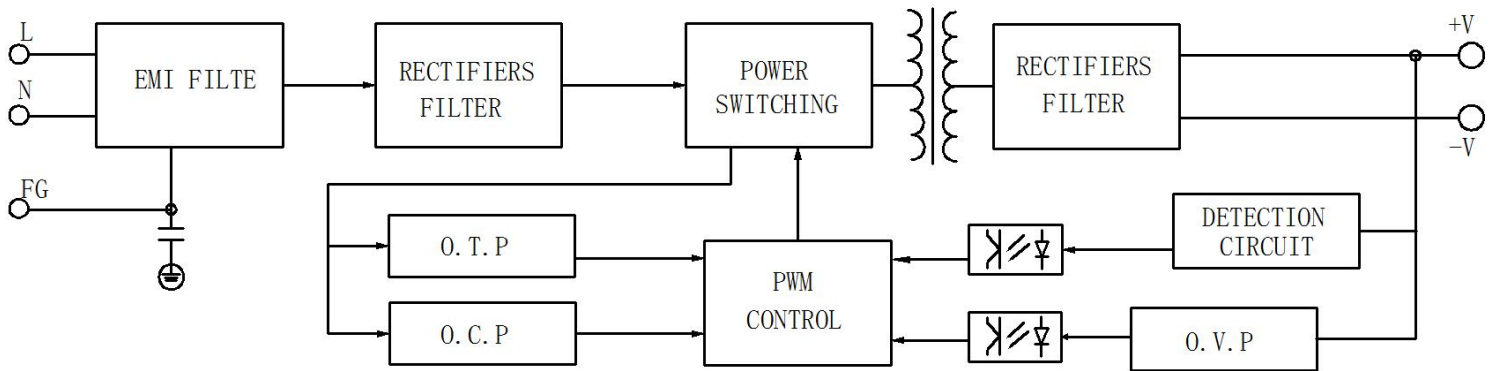
LED Switch Power Supply Sepecification



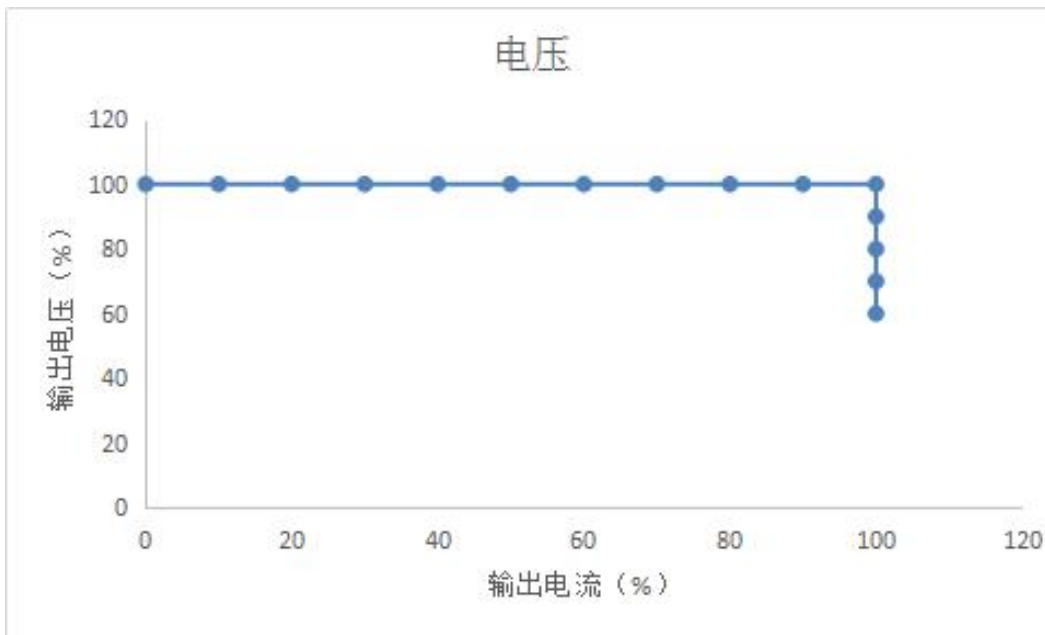
PROTECTION	Short circuit	The power supply can resume normal operation when the short circuit is removed during power supply.
	Overload	105%-200% rated output power
		Protection type:Hiccup mode,recovers automatically after fault condition is removed
	Over current	After the over current fault is removed, the power supply will automatically resume normal operation.
Over voltage	When the output voltage exceeds the rated voltage, the power supply will be protected and normal operation can be resumed after the fault is removed.	
ENVIRONMEN	Working temp.	-25°C to 40°C,Full load, Normal operation
	Working humidity	5%(0°C)~90%(40°C)RH,72Hrs,Full load, Normal operating
	Storage temp., humidity	-30°C to 80°C
	Temp. coefficient	±0.03%/°C(0-5°C)
	Vibration	5~9Hz,A=1.5mm. / 9~200Hz,Acceleration 5m/S ²
SAFETY&EMC	Aging test	Input voltage : 220V 50HZ Rated output current 25°C, Burn-in 2h
	Withstand voltage	Input and output: 3KVAC 5mA 3s input and shell; 1.5KVAC 5mA 3s
	Isolating resistance	Between input and output, input and shell: 500VDC / 10MΩ
	EMC emission	Compliance to EN55032(CISPR32)Class B.EN61000-3-2,-3,EAC TP TC 020
	EMC immunity	Compliance to EN61000-4-2.3.4.5.6.8.11.EN55024,light industry level,criteria A,EAC TP TC 020
	Safety standards	Design by IEC60950 standard
NOTE	All parameters NOT specially mentioned are measured at 240VAC input,rated load and 25°C of ambient temperature.	
	Ripple & noise are measured at 20MHz of bandwidth by using a 12" twisted pair-wire terminated with a 0.1uf &47uf parallel capacitor.	
	Tolerance: includes set up tolerance. Line regulation and load regulation.	
	Length of set up time is measured at first cold start .Turning ON/OFF the power supply may lead to increase of the set up time.	



Block Diagram



Output characteristic curve





DY-100W-12-N / DY-100W-24-

LED Switch Power Supply Specification



Mechanical Specification



Others

Dimension	175x53x22(mm)
Carton quantity	100pcs/Carton
Carton size	550x330x200(mm)
Net Weight	0.13kg/pcs
Total Weight	14.5kg