

## SGSO Series Door Bell

### Technical data

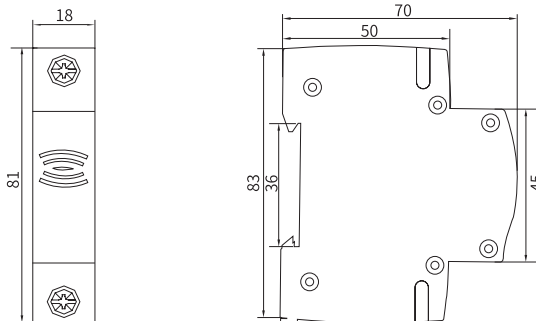
Standard	EN / IEC61558-1
Electric ratings	8V, 12V, 24V, 110V, 230V 50/60Hz
Installation class	II & III
Pollution grade	II
Working condition	Short-time working
Degree of protection	IP20
Mounting	35mm DIN rail



### SGSO Door Bell



Operational voltage(V)	Code No.	Capacity (VA)	Noise level	Packing unit
8V	SGSO-8V	4.8VA	78dB	12
12V	SGSO-12V	4.8VA	78dB	12
24V	SGSO-24V	4.8VA	78dB	12
110V	SGSO-110V	4.4VA	78dB	12
230V	SGSO-230V	4.0VA	78dB	12



SGSO