

EPI-R Series Isolating Switch

Technical data

Standard	EN/IEC60947-3
Number of poles	1P,2P,3P,4P
Rated currents	16,20,25,32,40,50,63,80,100A
Rated voltage	1pole 240VAC 50/60Hz 2,3,4Pole 415VAC 50/60Hz
Utilization category	AC-22A
Rated short-time withstand current I_{cw}	20Ie/1 s
Rated short-circuit making capacity I_{cm}	20Ie
Rated making & breaking capacity	10Ie, 1.05U _e , COSφ=0.35 8Ie, 1.05U _e , COSφ=0.35
Rated insulation voltage U_i	690V
Rated impulse withstand voltage U_{imp}	6KV
Electrical endurance	1500
Mechanical endurance	8500
Type of terminal	Lug type and Pin type
Terminal capacity	Cables up to 35 mm ²
Ambient temperature (°C)	-5~+40, Max.95% humidity
Storage temperature(°C)	-20~+60
Altitude (meters)	Max. 2,000
Protection degree	IP20
Installation	Mounting on 35mm DIN rail
Width	17.8mm per pole



Intertek



EPI-R-1P



EPI-R-2P



EPI-R-3P



EPI-R-4P

EPI-R Isolating Switch



EPI-R-1P



EPI-R-2P



EPI-R-3P



EPI-R-4P

Pole	In	Model	Packing unit
1P	16A	EPI-R-16/1	12
1P	20A	EPI-R-20/1	12
1P	25A	EPI-R-25/1	12
1P	32A	EPI-R-32/1	12
1P	40A	EPI-R-40/1	12
1P	50A	EPI-R-50/1	12
1P	63A	EPI-R-63/1	12
1P	80A	EPI-R-80/1	12
1P	100A	EPI-R-100/1	12

2P	16A	EPI-R-16/2	6
2P	20A	EPI-R-20/2	6
2P	25A	EPI-R-25/2	6
2P	32A	EPI-R-32/2	6
2P	40A	EPI-R-40/2	6
2P	50A	EPI-R-50/2	6
2P	63A	EPI-R-63/2	6
2P	80A	EPI-R-80/2	6
2P	100A	EPI-R-100/2	6

3P	16A	EPI-R-16/3	4
3P	20A	EPI-R-20/3	4
3P	25A	EPI-R-25/3	4
3P	32A	EPI-R-32/3	4
3P	40A	EPI-R-40/3	4
3P	50A	EPI-R-50/3	4
3P	63A	EPI-R-63/3	4
3P	80A	EPI-R-80/3	4
3P	100A	EPI-R-100/3	4

4P	16A	EPI-R-16/4	3
4P	20A	EPI-R-20/4	3
4P	25A	EPI-R-25/4	3
4P	32A	EPI-R-32/4	3
4P	40A	EPI-R-40/4	3
4P	50A	EPI-R-50/4	3
4P	63A	EPI-R-63/4	3
4P	80A	EPI-R-80/4	3
4P	100A	EPI-R-100/4	3

1. Endurance(operations)

Category	Operations	Operation frequency	Rated current
Electric endurance	1500	120/h	16~125A
Mechanical endurance	8500	120/h	16~125A

2. Wiring

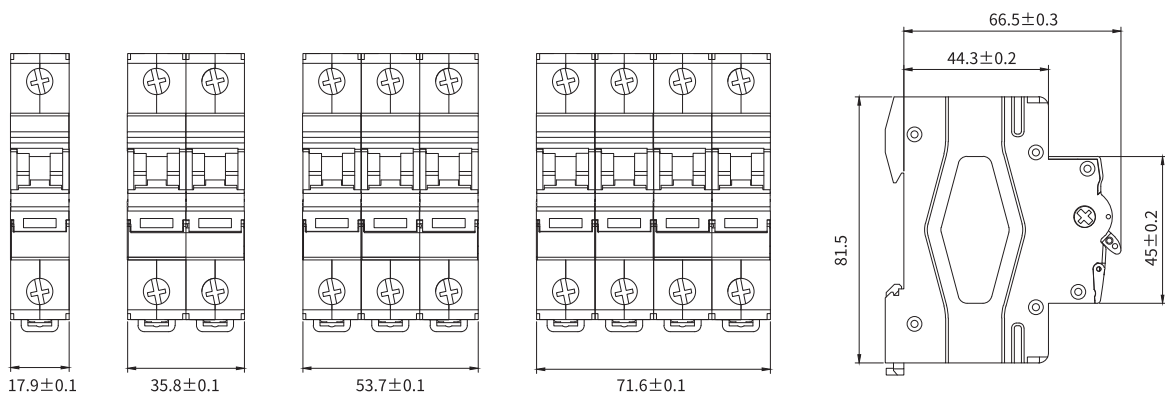
The suitable conductors should be used for connection, see table below for relative parameters.

Rated current In (A)	Cross section area s (mm ²)	Tightening torque (N.m)
16	2.5	3.5
20	2.5	3.5
25	4	3.5
32	6	3.5
40	10	3.5
50	10	3.5
63	16	3.5
80	35	3.5
100	35	3.5

3. Features

1. Current capacity is enhanced and electric drive compensation is fully applied
2. Reliable operation thanks to special designed operating mechanism
3. Safe operation is ensured

4. Overall and mountina dimensions



EPI-R