

SGDB2 Series Distribution Box

Technical data

Standard	IEC60439-3
Approval	CE
Modules (No.)	4,6,8,10,12,14,16,18,22
Rated current In(A)	63,100,125
Color	Grey
Color of door	Grey
Mounting type	Surface
Degree of protection	IP30
Material	Iron
Fire resistance	650°C/30s
Ambient temperature (°C)	-5~+40, max.95% humidity
Storage temperature (°C)	-40~+75°C

Total metal

Metal bottom box: strong rustproof, safe and durable Material: Q195 Cold-rolled steel plate The high strength of the box is not easy to be deformed, and the line is overloaded. with IP30 protection degree Inner folding crimping technology: safe and strong, strong resistance to deformation Anti-rust process: through 72 hours of professional shipping anti-corrosion test

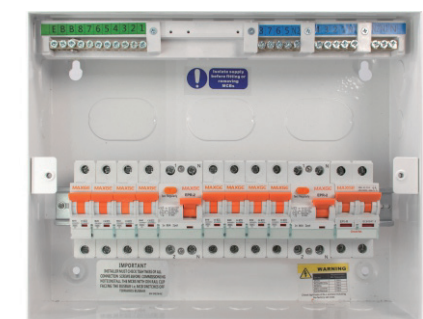
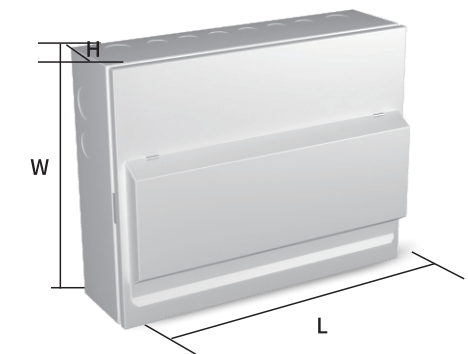
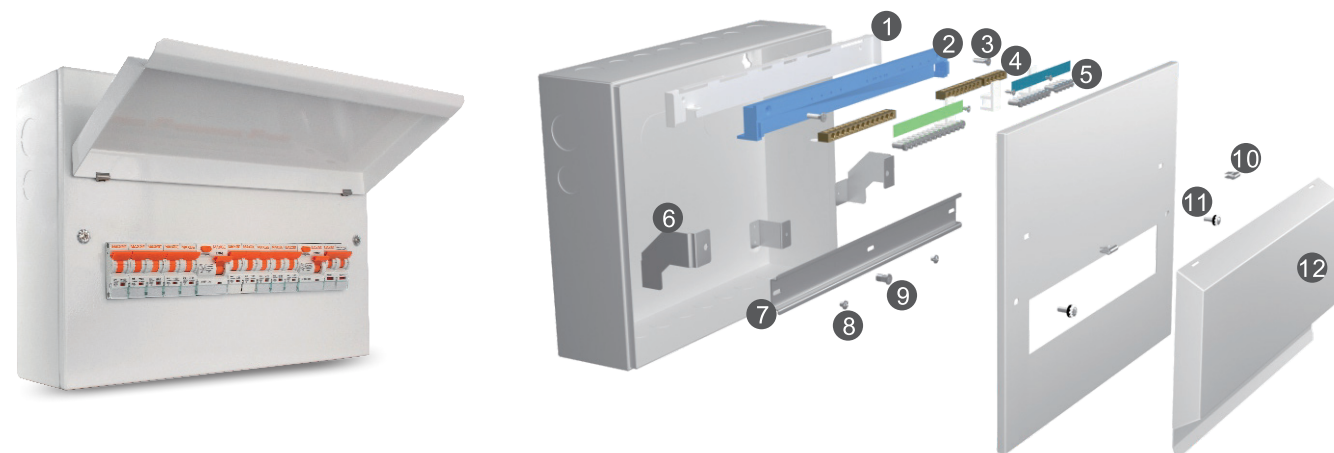


SGDB2

Number of module	Plastic base	Rated Current In(A)	Color of door
4	SGDB2-04A	63/100/125A	Grey
6	SGDB2-06A	63/100/125A	Grey
8	SGDB2-08A	63/100/125A	Grey
10	SGDB2-10A	63/100/125A	Grey
12	SGDB2-212A	63/100/125A	Grey
14	SGDB2-214A-C	63/100/125A	Grey
16	SGDB2-216A-D	63/100/125A	Grey
18	SGDB2-218A-D	63/100/125A	Grey
22	SGDB2-222A-C	63/100/125A	Grey

Metal Base Dimension

Specification	L	W	H
4ways	150	260	116
6ways	186	260	116
8ways	222	260	116
10ways	258	260	116
12ways	294	260	116
14ways	330	260	116
16ways	366	260	116
18ways	402	260	116
22ways	474	260	116



- | | | |
|--------------------------|--|---------------------------------------|
| 1. Plastic Strip Support | 2. Plastic Strip | 3. Flat Semi-Pecessed Hole Screw |
| 4. Brass Terminal Block | 5. Round M-Shape Screw | 6. Din Rail Support on Left and Right |
| 7. Din Rail | 8. M4x4 | 9. Screw |
| 10. Hinge | 11. Metal Front Cover Screw and Spring | 12. PC Window |