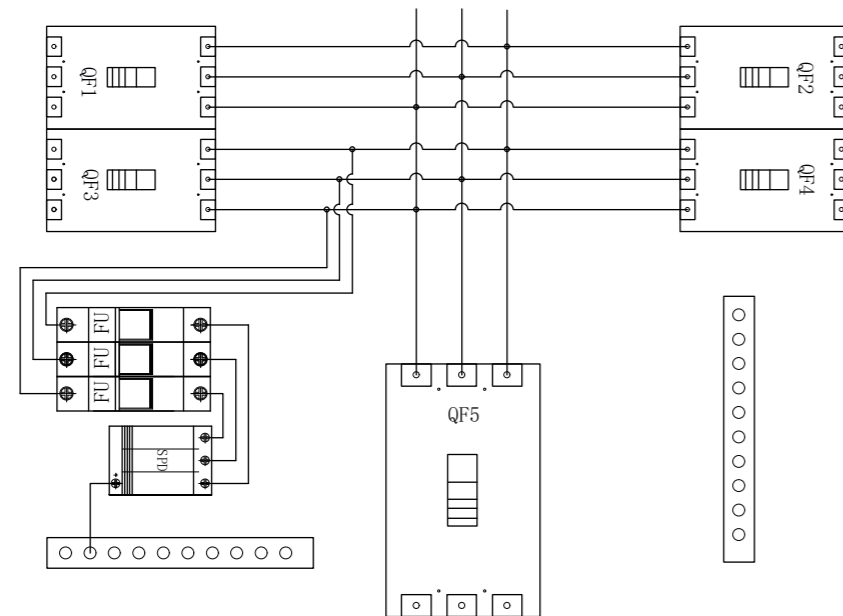


## MG-AC4/1 AC COMBINER BOX

High reliability  
 With AC Surge Protection Device  
 With AC circuit breaker, rated voltage AC690V.  
 Strong adaptability  
 IP65 design, waterproof, anti dust and anti ultraviolet.  
 Strict test for high and low temperature, used widely.  
 The simple installation, the simplified system wiring, the convenient wiring.  
 The box body is made of cold rolled steel and other metal materials.  
 Flexible configuration  
 Used for AC output of 1-50KW inverter. Current rating of the photovoltaic fuse, circuit breaker is modified.



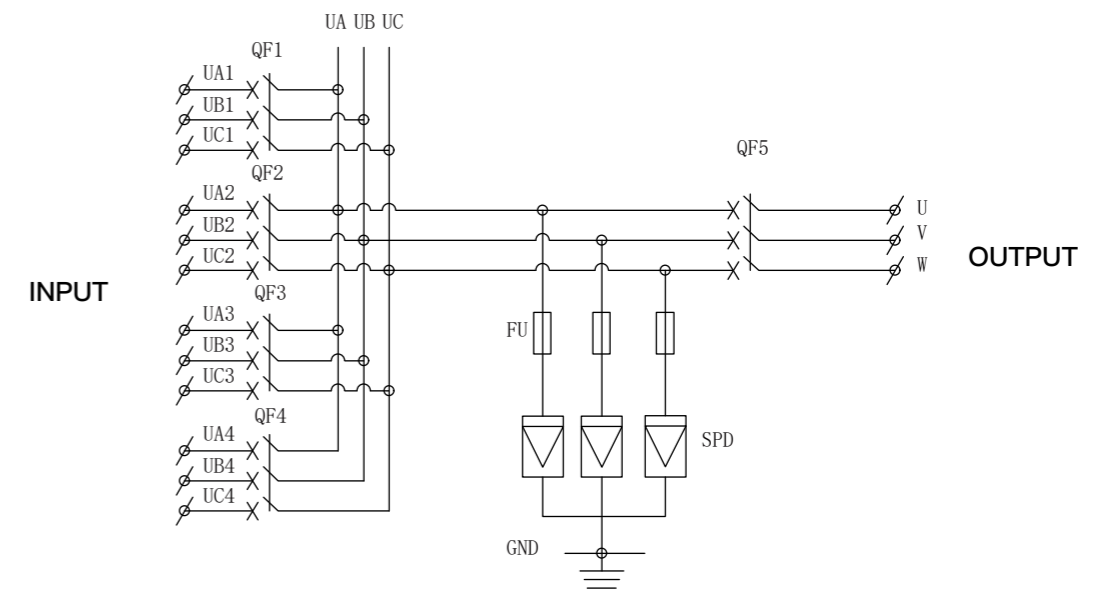
## DESCRIPTION

MG-AC4/1 AC PV combiner box is applicable to the PV group on power system. It is an important part to undertake series inverter and AC power distribution cabinet or a step-up transformer and access up to four sets of photovoltaic group on inverter. Into line with the input of circuit breaker and output line with circuit breaker or the load isolating switch. Busbar with two levels of lightning protection. Highest rated system voltage is AC 690V. IP65 Protection class as same as inverter Installed outdoor with waterproof, dustproof, anti UV, anti salt spray corrosion etc function.  
 The combiner box greatly simplifies the connection between series inverter and AC power distribution cabinet or boost transformer. Simple and clear internal structure make reasonable wiring. High reliability and simple maintenance. Outdoor wall mounted can adapt to the harsh environment. In addition to the material and size, it can be customized according to user requirements.

## TECHNICAL PARAMETERS

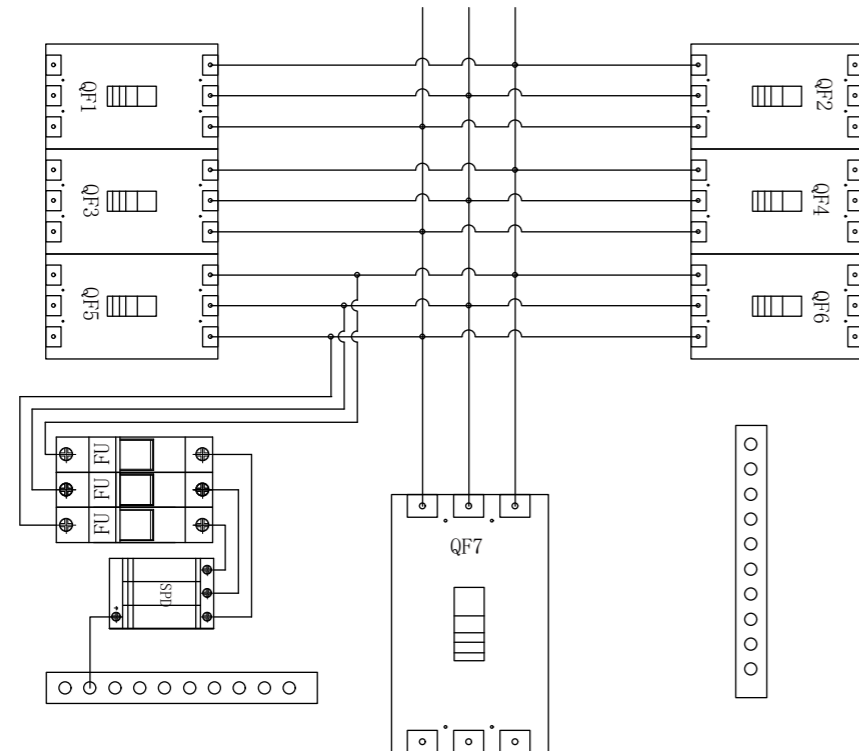
Product model	MG-AC4/1
Number of input strings	4
Maximum input voltage	AC690
Input current for each string	0~100A
Maximum input current	250A
Rated working voltage Un	480VAC
Voltage protection level Up	≤3.2KV
Nominal discharge current(8/20us)	20KA(customizable)
Maximum discharge current I <sub>max</sub> (8/20us)	40KA(customizable)
Response time	<25ns
Temperature and humidity	Working temperature:-40~+85.humidity95%,no condensation, No corrosive gas
Elevation	≤4000m
Input and output switch	Circuit breaker
Surge protector	Standard
Box material	Galvanized steel/stainless steel/cold rolled steel sheet/plastics
Enclosure protection grade	IP65
Cable protection grade	IP65

## SCHEMATIC DIAGRAM



## MG-AC6/1 AC COMBINER BOX

High reliability  
 With AC Surge Protection Device  
 With AC Circuit breaker, rated voltage AC690V  
 Strong adaptability  
 IP65 design, waterproof, anti dust and anti ultraviolet  
 Strict test for high and low temperature, used widely.  
 The simple installation, the simplified system wiring, the convenient wiring.  
 The box body is made of cold rolled steel and other metal materials  
 Flexible configuration  
 Used for AC output of 1-50kw inverter. Current rating of the photovoltaic fuse, circuit breaker is modified.



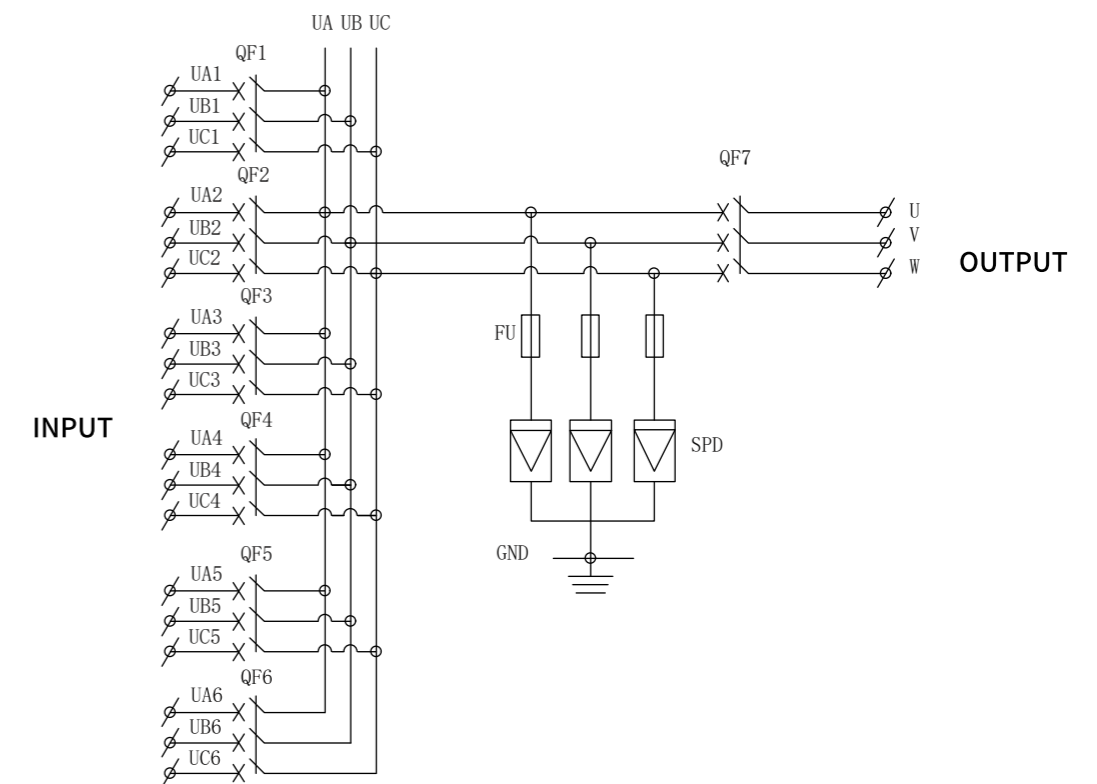
## DESCRIPTION

MG-AC6/1 AC PV combiner box is applicable to the PV group on power system. It is an important part to undertake series inverter and AC power distribution cabinet or a step-up transformer and access up to four sets of photovoltaic group on inverter. Into line with the input of circuit breaker and output line with circuit breaker or the load isolating switch Busbar with two levels of lightning protection. Highest rated system voltage is AC 690V . IP65 Protection class as same as inverter . Installed outdoor with waterproof , dustproof, anti UV , anti salt spray corrosion etc function.  
 The combiner box greatly simplifies the connection between series inverter and AC power distribution cabinet or boost transformer. Simple and clear internal structure make reasonable wiring. High reliability and simple maintenance . Outdoor wall mounted can adapt to the harsh environment . In addition to the material and size , it can be customized according to user requirements.

## TECHNICAL PARAMETERS

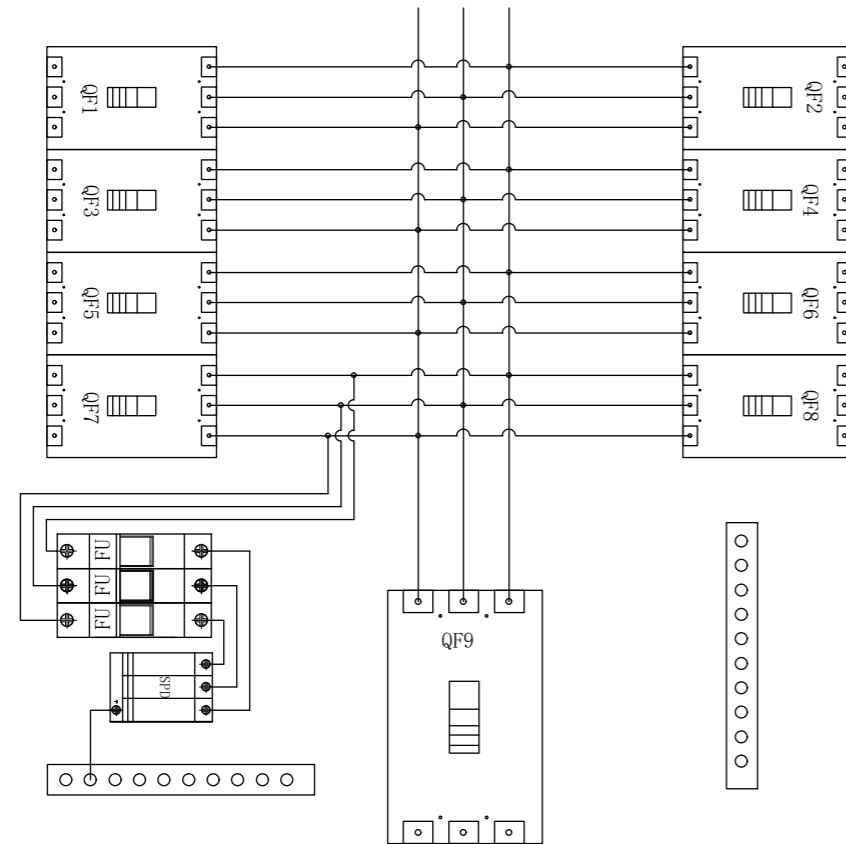
Product model	MG-AC6/1
Number of input strings	6
Maximum input voltage	AC690
Input current for each string	0~100A
Maximum input current	400A
Rated working voltage Un	480VAC
Voltage protection level Up	≤3.2KV
Nominal discharge current(8/20us)	20KA(customizable)
Maximum discharge current I <sub>max</sub> (8/20us)	40KA(customizable)
Response time	<25ns
Temperature and humidity	Working temperature:-40~+85.humidity95%,no condensation, No corrosive gas
Elevation	≤4000m
Input and output switch	Circuit breaker
Surge protector	Standard
Box material	Galvanized steel/stainless steel/cold rolled steel sheet/plastics
Enclosure protection grade	IP65
Cable protection grade	IP65

## SCHEMATIC DIAGRAM



## MG-AC8/1 AC COMBINER BOX

High reliability  
 With AC Surge Protection Device  
 With AC Circuit breaker, rated voltage AC690V  
 Strong adaptability  
 IP65 design, waterproof, anti dust and anti ultraviolet  
 Strict test for high and low temperature, used widely.  
 The simple installation, the simplified system wiring, the convenient wiring.  
 The box body is made of cold rolled steel and other metal materials  
 Flexible configuration  
 Used for AC output of 1-50kw inverter. Current rating of the photovoltaic fuse, circuit breaker is modified.



## DESCRIPTION

MG-AC8/1 AC PV combiner box is applicable to the PV aroud on power system. It is an important part to undertake series inverter and AC power distribution cabinet or a step-up transformer and access up to four sets of photovoltaic group on inverter. Into line with the input of circuit breaker and output line with circuit breaker or the load isolating switch. Busbar with two levels of lightning protection. Highest rated system voltage is AC690V. IP65 Protection class as same as inverter. Installed outdoor with waterproof, dustproof, anti UV, anti salt spray corrosion etc function.  
 The combiner box greatly implies the connection between series inverter and AC power distribution cabinet or boost transformer. Simple and clear iinternal structure make reasonable wining. High reliability and simple maintenance. Outdoor wall mounted can adapt to the harsh environment. In addition to the material and size, it can be customized according to user requirements.

## TECHNICAL PARAMETERS

Product model	MG-AC8/1
Number of input strings	8
Maximum input voltage	AC690
Input current for each string	0~100A
Maximum input current	630A
Rated working voltage Un	480VAC
Voltage protection level Up	≤3.2KV
Nominal discharge current(8/20us)	20KA(customizable)
Maximum discharge current I <sub>max</sub> (8/20us)	40KA(customizable)
Response time	<25ns
Temperature and humidity	Working temperature:-40~+85.humidity95%,no condensation, No corrosive gas
Elevation	≤4000m
Input and output switch	Circuit breaker
Surge protector	Standard
Box material	Galvanized steel/stainless steel/cold rolled steel sheet/plastics
Enclosure protection grade	IP65
Cable protection grade	IP65

## SCHEMATIC DIAGRAM

