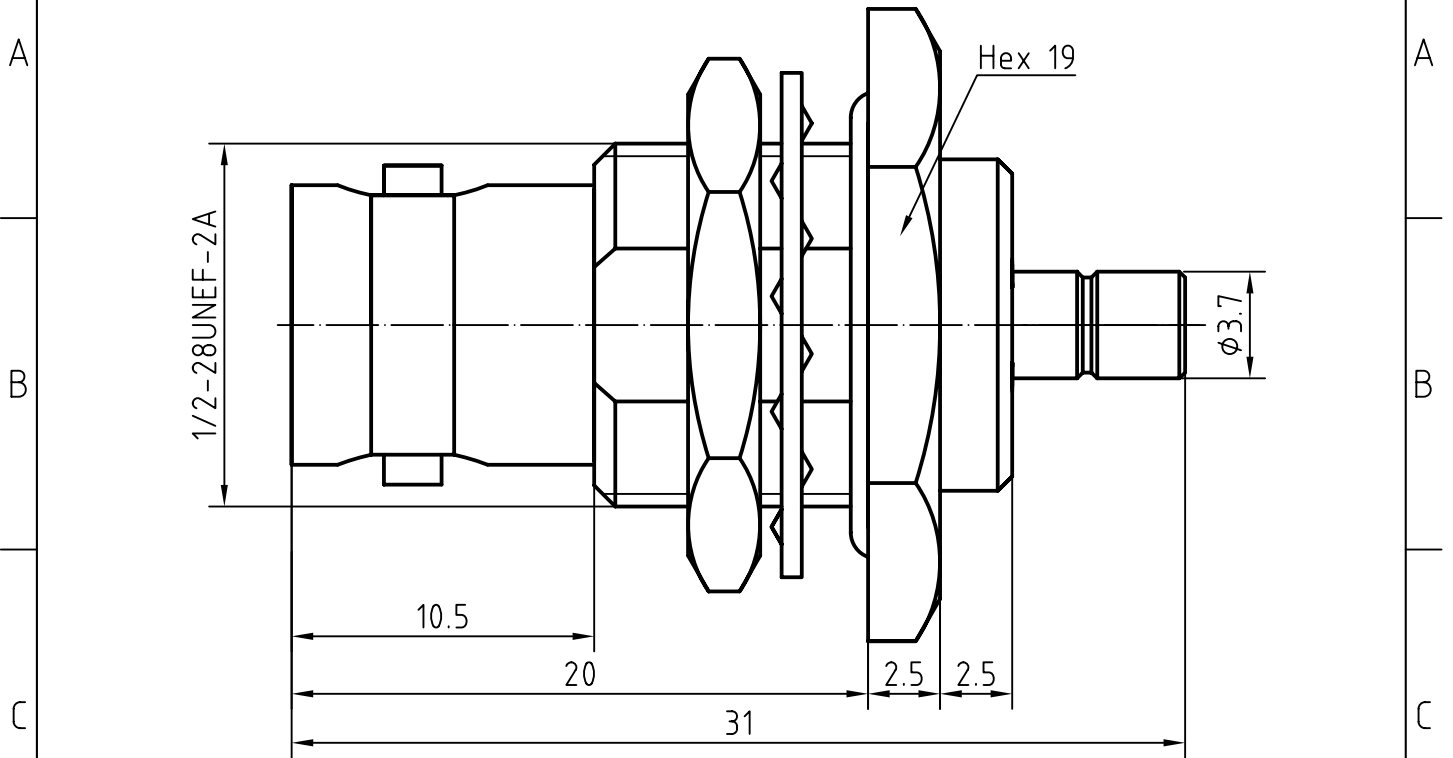
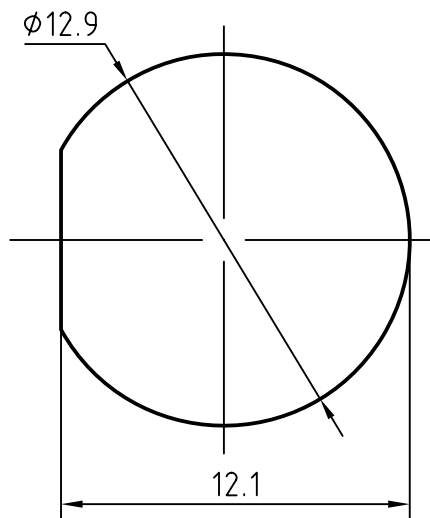


1	RevNo	Revision note	3	Date	4	Signature	Checked
---	-------	---------------	---	------	---	-----------	---------




Mounting hole



3	1	Body	Brass/Nickel plated	
2	1	Insulation	PTFE	
1	1	Center contact	Phosphor bronze/Gold plated	
Itemref	Quantity	Title/Name, designation, material, dimension etc		Article No./Reference

Designed by Mingang Han	Checked by Jinlong GU	Approved by - date Hongyu Du	File name BNC/SMB-KYJ	Date 08.07.24	Scale 5 : 1
----------------------------	--------------------------	---------------------------------	--------------------------	------------------	----------------

 China Xi'an Honor Scien-tech Co.,Ltd	BNC/SMB-KYJ		
	Edition 1.0	Sheet 1/1	