



principle structure

The pressure is measured by a diffused silicon sensor, and the signal is processed by a post-processing circuit and converted into a standard industrial electrical signal for output and display. The all-metal housing design, with a highlighted LED digital display, enables the series to be used in a variety of industrial applications. Double key design and menu make the product more convenient to use, and various connection methods can fully meet various specific installation needs. The 330° rotating display head ensures the best viewing Angle under different installation modes.

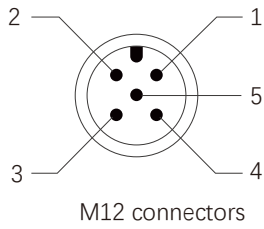
Technical parameters

◇ power supply voltage: 12... 30 VDC	◇ Accuracy: $\leq \pm 0.5\%$ range
◇ No-load current consumption: up to 30mA, 24Vdc power supply	◇ Stability (annual drift) : $\leq \pm 0.3\%$ range
◇ switch output:	His temperature:
◇ output type: PNP/NPN optional, normally open and normally closed can be set S1, S2 output current: <500mA	Medium temperature: -20... 85 ° c.
Response time: <10ms	Ambient temperature: -20... 80 ° c.
Switching accuracy: $\leq \pm 0.5\%$ range	Storage temperature: -30... 80 ° c.
◇ analog output of current type: $\leq \pm 0.5\%$ range	◇ Cardiac materials:
Output type: 4... Can be set to 20 ma	Case of watch head: engineering plastics
Load RA: 0.5 KOhm or less	Case: 304 stainless steel
Linearity: $\leq 0.5\%$ range	Medium contact part: stainless steel 316L/ ceramic
◇ wiring protection: phase reversal, overload, Short circuit protection	◇ protection level: IP67
His display:	◇ outgoing mode: M12x1 connector
Design: red 4-bit 8mm high brightness LED	
Display range: 999... 9999	

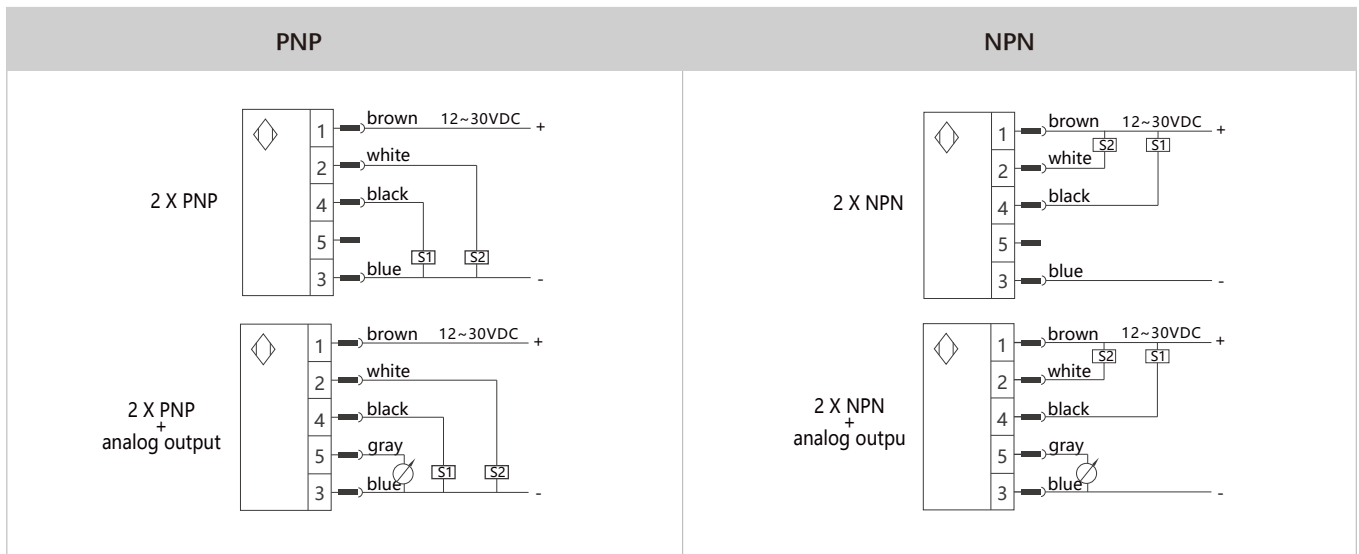
Parameter table

Pressure range	bar	1	2	5	10	16	25	60	100	160	250	400	600
	psi	15	30	75	145	230	370	900	1500	2300	3600	6000	9000
Maximum overload pressure		×5			×3			×2			×1.5		×1.3
Minimum damage pressure		×6			×4			×3			×2		×1.6

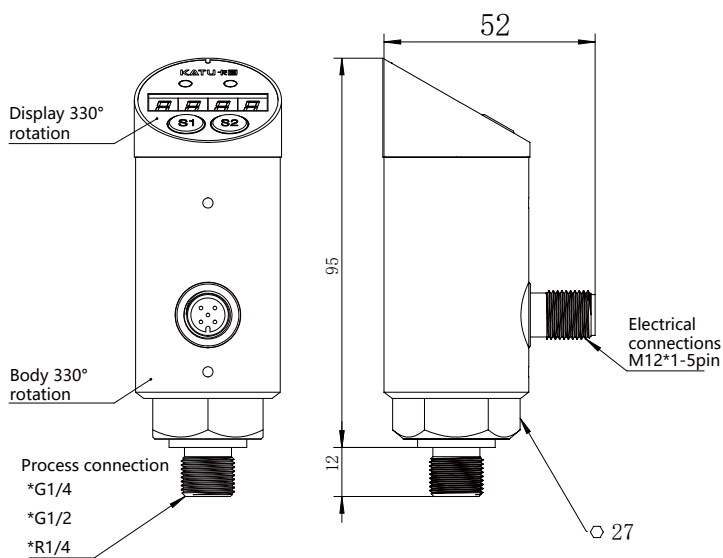
wiring diagram



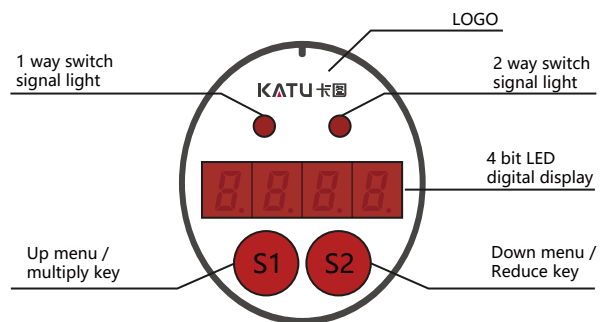
signal	stitching	cable
VDD	1	brown
GND	3	blue
Switch output S1	4	black
Switch output S2	2	white
Analog output (voltage or current)	5	gray



Size chart (mm)




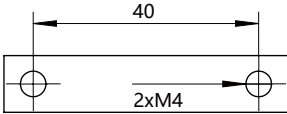
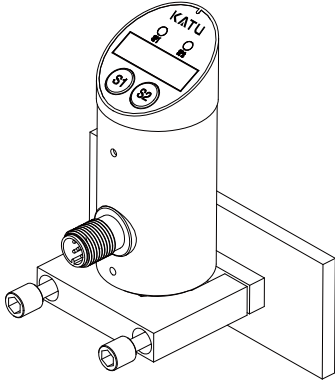
Panel diagram



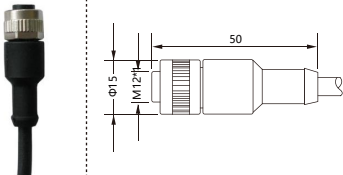
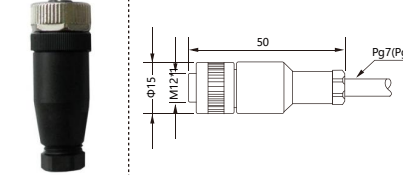
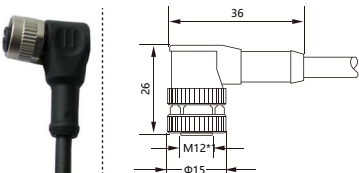
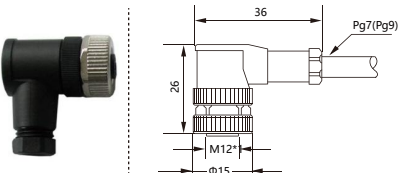
Selection table

PS300-	B	100	G 14M	S 2	P	detailed
PS300						PS300 series electronic digital pressure sensors
	B					Gage pressure
	F					Negative pressure
		0001				Measurement range:-10...10KPa or 0...10KPa
		0006				Measurement range:-60...60KPa or 0...60KPa
		001				Measurement range:-1...1bar or 0...1bar
		002				Measurement range:-1...2bar or 0...2bar
		005				Measurement range:-1...5bar or 0...5bar
		010				Measurement range:0...10bar
		025				Measurement range:0...25bar
		060				Measurement range:0...60bar
		100				Measurement range:0...100bar
		160				Measurement range:0...160bar
		250				Measurement range:0...250bar
		400				Measurement range:0...400bar
		600				Measurement range:0...600bar
		1000				Measurement range:0...1000bar
			G 14M			G 14 External thread
			G 12M			G 12 External thread
			G 14K			G 1/4 External thread
			N 14M			NPT1/4 External thread
			R 14M			R 1/4 External thread
			M 20			M 20* 1.5 External thread
			K 50			Chuck connection outer diameter 50.5mm
				S 2		Two switch outputs
				A 3		Switch output + analog output (0...20/4...20mA)
				V 5		Switch output + analog output (0...5/1...5V)
				V 10		Switch output + analog output (0...10/1...10V)
					P	PNP output
					N	NPN output

Optional accessories-FA027

installation accessories	hole size (mm)	Installation effect drawing
		

Optional accessories - electrical accessories

name	Outline drawing/dimension drawing (mm)	material	model	M12* 1-4pin /5Pin self-connector/size drawing (mm)	model
M12*1-5Pin (2m cable)		PUR	ZL05-PU02G		GL04 (4 Pin joint)
M12*1-5Pin (5m cable)		PUR	ZL05-PU05G		
M12*1-5Pin (10m cable)		PVC	ZL05-PU010G		GL05 (5 Pin joint)
M12*1-5Pin (2m cable)		PUR	ZL05-PC02G		WL04 (4 Pin joint)
M12*1-5Pin (5m cable)		PUR	ZL05-PC05G		
M12*1-5Pin (10m cable)		PVC	ZL05-PC010G		WL05 (5 Pin joint)