



**Principle and characteristics**

TM100 contains a PT100 probe, PT100 resistance value will change with the temperature, PT100 has two wire type, three wire type, four wire type several specifications for choice.

Simple installation, a variety of ranges, a variety of specifications of the probe optional, all stainless steel shell, compact structure. And optional cabinet control table.

**Product application**

TM100 system temperature sensor can meet the different requirements of hydraulic, lubrication, traditional system for temperature measurement, used to detect whether the temperature exceeds the maximum limit or the bottom limit.

**Technical parameter**

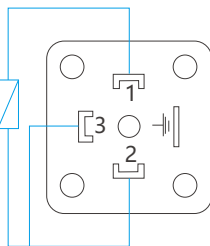
- ◇ Measuring range: PT100
- ◇ Accuracy level: Class A
- ◇ Allowable error:  $\pm 0.15 + 0.002xt$
- ◇ Pressure resistance: Diameter of 6 probe 40bar  
Diameter 8 probe 100bar
- ◇ Shell material: stainless steel
- ◇ Liquid contact material: stainless steel 1.4571
- ◇ Electrical connection: terminal connection
- ◇ Connection mode: terminal connection
- ◇ Protection level: IP65

**Wiring diagram**

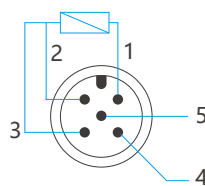
description

1	brown
2	white
3	blue

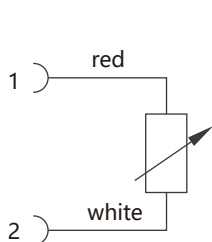
Hersman plug



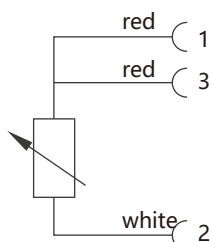
M12\*1 connector



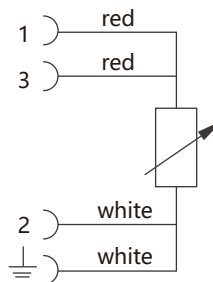
Direct outlet



Two-wire system

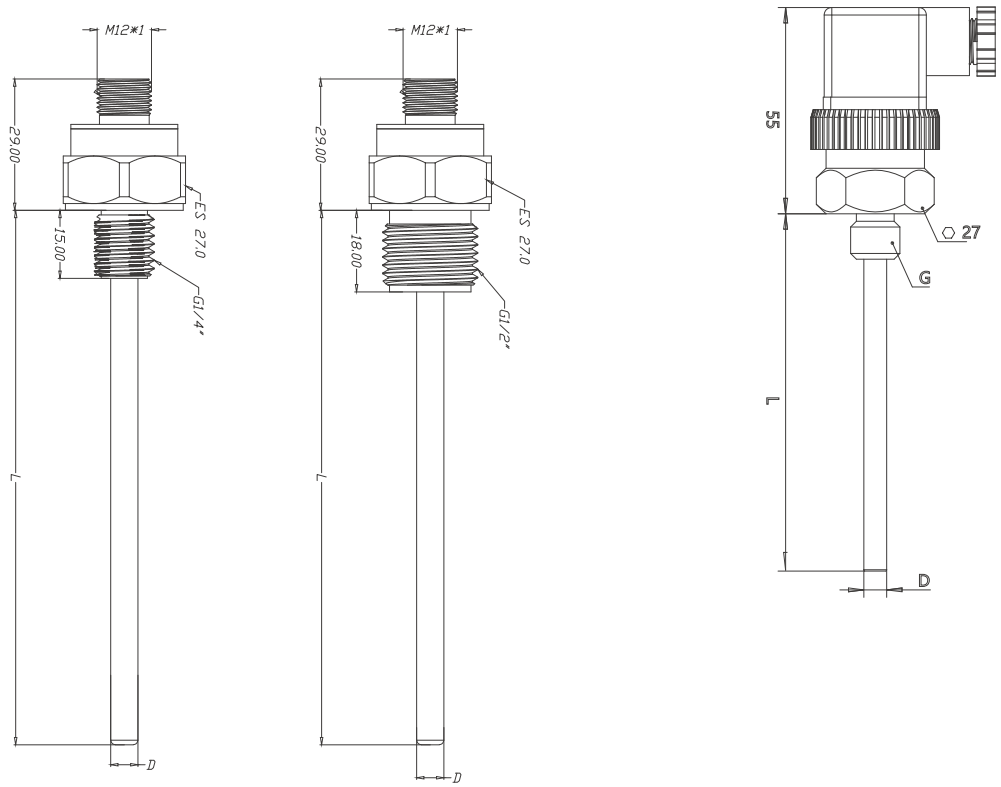


Three-wire system



Four-wire system

Dimensional drawing (mm)



Selection table

TM100-	6	025	G12M	B	detailed
TM100					PT100 Temperature sensor
	6				Pipe diameter $\Phi 6$
	8				Pipe diameter $\Phi 8$
		025			probe length L 25mm
		050			probe length L 50mm
		075			probe length L 75mm
		100			probe length L 100mm
			G14M		Thread interface G1/4 External thread
			G12M		Thread interface G1/2 External thread
				B	DIN43650 Electric plug
				M	M12*1 aviation plug

**overview**

Display control table DF001, which is used in conjunction with ST30 series PT100 temperature sensor to display and control the temperature value. And can set the value output switch alarm signal.

**Product characteristics**

- Four-digit LED digital display
- Input specifications: J,K,S,T,E,B,N,C,DIN-PT100,JIE-PT100, 4~20mA,0-50mV,1~5V,0~10V
- Control: P control: 0.0~300.0%F.S  
Differential: 0~900sec  
ON/OFF control: Hysteresis ranges from 0 to 2000
- Sampling period: 0.5s
- Operating temperature: 0... 50°C, humidity: 90%

**Optional accessory 2-DF001 quantity control table**



**DF001 Selection table**

DF001-	Z	L	A	O	O	T	detailed
DF001-							Display control table DF001
	Z						External dimension 96×96 (square)
	H						External dimension 96×48 (horizontal type)
		L					Input: Linear signal
		P					Input: Thermal resistance
		T					Input: Thermocouple
			A				main output: 4...20mA
			B				main output: Solid state relay trigger output
				O			No auxiliary output
				Q1			Auxiliary output: one - way relay alarm
				Q2			Auxiliary output: second relay alarm
				Q3			Auxiliary output: three-way relay alarm
					O		No communication interface output
					R2		Communication interface RS232
					R4		Communication interface RS485
						D	DC 24±10% power supply
						T	AC 90...260V power supply

After selection, please check the information, in case of selection error!

1. Whether the models are consistent with your requirements
2. Whether the range is correct
3. Whether the type and quantity of output signals are correct
4. Whether there are options and accessories