

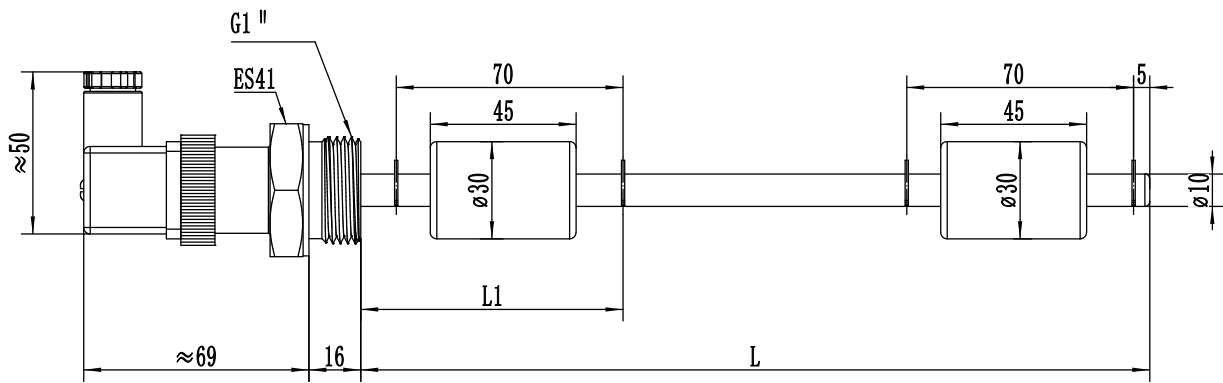


Principles characteristics

Standard type liquid level switch, has many kinds of standard length control rod length. It can be used in small oil and water tank to detect the height and temperature of liquid level.

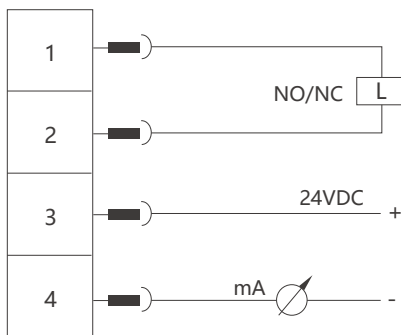
- all-in-one detection of temperature of optional liquid
 - flange or threaded connection
 - high temperature 105°C
 - protection level IP65
 - 70 - v / 0.75 A
 - brass 20bar, stainless steel 60bar DIN43650
- Electrical connection, M12 air plug optional

Size chart (mm)

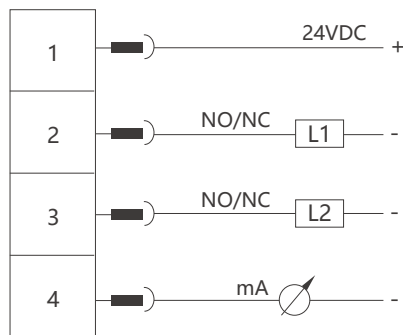


wiring diagram

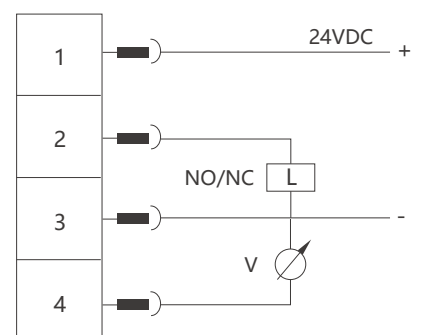
Single liquid level alarm + temperature two-wire system current signal



Double liquid level alarm + temperature two-wire system current signal



Single liquid level alarm + temperature voltage output



Selection table

LC102-	50	NO	-	-	S	F	B	C2080	A	detailed
LC102-										Float type liquid temperature switch
	XX									First switching point L=XX (unit mm)
		NO								L Normally open output
		NC								L Normally closed output
			-							Second switching point L1=XX(unit mm)
				NO						L1 Normally open output
				NC						L1 Normally closed output
					T					Brass material
					S					304 stainless steel
						G				Thread mounting G1
						F				Flange installation
							B			Hersman plug DIN43650
							M			M12* 1 aviation plug
								C2080		Temperature range:- 20~80°C
								C0100		Temperature range: 0~100°C
									A	Temperature output: 4-20mA Two wire
									V010	Temperature output: 0-10V Three wire system
									V110	Temperature output: 1-10V Three wire system
									V05	Temperature output: 0-5V Three wire system
									V15	Temperature output: 1-5V Three wire system