



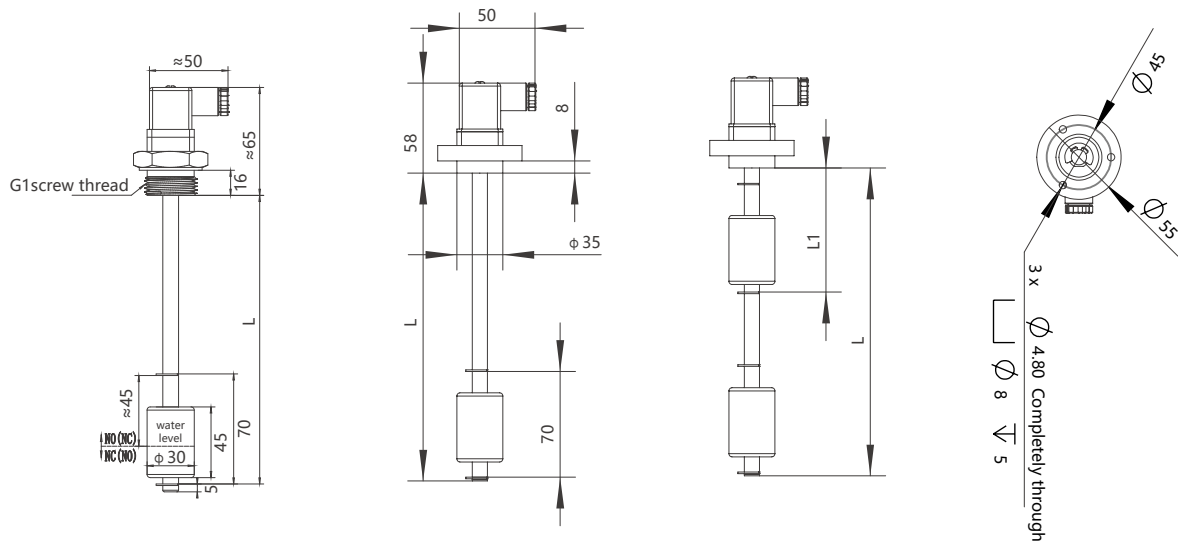
M12*1 Aviation plug

Principles characteristics

Standard type liquid level switch, has many kinds of standard length control rod length. It can be used in small oil and water tank to detect the height and temperature of liquid level.

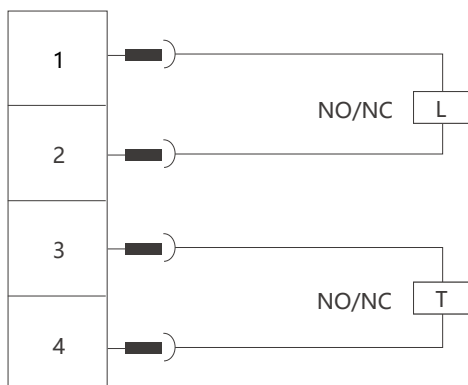
- all-in-one detection of temperature of optional liquid
 - flange or threaded connection
 - high temperature 105°C
 - protection level IP65
 - 70 - v / 0.75 A
 - brass 20bar, stainless steel 60bar DIN43650
- Electrical connection, M12 air plug optional

Size chart (mm)

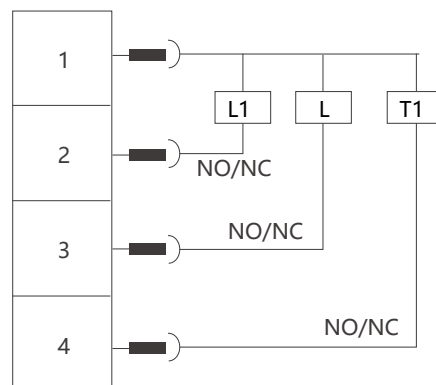


wiring diagram

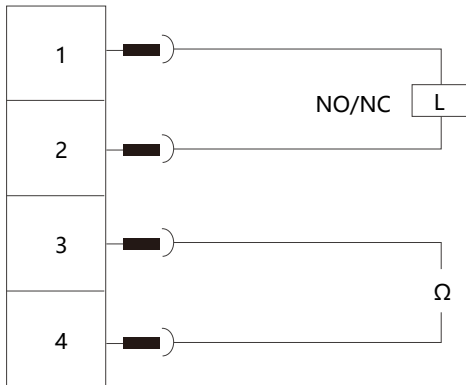
1 way liquid level switch + 1 way temperature switch



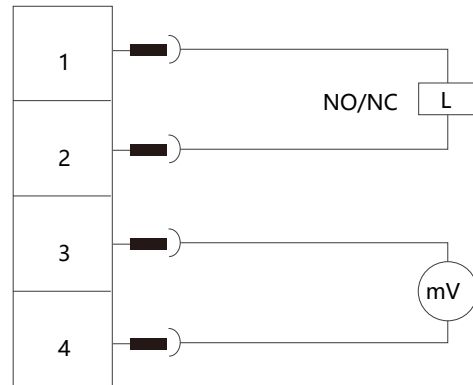
2 way liquid level switch + 1 way temperature switch



1 way liquid level switch + temperature PT100



1 way liquid level switch +K thermocouple



Selection table

LC100-	50	NO	-	NO	S	F	B	P	NO	detailed
LC100										Float type liquid temperature switch
	XX									First switching point L=XX (unit mm)
		NO								L Normally open output (High closure)
		NC								L Normally closed output (High disconnect)
		R								Normally open + normally closed (single switching point only)
			-							Second switch point L1=XX(unit mm)
				NO						L1 Normally open output (High closure)
				NC						L2 Normally closed output (High disconnect)
					T					Brass material
					S					Stainless steel 304
						G				Install G1 with thread
						F				Flange installation
							B			Hersman plug DIN43650
							M			M12*1 aviation plug
										Temperature switch value XX(unit °C)
								60	NO	Normally open (high temperature closed)
									NC	Normally closed (high temperature disconnect)
									P	Two-wire PT100 output
									K	Type K thermocouple output
									NO	Temperature normally open output
									NC	Temperature normally closed output

Without temperature protection, Optional