

Askar

185APO 0.8x 全画幅减焦镜 185APO 0.8x Full Frame Reducer

- 使用说明书
- User's Manual

请勿通过望远镜直接观察太阳，这样做可能导致瞬间失明，
请购买专用太阳观测滤镜或滤膜，来获得最安全的观测指导。

**DO NOT LOOK AT SUN THROUGH TELESCOPE.
IT WILL CAUSE IRREVERSIBLE DAMAGE TO YOUR EYE.**

www.sharppstar-optics.com

使用产品前请仔细阅读本使用说明书。

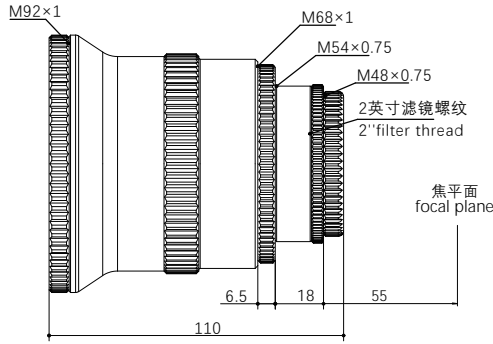
Instructions for use

0.8x的减焦镜，可以使Askar 185APO降至F5.6焦比。这是一款常规的标准减焦镜，当然也有平场修正的功能。更短的焦比，可以使望远镜获得更宽的视野，拥有更快的曝光时间，适合捕捉大面积的星云，星团，以及更暗淡，快速移动的天体。

0.8x减焦镜采用四片式设计，支持全画幅。整体重量为0.95kg。后截距从M48螺纹端面算起为标准55mm，前端螺纹接口为M92*1，末端配有M68*1、M54*0.75以及M48*0.75三种尺寸接环，接驳方便。同时内置M48*0.75 2英寸滤镜螺纹，可直接安装滤镜使用。整体CNC加工，前后螺纹金属端盖，可在不使用时防止落灰。

The 0.8x reducer can bring Askar 185APO's focal ratio down to F5.6. This is a standard reducer with field flattening capabilities as well. A shorter focal ratio allows the OTA to have a wider field of view and faster exposure times, making it suitable for capturing large areas of nebulae, star clusters, and faint, fast-moving celestial objects.

The 0.8x reducer adopts a quadruplet design and supports a 44mm full-frame image circle. The overall weight is 0.95kg. The back focus from the M48 thread is a standard 55mm. The front thread is M84*1. At the camera end, it is equipped with M68*1, M54*0.75, and M48*0.75 three sizes of adapters, which are convenient for connection. At the same time, it has a built-in M48*0.75 2-inch filter thread, which can be directly installed and used. The overall CNC machined, both end threaded metal caps prevent ash when not in use.



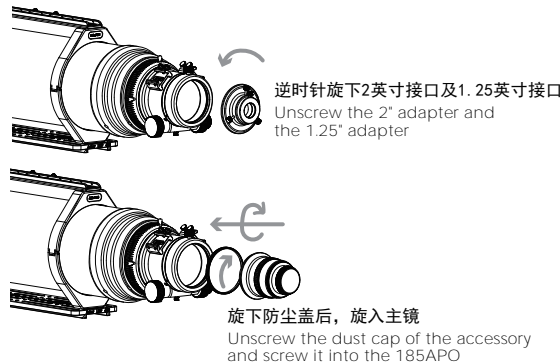
参数

185APO搭配后 焦距: 1036mm
185APO搭配后 焦比: f/5.6
镜片数量: 四片式
后截距: 55mm (从M48端面开始算起)
重量: 0.95kg
末端接口: M68x1
M54x0.75
M54x0.75-M48x0.75 (内置M48x0.75滤镜螺纹)

Parameters

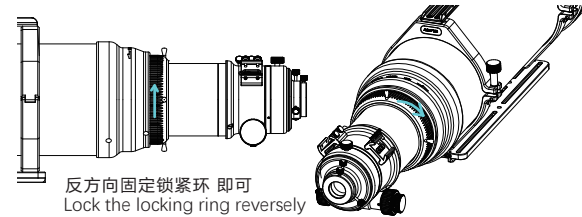
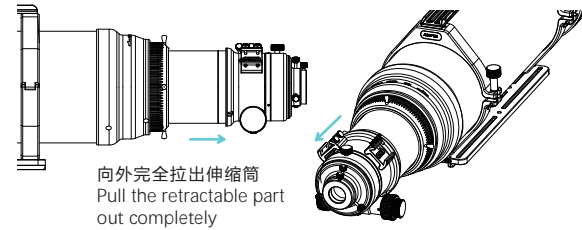
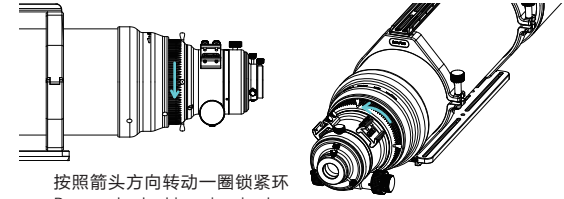
(After attaching) 185APO Focal length: 1036mm
(After attaching) 185APO Focal ratio: f/5.6
Lens Number: Quadruplet design
Back Focus: 55mm (from the base of M48 male thread)
Weight: 0.95kg
Rear-end thread type: M68x1
M54x0.75
M54x0.75-M48x0.75 (M48x0.75 filter thread inside)

安装说明 Installation instruction



注意 Attention

当使用2英寸天顶镜、0.8x减焦镜、1.0x平场镜时，请先按照如图所示
When used with 2" diagonal, 0.8x reducer or 1x flattener, please refer to the figure.



官方网站 微信客服 微信公众号 微博 小红书



Official site Facebook YouTube Ins Twitter