

# Askar

## 185APO 1.0x 全画幅平场镜 185APO 1.0x Full Frame Flattener

- 使用说明书
- User's Manual

请勿通过望远镜直接观察太阳，这样做可能导致瞬间失明，请购买专用太阳观测滤镜或滤镜膜，来获得最安全的观测指导。

**DO NOT LOOK AT SUN THROUGH TELESCOPE.  
IT WILL CAUSE IRREVERSIBLE DAMAGE TO YOUR EYE.**

www.sharpstar-optics.com

使用产品前请仔细阅读本使用说明书。

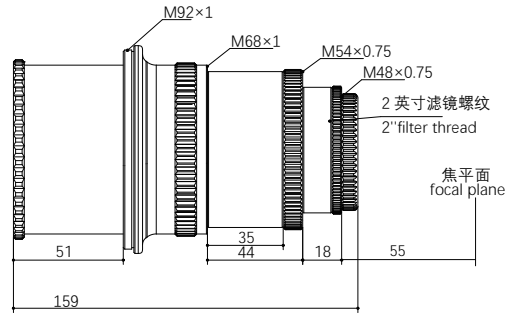
Instructions for use

1.0x平场镜不会改变望远镜的本身的焦比，使用后Askar 185APO 还是F7焦比，平场镜可以矫正场曲和彗差，使像场边缘更加平坦，周边星点更加细密圆润。

1.0x平场镜采用三片式设计，支持全画幅。整体重量为0.74kg。后截距从M48螺纹端面算起为标准55mm，前端螺纹接口为M92\*1，末端配有M68\*1、M54\*0.75以及M48\*0.75三种尺寸接环，接驳方便。同时内置M48\*0.75 2英寸滤镜螺纹，可直接安装滤镜使用。整体CNC加工，前后螺纹金属端盖，防止落灰。

The 1.0x flattener does not change the telescope's focal ratio itself. After connecting with the Askar 185APO, it still maintained a focal ratio of 7. The flattener corrects field curvature and coma, resulting in flatter field edges and finer star points.

The 1.0x flattener adopts a triplet design and supports a 44mm full-frame image circle. The overall weight is 0.74kg. The back focus from the M48 thread is a standard 55mm. The front thread is M84\*1. At the camera end, it is equipped with M68\*1, M54\*0.75, and M48\*0.75 three sizes of adapters, which are convenient for connection. At the same time, it has a built-in M48\*0.75 2-inch filter thread, which can be directly installed and used. The overall CNC machined, both end threaded metal caps prevent ash when not in use.



### 参数

185APO搭配后 焦距: 1295mm

185APO搭配后 焦比: f/7

镜片数量: 三片式

后截距: 55mm (从M48端面开始算起)

重量: 0.74kg

末端接口: M68×1

M54×0.75

M54×0.75-M48×0.75 (内置M48×0.75滤镜螺纹)

### Parameter

(After attaching) 185APO Focal length: 1295mm

(After attaching) 185APO Focal ratio: f/7

Lens Number: Triplet design

Back Focus: 55mm (from the base of M48 male thread)

Weight: 0.74kg

Rear-end thread type: M68×1

M54×0.75

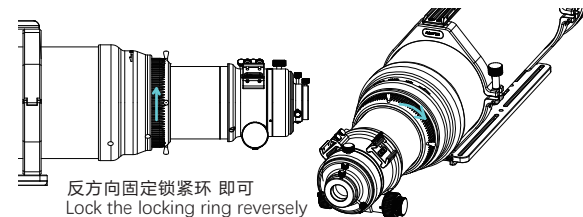
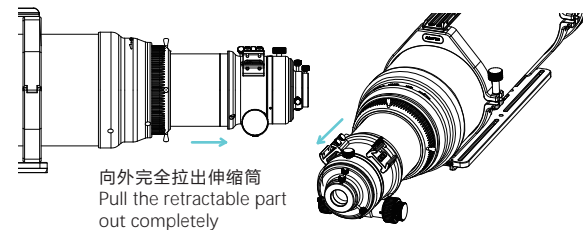
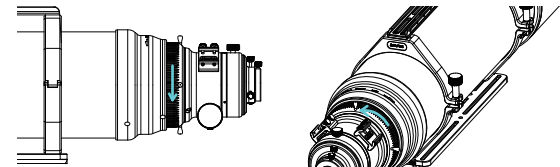
M54×0.75-M48×0.75(M48×0.75 filter thread inside)

### 安装说明 Installation instruction



### ! 注意 Attention

当使用2英寸顶镜、0.8x减焦镜、1.0x平场镜时，请先按照如图所示  
When used with 2" diagonal, 0.8x reducer or 1x flattener, please refer to the figure.



Official site Facebook YouTube Ins Twitter



Official site Facebook YouTube Ins Twitter