

This document contains proprietary information and such information may not be disclosed to others for any purposes, not used for sales/marketing/procurement purposes without written permission

REV	DESCRIPTION OF REVISION	ECN NO.	BY	DATE	APPROVED
A	Initial Release	—	T. Haiyun	23/5/14	23/5/14

1 Electrical

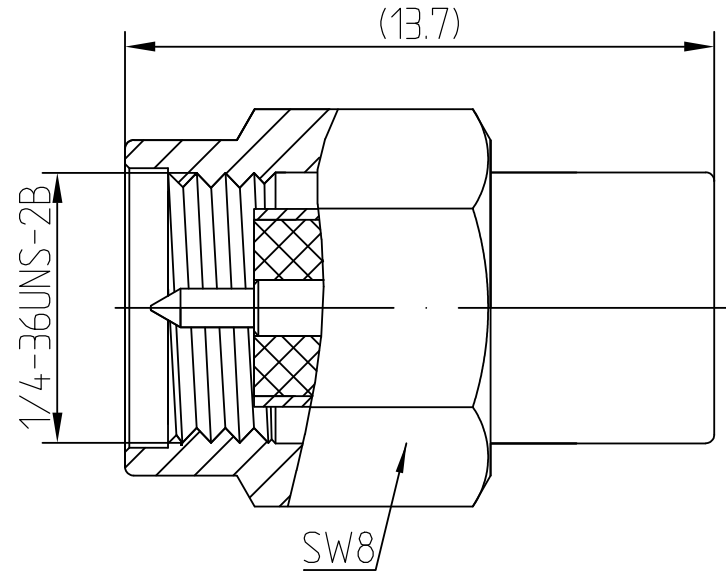
- 1.1 Impedence 50 Ω
- 1.2 Frequency DC ~6GHz
- 1.3 Dielectric withstanding voltage 1000V(volts RMS)
- 1.4 Center contact resistance ≤ 3M Ω
- 1.5 Outer contact resistance ≤ 2M Ω
- 1.6 Insulation resistance: ≥ 5000M Ω
- 1.7 VSWR 1.15:1

2 Environmental&Mechanical

- 2.1 Temperature range -40℃ ~+70℃
- 2.2 RoHs Compliant
- 2.3 Durability >500 cycles


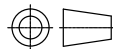
3 Materials&plating

- 3.1 Body: Brass; gold plated
- 3.2 Insulator: Teflon
- 3.3 Contact Pin: Bronze, gold plated
- 3.4 Nut: Brass, gold plated



Notes:

- 1. ALL SPECIFICATIONS ARE SUBJECT TO CHANGE NOTICE AT ANY TIME
- 2. CUSTOMER OUTLINE DRAWING FOR REFERENCE ONLY

DRAWN : T. Haiyun 25/5/14 ENGINEER: C. Tao 25/5/14 APPROVED : W. Qiang 25/5/14 TOLERANCES UNLESS OTHERWISE SPECIFIED X ±0.50 .X ±0.20 .XX ±0.10 ANGLES ±1°	TITLE: TERMINATION SMA Male Conn. Termination (SMA-50JR)	 www.terulai.com  DIMENSION IN MILLIMETERS (mm)		
PART NO: TRL-FZ-468909	SIZE: A4	SCALE: N/A	SHEET: 1/1	REV: A