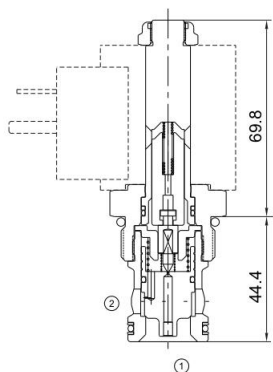


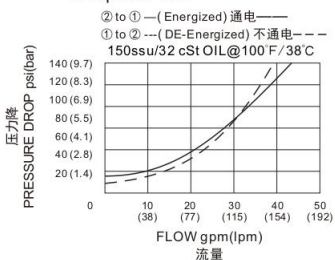


MDSH161C

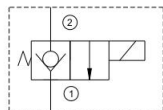
二位二通电磁阀(常闭型)
2-Way, 2-Position
(Normally Closed)



压力-流量性能曲线
Performance Curve Pressure
Drop vs. Flow



机能符号 Symbol



技术参数 Specifications

· 工作压力 Operating Pressure	350BAR
· 流量 Flow	150L/min
· 内泄漏 Internal Leakage	5drop/min.max.at operating pressure
· 温度 Temperature	-30°C to +120°C(-22°F to +250°F)
· 插孔 Cavity	16-2 see page K-15
· 流体 Fluids	Mineral-based fluids with viscosities of 7.4 to 420 cSt.

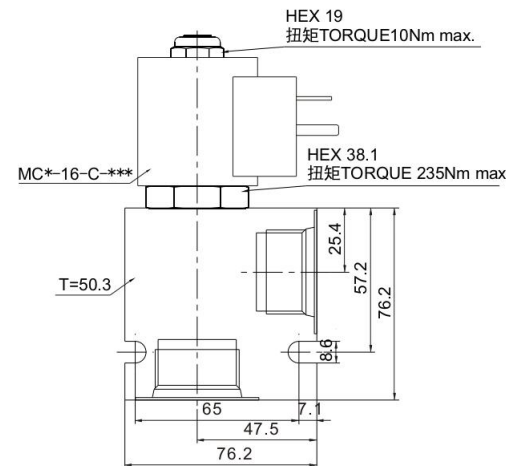
产品特性 Features

- 硬化处理, 零件耐久性强
Hardened, precision ground parts for durability
- 工业通用插孔
Industry common cavity
- 高效能的电磁铁结构
Efficient wet-armature construction
- 可持续工作的电磁铁
Continuous-duty solenoid
- 紧凑的结构
Compact size

工作 Operation

当电磁阀不通电时, ①到②相当于单向阀, ②到①关闭
当电磁阀通电时, ②到①均开启。
When de-energized, the valve acts as a check valve, allowing flow from ① to ② · while blocking flow from ② to ① .
When energized · the poppet lifts to open the ② to ① flow path.

安装尺寸 INSTALLATION DIMENSIONS



订购型号 Order Type

MDSH161C - * - * * * - * *

I II III IV V VI

- | | | |
|---|---|---|
| <p>I. 油封 Seal-Kits
N=丁腈橡胶 Buna N
V=氟橡胶 Viton</p> | <p>II. 电压 Voltage
12=12V
24=24V
110V=110V
220V=220V</p> | <p>V. 阀块材质 BODY MATERIAL
A=6061-T6铝
耐压强度207Bar
6061-T6 aluminum alloy rated at 207Bar
S=钢材 耐压强度350Bar
steel rated at 350Bar</p> |
| <p>III. 线圈连接 Coil Connection
A=安普插头 Amp Plug
B=插片 Double Spade
D=双线引出 Double Lead
S=单线引出 Single Lead
H=DIN43650</p> | <p>IV. 电流类型 Current Type
D=直流电 Direct current
A=交流电 Alternating current</p> | <p>VI. 阀块油口 BODY PORTING
10T=SAE 10T
16T=SAE 16T
6G=G3/4
8G=G1
其他螺纹油口是可选择的
Other porting is available</p> |