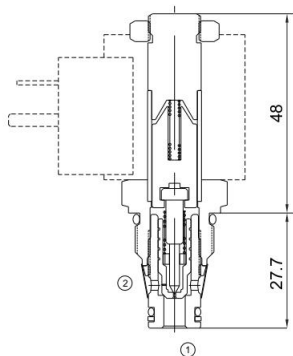


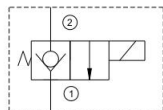


MDSV-08-2NCP

二位二通电磁阀(常闭型)
2-Way, 2-Position
(Normally Closed)



机能符号 Symbol



技术参数 Specifications

| | |
|---------------------------|--|
| · 工作压力 Operating Pressure | 210BAR |
| · 流量 Flow | 18.9L/min |
| · 内泄漏 Internal Leakage | 2drop/min.max.at operating pressure |
| · 温度 Temperature | -30°C to +120°C (-22°F to +250°F) |
| · 插孔 Cavity | 08-2 see page K-9 |
| · 流体 Fluids | Mineral-based fluids with viscosities of 7.4 to 420 cSt. |

产品特性 Features

- 硬化处理, 零件耐久性强
Hardened, precision ground parts for durability
- 工业通用插孔
Industry common cavity
- 高效能的电磁铁结构
Efficient wet-armature construction
- 可持续工作的电磁铁
Continuous-duty solenoid
- 紧凑的结构
Compact size

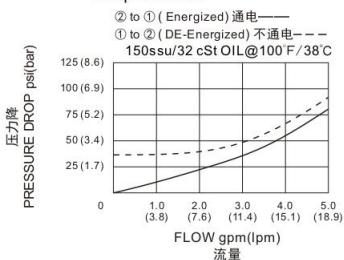
工作 Operation

当电磁阀不通电时, ①到②相当于单向阀, ②到①关闭
当电磁阀通电时, ②到①均开启。

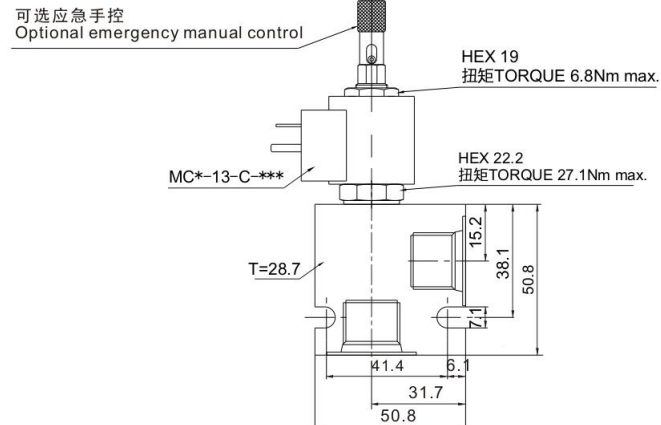
When de-energized, the valve acts as a check valve, allowing flow from ① to ② · while blocking flow from ② to ① .

When energized · the poppet lifts to open the ② to ① flow path.

压力-流量性能曲线
Performance Curve Pressure
Drop vs. Flow



安装尺寸 INSTALLATION DIMENSIONS



订购型号 Order Type

MDSV-08-2NCP - * - * - * * * - * *

I II III IV V VI VII

- | | | |
|---|--|---|
| <p>I. 手控应急 Manual Emergency 空白=无手控应急 Not Manual M=手控应急 Manual Emergency</p> <p>II. 油封 Seal-Kits N=丁腈橡胶 Buna N V=氟橡胶 Viton</p> | <p>III. 电压 Voltage 12=12V 24=24V 110V=110V 220V=220V</p> <p>IV. 线圈连接 Coil Connection A=安普插头 Amp Plug B=插片 Double Spade D=双线引出 Double Lead S=单线引出 Single Lead H=DIN43650</p> <p>V. 电流类型 Current Type D=直流电 Direct current A=交流电 Alternating current</p> | <p>VI. 阀块材质 BODY MATERIAL A=6061-T6铝 耐压强度207Bar 6061-T6 aluminum alloy rated at 207Bar S=钢材 耐压强度350Bar steel rated at 350Bar</p> <p>VII. 阀块油口 BODY PORTING 4T=SAE 4T 8T=SAE 8T 3G=G3/8 3N=NPT3/8 其他螺纹油口是可选择的 Other porting is available</p> |
|---|--|---|