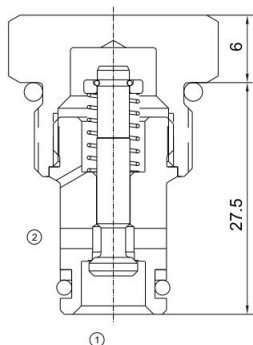


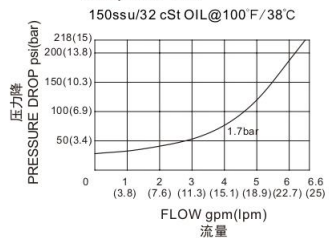


MCVR-08-P

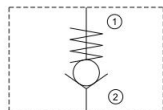
单向阀
Check Valve



压力-流量性能曲线
Performance Curve Pressure
Drop vs. Flow



机能符号 Symbol



技术参数 Specifications

- 工作压力 Operating Pressure 350BAR
- 流量 Flow 25L/min
- 内泄漏 Internal Leakage 2drop/min.max.at operating pressure
- 温度 Temperature -30°C to +120°C (-22°F to +250°F)
- 插孔 Cavity 08-2 see page K-9
- 流体 Fluids Mineral-based fluids with viscosities of 7.4 to 420 cSt.

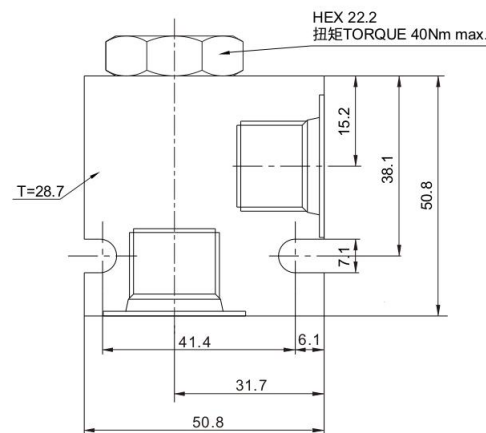
产品特性 Features

- 硬化处理, 零件耐久性强
Hardened, precision ground parts for durability
- 工业通用插孔
Industry common cavity
- 紧凑的结构
Compact size
- 低泄漏设计
Low leakage design

工作 Operation

当在②口的压力超过开启压力, ②到①开启; 在反方向, ①到②关闭;
Pressure at ② overcomes the spring-bias poppet and allows free flow ② to ①. Flow in the opposite direction, from ① to ②, is blocked by the poppet.

安装尺寸 INSTALLATION DIMENSIONS



D

订购型号 Order Type

MCVR-08-P - * - * - * *

I II III IV

- | | | |
|---|--|--|
| <p>I. 开启压力 Cracking Pressure</p> <ul style="list-style-type: none"> 0.7=10psi(0.7bar) 1.4=20psi(1.4bar) 4.1=60psi(4.1bar) 5.5=80psi(5.5bar) 7.6=110psi(7.6bar) | <p>III. 阀块材质 BODY MATERIAL</p> <ul style="list-style-type: none"> A=6061-T6铝 耐压强度207Bar 6061-T6 aluminum alloy rated at 207Bar S=钢材 耐压强度350Bar steel rated at 350Bar | <p>IV. 阀块油口 BODY PORTING</p> <ul style="list-style-type: none"> 4T=SAE 4T 8T=SAE 8T 3G=G3/8 3N=NPT3/8 其他螺纹油口是可选择的 Other porting is available |
| <p>II. 油封 Seal-Kits</p> <ul style="list-style-type: none"> N=丁腈橡胶 Buna N V=氟橡胶 Viton | | |