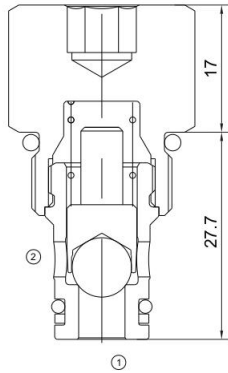


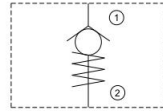


MCV-08-B-HIEX

单向阀
Check Valve



机能符号 Symbol



技术参数 Specifications

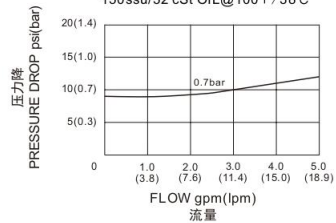
· 工作压力 Operating Pressure	250BAR
· 流量 Flow	19L/min
· 内泄漏 Internal Leakage	3drop/min.max.at operating pressure
· 温度 Temperature	-30°C to +120°C (-22°F to +250°F)
· 插孔 Cavity	08-2 see page K-9
· 流体 Fluids	Mineral-based fluids with viscosities of 7.4 to 420 cSt.

产品特性 Features

- 硬化处理, 零件耐久性强
Hardened, precision ground parts for durability
- 工业通用插孔
Industry common cavity
- 紧凑的结构
Compact size
- 低泄漏设计
Low leakage design

压力-流量性能曲线
Performance Curve Pressure Drop vs. Flow

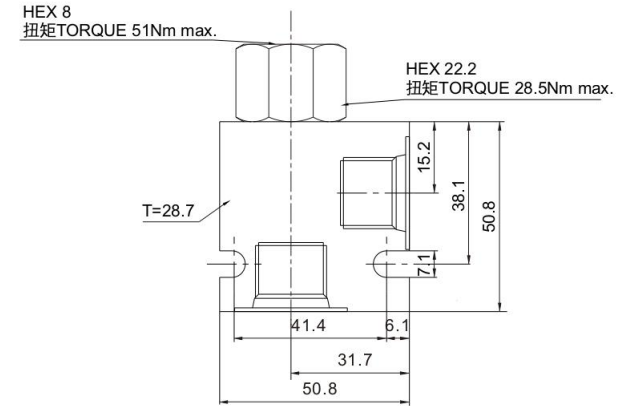
150ssu/32 cSt OIL@100 F/38°C



工作 Operation

当在①口的压力超过开启压力, ①到②开启; 在反方向, ②到①关闭;
Pressure at ① overcomes the spring-bias poppet and allows free flow ① to ②. Flow in the opposite direction, from ② to ①, is blocked by the poppet.

安装尺寸 INSTALLATION DIMENSIONS



订购型号 Order Type

MCV-08-B-HIEX - * - * - * *

I II III IV

- | | | |
|---|--|--|
| I. 开启压力 Cracking Pressure
0.3=4psi(0.3bar)
0.7=10psi(0.7bar)
2.1=30psi(2.1bar)
6.9=100psi(6.9bar) | III. 阀块材质 BODY MATERIAL
A=6061-T6铝
耐压强度207Bar
6061-T6 aluminum
alloy rated at 207Bar
S=钢材 耐压强度350Bar
steel rated at 350Bar | IV. 阀块油口 BODY PORTING
4T=SAE 4T
8T=SAE 8T
3G=G3/8
3N=NPT3/8
其他螺纹油口是可选择的
Other porting is available |
| II. 油封 Seal-Kits
N=丁腈橡胶 Buna N
V=氟橡胶 Viton | | |