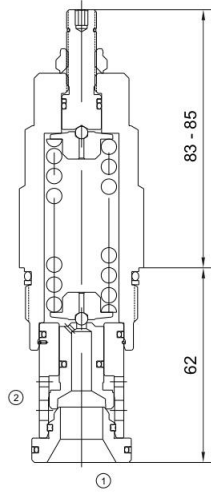


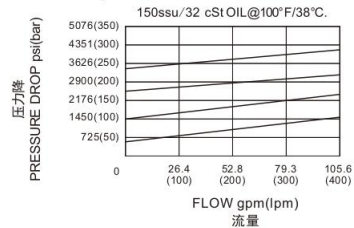


MRDHA

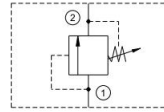
直动式溢流阀
Directly Operated Relief Valve



压力-流量性能曲线
Performance Curve Pressure Drop vs. Flow



机能符号 Symbol



技术参数 Specifications

· 工作压力 Operating Pressure	350BAR
· 流量 Flow	380L/min
· 内泄漏 Internal Leakage	0.7ml/min,max.to 90% of normal setting
· 温度 Temperature	-30°C to +120°C (-22°F to +250°F)
· 插孔 Cavity	T-16A see page K-3
· 流体 Fluids	Mineral-based fluids with viscosities of 7.4 to 420 cSt.

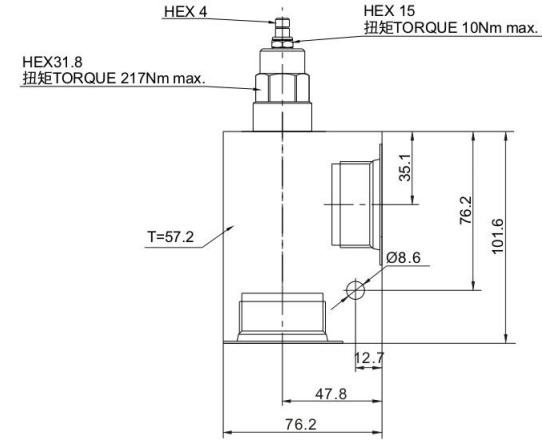
产品特性 Features

- 可在口2接受最大压力；适合应用在交叉端口的溢流油路中。
Will accept maximum pressure at port 2; suitable for use in cross port relief circuits.
- 调节螺钉的密封暴露在系统压力下。这意味着只有当压力被移除时，此阀才可被调节。设定流程为；检查设定，移除压力，调节阀，检查新设定。
The seals on the adjust screw are exposed to system pressure which means this valve can only be adjusted when the pressure is removed. The setting procedure is; check the setting, remove the pressure, adjust the valve, check the new setting.
- 此阀对变动的油液温度和油液污染不敏感。
Valve is relatively insensitive to varying oil temperatures and oil contamination.

工作 Operation

直动式溢流阀为常闭压力限制阀，常用来保护液压元件，以防止其受瞬态压力的冲击。当压力在进口（口1）达到阀的设定值，阀开始向油箱（口2）溢流，节流以限制压力上升。此类阀调节平稳、噪声小，基本为零泄漏，抗油污能力强，防堵塞并且响应速度快。
Direct-acting relief cartridges are normally closed, pressure-limiting Valve used to protect hydraulic components from pressure transients. When the pressure at the inlet (port 1) reaches the valve setting, the valve starts to open to tank (port 2), throttling flow to limit the pressure rise. These Valves are smooth and quiet, essentially zero leak, dirt tolerant, immune to silting and are very fast.

安装尺寸 INSTALLATION DIMENSIONS



订购型号 Order Type

MRDHA - * * * - * *

I II III IV V

- | | | |
|---|---|--|
| <p>I. 调节方式 Adjustment
L=螺钉调整 Screw Adjust</p> <p>II. 调压范围 Pressure Range
B=300-1500psi(20-105bar)
Preset:1000psi(70bar)
A=500-3000psi(35-210bar)
Preset:1000psi(70bar)
W=800-4500psi(55-315bar)
Preset:1000psi(70bar)
C=1000-6000psi(70-420bar)
Preset:1000psi(70bar)
D=200-800psi(14-55bar)
Preset:400psi(28bar)
E=100-400psi(7-28bar)
Preset:200psi(14bar)
S=50-200psi(3.5-14bar)
Preset:100psi(7bar)</p> | <p>III. 油封 Seal-Kits
N=丁腈橡胶 Buna N
V=氟橡胶 Viton</p> <p>IV. 阀块材质 BODY MATERIAL
A=6061-T6铝
耐压强度207Bar
6061-T6 aluminum alloy rated at 207Bar
S=钢材 耐压强度350Bar
steel rated at 350Bar</p> | <p>V. 阀块油口 BODY PORTING
12T=SAE 12T
20T=SAE 20T
8N=NPT1
8G=G1
其他螺纹油口是可选择的
Other porting is available</p> |
|---|---|--|