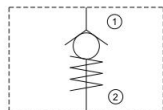


MCV-M221.5

单向阀
Check Valve

机能符号 Symbol



技术参数 Specifications

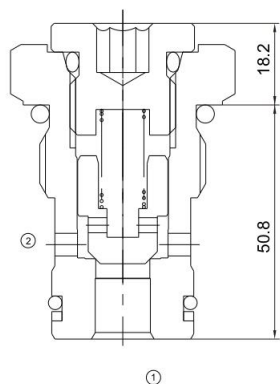
| | |
|---------------------------|--|
| · 工作压力 Operating Pressure | 207BAR |
| · 流量 Flow | 50L/min |
| · 内泄漏 Internal Leakage | 5drop/min.max.at operating pressure |
| · 温度 Temperature | -30°C to +120°C (-22°F to +250°F) |
| · 插孔 Cavity | CV-M221.5 see page K-31 |
| · 流体 Fluids | Mineral-based fluids with viscosities of 7.4 to 420 cSt. |

产品特性 Features

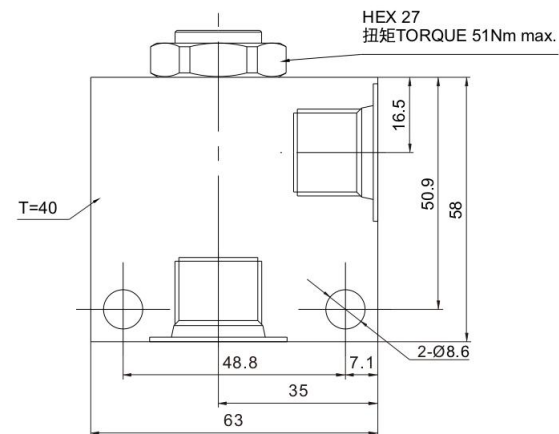
- 硬化处理, 零件耐久性强
Hardened, precision ground parts for durability
- 工业通用插孔
Industry common cavity
- 紧凑的结构
Compact size
- 低泄漏设计
Low leakage design

工作 Operation

当在①口的压力超过开启压力, ①到②开启; 在反方向, ②到①关闭;
Pressure at ① overcomes the spring-bias poppet and allows free flow ① to ②. Flow in the opposite direction, from ② to ①, is blocked by the poppet.



安装尺寸 INSTALLATION DIMENSIONS



D

订购型号 Order Type

MCV-M221.5 - * - * *

I II III

I. 油封 Seal-Kits
N=丁腈橡胶 Buna N
V=氟橡胶 Viton

II. 阀块材质 BODY MATERIAL
A=6061-T6铝
耐压强度207Bar
6061-T6 aluminum
alloy rated at 207Bar
S=钢材 耐压强度350Bar
steel rated at 350Bar

III. 阀块油口 BODY PORTING
6T=SAE 6T
8T=SAE 8T
3G=G3/8
3N=NPT3/8
其他螺纹油口是可选择的
Other porting is available