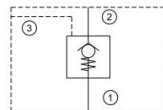


# MSC5H

液控单向阀  
Pilot Check Valve

## 机能符号 Symbol



## 技术参数 Specifications

· 工作压力 Operating Pressure	207BAR
· 流量 Flow	50L/min
· 内泄漏 Internal Leakage	5drop/min.max.at operating pressure
· 温度 Temperature	-30°C to +120°C (-22°F to +250°F)
· 插孔 Cavity	SC5H see page K-31
· 流体 Fluids	Mineral-based fluids with viscosities of 7.4 to 420 cSt.

## 产品特性 Features

- 硬化处理, 零件耐久性强  
Hardened, precision ground parts for durability
- 工业通用插孔  
Industry common cavity
- 紧凑的结构  
Compact size
- 低泄漏设计  
Low leakage design

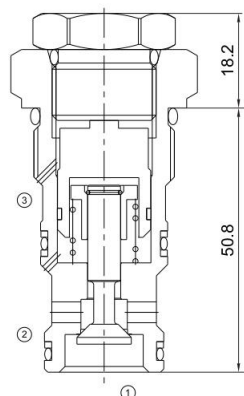
## 工作 Operation

当在②口的压力超过开启压力, ②到①开启; 当③口压力超过①口压力, ①到②互通。

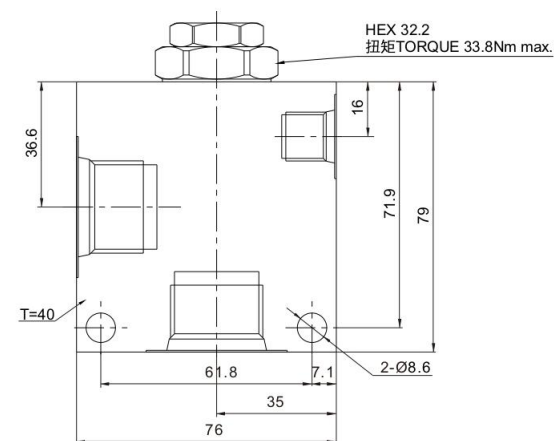
Pressure at ② overcomes the spring-bias poppet and allows free flow

② to ①. When the pressure of ③ exceeds the pressure of ①,

① Interchange to ②.



## 安装尺寸 INSTALLATION DIMENSIONS



## 订购型号 Order Type

MSC5H - \* - \* \*

I      II      III

I. 油封 Seal-Kits  
N=丁腈橡胶 Buna N  
V=氟橡胶 Viton

II. 阀块材质 BODY MATERIAL  
A=6061-T6铝  
耐压强度207Bar  
6061-T6 aluminum  
alloy rated at 207Bar  
S=钢材 耐压强度350Bar  
steel rated at 350Bar

III. 阀块油口 BODY PORTING  
6T=SAE 6T  
8T=SAE 8T  
3G=G3/8  
3N=NPT3/8  
其他螺纹油口是可选择的  
Other porting is available