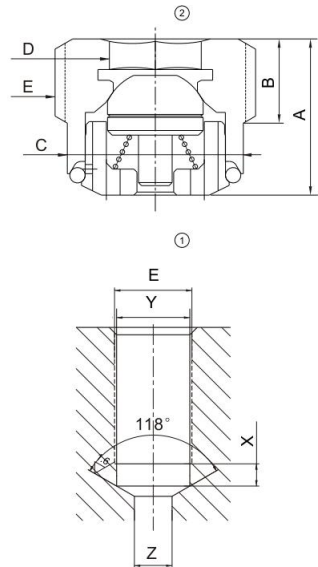




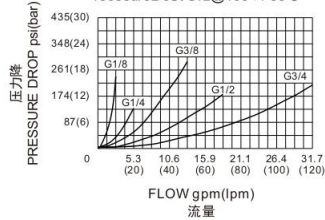
# MCVR-\*\*

单向阀  
Check Valve

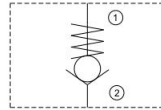


压力-流量性能曲线  
Performance Curve Pressure Drop vs. Flow

150ssu/32 cSt OIL@100 F/38 C



## 机能符号 Symbol



## 技术参数 Specifications

- 工作压力 Operating Pressure 350BAR
- 流量 Flow 见图
- 内泄漏 Internal Leakage 2drop/min.max.at operating pressure
- 温度 Temperature -30°C to +120°C (-22°F to +250°F)
- 插孔 Cavity 见图
- 流体 Fluids Mineral-based fluids with viscosities of 7.4 to 420 cSt.

## 产品特性 Features

- 硬化处理,零件耐久性强  
Hardened, precision ground parts for durability
- 工业通用插孔  
Industry common cavity
- 紧凑的结构  
Compact size
- 低泄漏设计  
Low leakage design

## 工作 Operation

当在②口的压力超过开启压力,②到①开启;在反方向,①到②关闭;  
Pressure at ② overcomes the spring-bias poppet and allows free flow ② to ①. Flow in the opposite direction, from ① to ②, is blocked by the poppet.

## 安装尺寸 INSTALLATION DIMENSIONS

Valve Details							Cavity Details		
E	A	B	C	D	MAX Flow	Install Torque	X	Y	Z
size	mm	mm	mm	mm	L/min	Nm	mm	mm	mm
G1/8	8.0	3.9	φ 8.5	φ 4	10	8	3.0	φ 8.7	φ 5
G1/4	10.2	5.5	φ 11.5	φ 6	20	15	3.0	φ 11.6	φ 7
G3/8	11.7	7.0	φ 14.9	φ 8	50	20	3.0	φ 15.1	φ 9
G1/2	13.5	7.9	φ 18.7	φ 10	80	40	3.0	φ 18.8	φ 12
G3/4	17.1	11.5	φ 24.0	φ 10	120	80	3.0	φ 24.3	φ 18



## 订购型号 Order Type

MCVR - \* - \*  
          |    |

### I. 螺纹规格 Thread Size

- G1/8=G1/8
- G1/4=G1/4
- G3/8=G3/8
- G1/2=G1/2
- G3/4=G3/4

### II. 油封 Seal-Kits

- N=丁腈橡胶 Buna N
- V=氟橡胶 Viton