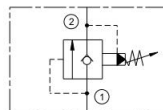


## MGZF-1/OR

先导式溢流阀(反向单向型)  
Pilot-operated Relief Valve  
(Reverse one-way type)

机能符号 Symbol



### 技术参数 Specifications

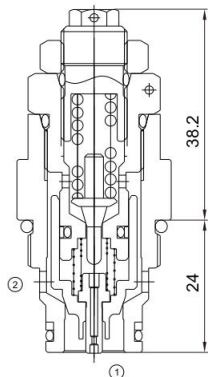
· 工作压力 Operating Pressure	350BAR
· 流量 Flow	113L/min
· 调压范围 Pressure Range	50bar-290bar ,Preset:150bar(check:1.5bar)
· 内泄漏 Internal Leakage	30ml/min.max.to 80% of normal setting
· 温度 Temperature	-30°C to +120°C(-22°F to +250°F)
· 插孔 Cavity	GZF-1/OR see page K-29
· 流体 Fluids	Mineral-based fluids with viscosities of 7.4 to 420 cSt.

### 产品特性 Features

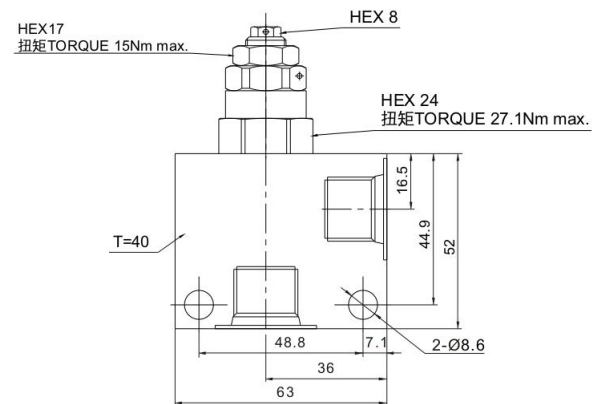
- 迅速响应压力变化  
Fast response to pressure surges
- 长寿命的阀  
Hardened poppet and seat for long life
- 调压杆可被锁定住  
Adjustment may be locked in place
- 工业通用插孔  
Industry common cavity
- 紧凑的结构  
Compact size
- 调节时, 弹簧不会被压并  
Adjustment prevents spring from going solid

### 工作 Operation

当①口压力超过弹簧设定压力时, 锥阀芯打开, ①到②开始溢流, 防止系统过压。当在②口的压力超过开启压力, ②到①开启。  
The valve prevents flow from ① to ② until the set crack pressure at ① is achieved. The poppet then unseat allowing flow from ① to ② protecting the circuit from over pressurization. When pressure at ② rises above the springs bias pressure, the poppet is lifted and flow allowed from ② to ①.



安装尺寸 INSTALLATION DIMENSIONS



A

订购型号 Order Type

MGZF-1/OR - \* - \* \*

I            II        III

I. 油封 Seal-Kits  
N=丁腈橡胶 Buna N  
V=氟橡胶 Viton

II. 阀块材质 BODY MATERIAL  
A=6061-T6铝  
耐压强度207Bar  
6061-T6 aluminum  
alloy rated at 207Bar  
S=钢材 耐压强度350Bar  
steel rated at 350Bar

III. 阀块油口 BODY PORTING  
6T=SAE 6T  
8T=SAE 8T  
4G=G1/2  
4N=NPT1/2  
其他螺纹油口是可选择的  
Other porting is available