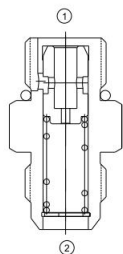


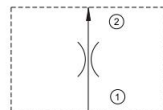


MBH-6T/8T

流量控制阀(压力补偿型)
Flow Control Valve
(Pressure-compensated type)



机能符号 Symbol



技术参数 Specifications

· 工作压力 Operating Pressure	210BAR
· 流量 Flow	12L/min
· 温度 Temperature	-30°C to +120°C (-22°F to +250°F)
· 插孔 Cavity	page K-35
· 流体 Fluids	Mineral-based fluids with viscosities of 7.4 to 420 cSt.

产品特性 Features

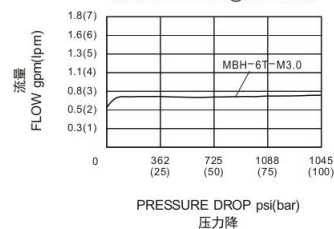
- 硬化处理, 零件耐久性强
Hardened, precision ground parts for durability
- 紧凑的结构
Compact size
- 响应调节平稳
modulated response
- 所有外部零件镀锌
All external part zinc plated

工作 Operation

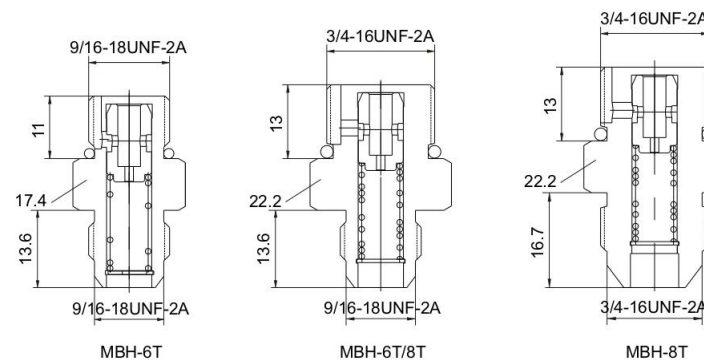
不管在①口的负载如何变化, ②口的流量都能保持在一额定的范围内。
固定节流孔大小根据客户流量要求而定。
在反方向②到①, 没有办法压力补偿。
The valve maintains a constant flow rate out of ② regardless of load pressure changes in the circuit downstream of ①; The fixed control orifice is factory preset to customer flow specification.
Reverse flow ② to ① returns through the control orifice and is non-compensated.

压力-流量性能曲线
Performance Curve Pressure Drop vs. Flow

150ssu/32 cSt OIL@100°F/38°C



安装尺寸 INSTALLATION DIMENSIONS



订购型号 Order Type

MBH - * - M * - *

I II III

I. 接口 Interface

6T=SAE 6T
6T/8T=SAE 6T/SAE 8T
8T=SAE 8T

II. 流量等级 Flow Range

1.0=1L/min	1.5=1.5L/min
2.0=2L/min	2.5=2.5L/min
3.0=3L/min	3.5=3.5L/min
5.0=5L/min	6.0=6L/min
7.5=7.5L/min	11.5=11.5L/min

III. 油封 Seal-Kits

N=丁腈橡胶 Buna N
V=氟橡胶 Viton