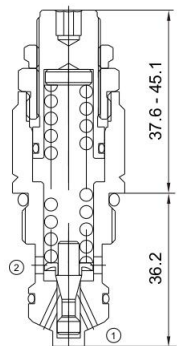


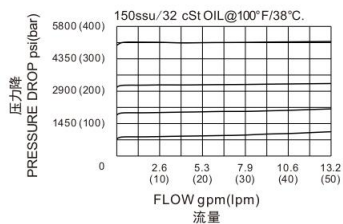


# MRV-M22

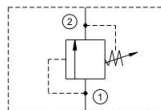
直动式溢流阀  
Directly Operated Relief Valve



压力-流量性能曲线  
Performance Curve Pressure Drop vs. Flow



## 机能符号 Symbol



## 技术参数 Specifications

· 工作压力 Operating Pressure	350BAR
· 流量 Flow	50L/min
· 内泄漏 Internal Leakage	0.25ml/min.max.to 80% of nominal setting
· 温度 Temperature	-30°C to +120°C (-22°F to +250°F)
· 插孔 Cavity	M221.5T see page K-22
· 流体 Fluids	Mineral-based fluids with viscosities of 7.4 to 420 cSt.

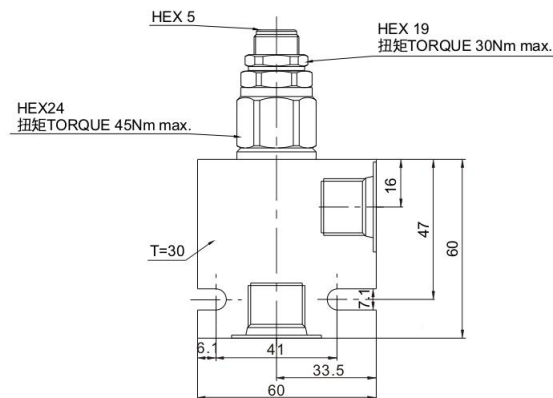
## 产品特性 Features

- 硬化处理, 零件耐久性强  
Hardened, precision ground parts for durability
- 紧凑的结构  
Compact size
- 调节杆可被锁定  
Adjustment may be locked in place
- 迅速响应压力变化  
Fast response to pressure surges

## 工作 Operation

当①口压力超过弹簧设定压力时, 锥阀芯打开, ①到②开始溢流, 防止系统过压。  
The valve prevents flow from ① to ② until the set crack pressure at ① is achieved. The poppet then unseat allowing flow from ① to ② protecting the circuit from over pressurization.

## 安装尺寸 INSTALLATION DIMENSIONS



## 订购型号 Order Type

MRV-M22 - \* - \* - \* \*

I      II      III    IV

- |  |  |  |
|--|--|--|
| <p>I. 调压范围 Pressure Range</p> <p>Y=200-870psi(15-60bar)<br/>Preset:650psi(45bar)</p> <p>N=360-1900psi(25-135bar)<br/>Preset:1000psi(70bar)</p> <p>B=700-3200psi(50-220bar)<br/>Preset:1500psi(100bar)</p> <p>G=1700-5000psi(120-350bar)<br/>Preset:3000psi(210bar)</p> | <p>II. 油封 Seal-Kits</p> <p>N=丁腈橡胶 Buna N<br/>V=氟橡胶 Viton</p> | <p>IV. 阀块油口 BODY PORTING</p> <p>6T=SAE 6T<br/>8T=SAE 8T<br/>4G=G1/2<br/>4N=NPT1/2<br/>其他螺纹油口是可选择的<br/>Other porting is available</p> |
| <p>III. 阀块材质 BODY MATERIAL</p> <p>A=6061-T6铝<br/>耐压强度207Bar<br/>6061-T6 aluminum alloy rated at 207Bar</p> <p>S=钢材 耐压强度350Bar<br/>steel rated at 350Bar</p>  |  |  |