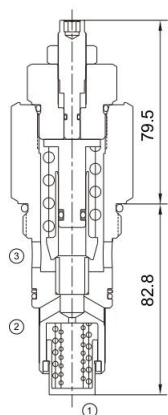


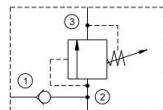


# MZYF25-01

组合式溢流阀  
Combined Relief Valve



机能符号 Symbol



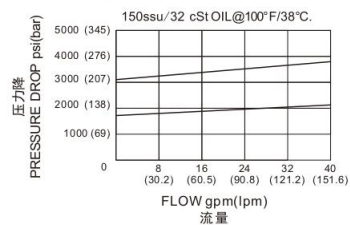
### 技术参数 Specifications

· 工作压力 Operating Pressure	280BAR
· 流量 Flow	150L/min
· 内泄漏 Internal Leakage	3ml/min.max.to 80% of nominal setting
· 温度 Temperature	-30°C to +120°C(-22°F to +250°F)
· 插孔 Cavity	T-2502 see page K-20
· 流体 Fluids	Mineral-based fluids with viscosities of 7.4 to 420 cSt.

### 产品特性 Features

- 硬化处理 零件耐久性强  
Hardened, precision ground parts for durability
- 紧凑的结构  
Compact size
- 调节杆可被锁定  
Adjustment may be locked in place
- 迅速响应压力变化  
Fast response to Pressure surges

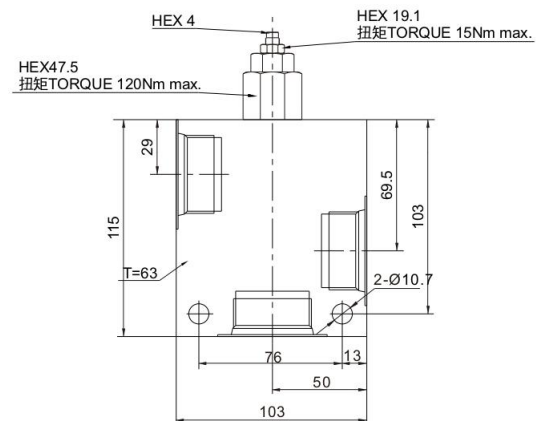
压力-流量性能曲线  
Performance Curve Pressure Drop vs.Flow



### 工作 Operation

当②口压力超过弹簧设定压力时，锥阀芯打开，②到③开始溢流，防止系统过压。  
The valve prevents flow from ② to ③ until the set crack pressure at ② is achieved. The poppet then unseat allowing flow from ② to ③ protecting the circuit from over pressurization.

安装尺寸 INSTALLATION DIMENSIONS



订购型号 Order Type

MZYF25-01 - \* - \* - \* \*

I            II            III    IV

- I. 调压范围 Pressure Range  
5=1000-2800psi(70-195bar)  
Preset:1800psi(127bar)  
10=2100-4000psi(145-280bar)  
Preset:3000psi(210bar)

- II. 油封 Seal-Kits  
N=丁腈橡胶 Buna N  
V=氟橡胶 Viton
- III. 阀块材质 BODY MATERIAL  
A=6061-T6铝  
耐压强度207Bar  
6061-T6 aluminum  
alloy rated at 207Bar  
S=钢材 耐压强度350Bar  
steel rated at 350Bar

- IV. 阀块油口 BODY PORTING  
6T=SAE 6T  
8T=SAE 8T  
4G=G 1/2  
4N=NPT 1/2  
其他螺纹油口是可选择的  
Other porting is available