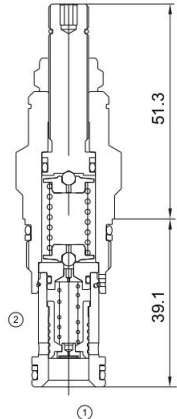


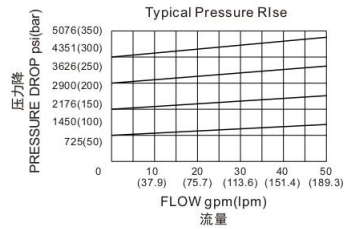
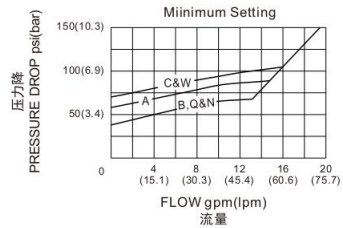


MRPEC

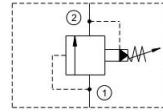
先导式溢流阀
Pilot-operated Relief Valve



压力-流量性能曲线
Performance Curve Pressure Drop vs. Flow



机能符号 Symbol



技术参数 Specifications

· 工作压力 Operating Pressure	350BAR
· 流量 Flow	95L/min
· 额定响应时间 Response Time - Typical	10ms
· 内泄漏 Internal Leakage	30ml/min.max.at 70bar
· 温度 Temperature	-30°C to +120°C (-22°F to +250°F)
· 插孔 Cavity	T-10A see page K-2
· 流体 Fluids	Mineral-based fluids with viscosities of 7.4 to 420 cSt.

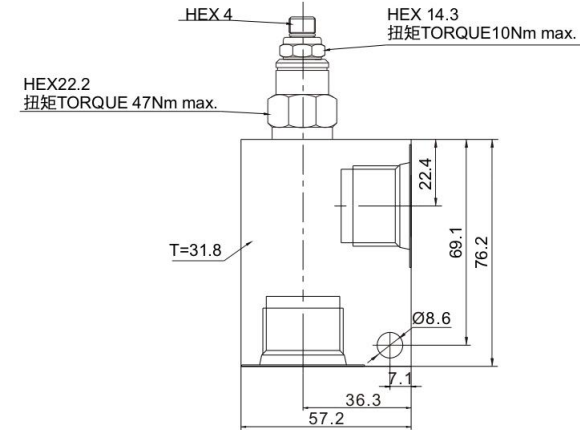
产品特性 Features

- 主级的阻尼孔被不锈钢滤网保护。
Main stage orifice is protected by a stainless steel screen.
- 油箱口（口2）处的背压直接以1:1的比例增加到阀的设定值上。
Back pressure on the tank port (port 2) is directly additive to the valve setting at a 1:1 ratio.
- 可在口2接受最大压力；适合应用在交叉端口的溢流油路中。如果应用在交叉端口的溢流油路中，请考虑滑阀泄漏。
Will accept maximum pressure at port 2; suitable for use in cross port relief circuits, consider spool leakage. If used in cross port relief circuits, consider spool leakage.

工作 Operation

先导控制式，平衡滑阀结构溢流阀为常闭压力调节阀。当进口（口1）压力达到阀设定值，阀开始向油箱（口2）溢流，节流以调节压力。此类阀压力调节精度高，压力波动随流量变化小，并且调节平稳，噪声小，响应速度适中
Pilot-operated, balanced-piston relief cartridges are normally closed pressure regulating Valve. When the pressure at the inlet (port 1) reaches the valve setting, the valve starts to open to tank (port 2), throttling flow to regulate the pressure. These Valves are accurate, have low pressure rise vs. flow, they are smooth and quiet, and are moderately fast.

安装尺寸 INSTALLATION DIMENSIONS



订购型号 Order Type

MRPEC - * * * - * *

| | | | | |

I II III IV V

- I. 调节方式 Adjustment
L=螺钉调整 Screw Adjust
K=手轮调整 Handwheel Adjust

- II. 调压范围 Pressure Range
- | | |
|---|---|
| A=100-3000psi(7-210bar)
Preset:1000psi(70bar) | K=75-1500psi(5-105bar)
Preset:1000psi(70bar) |
| B=50-1500psi(3.5-105bar)
Preset:1000psi(70bar) | P=40-400psi(2.8-28bar)
Preset:200psi(14bar) |
| C=150-6000psi(10.5-420bar)
Preset:1000psi(70bar) | V=150-800psi(10.5-55bar)
Preset:400psi(28bar) |
| D=25-800psi(1.7-55bar)
Preset:400psi(28bar) | W=150-4500psi(10.5-315bar)
Preset:1000psi(70bar) |
| E=25-400psi(1.7-28bar)
Preset:200psi(14bar) | H=30-3000psi(2-210bar)
Preset:1000psi(70bar) |
| G=60-3000psi(4-210bar)
Preset:1000psi(70bar) | N=60-800psi(4-55bar)
Preset:400psi(28bar) |
| | Q=60-400psi(4-28bar)
Preset:200psi(14bar) |

- III. 油封 Seal-Kits
N=丁腈橡胶 Buna N
V=氟橡胶 Viton
- IV. 阀块材质 BODY MATERIAL
A=6061-T6铝
 耐压强度207Bar
 6061-T6 aluminum
 alloy rated at 207Bar
S=钢材 耐压强度350Bar
 steel rated at 350Bar
- V. 阀块油口 BODY PORTING
10T=SAE 10T
12T=SAE 12T
4N=NPT1/2
4G=G1/2
其他螺纹油口是可选择的
Other porting is available