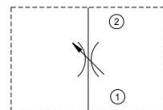




MNV-M201.5

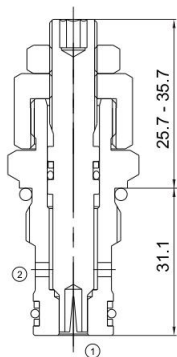
节流阀
Cartridge Needle Valve

机能符号 Symbol



技术参数 Specifications

· 工作压力 Operating Pressure	250BAR
· 流量 Flow	50L/min
· 内泄漏 Internal Leakage	0.3drops/min.max.at operating pressure
· 温度 Temperature	-30°C to +120°C (-22°F to +250°F)
· 插孔 Cavity	NV-M201.5 see page K-32
· 流体 Fluids	Mineral-based fluids with viscosities of 7.4 to 420 cSt.



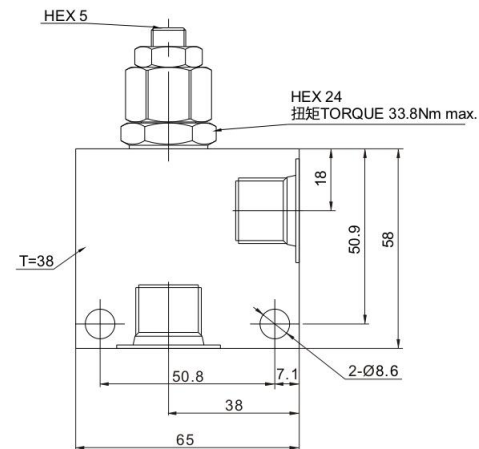
产品特性 Features

- 硬化处理,零件耐久性强
Hardened, precision ground parts for durability
- 工业通用插孔
Industry common cavity
- 紧凑的结构
Compact size
- 调压杆可被锁定
Adjustment may be locked in place.
- 可完全关闭
Positive shut-off

工作 Operation

节流阀流量大小可通过调节螺杆来实现。②到①节流，①到②开启。
The valve varies flow restriction by adjusting needle in or out. Flow is metered from ② to ①. Free reverse flow is from ① to ②.

安装尺寸 INSTALLATION DIMENSIONS



订购型号 Order Type

MNV-M201.5 - * - * *

I. 油封 Seal-Kits
N=丁腈橡胶 Buna N
V=氟橡胶 Viton

II. 阀块材质 BODY MATERIAL
A=6061-T6铝
耐压强度207Bar
6061-T6 aluminum
alloy rated at 207Bar
S=钢材 耐压强度350Bar
steel rated at 350Bar

III. 阀块油口 BODY PORTING
6T=SAE 6T
8T=SAE 8T
3G=G3/8
3N=NPT3/8
其他螺纹油口是可选择的
Other porting is available