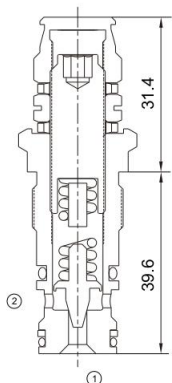


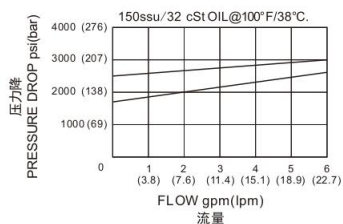


MRV-08M

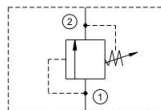
直动式溢流阀
Directly Operated Relief Valve



压力-流量性能曲线
Performance Curve Pressure Drop vs.Flow



机能符号 Symbol



技术参数 Specifications

· 工作压力 Operating Pressure	315BAR
· 流量 Flow	22.7L/min
· 内泄漏 Internal Leakage	5drop/min.max.to 80% of normal setting
· 温度 Temperature	-30°C to +120°C (-22°F to +250°F)
· 插孔 Cavity	M201.5T see page K-21
· 流体 Fluids	Mineral-based fluids with viscosities of 7.4 to 420 cSt.

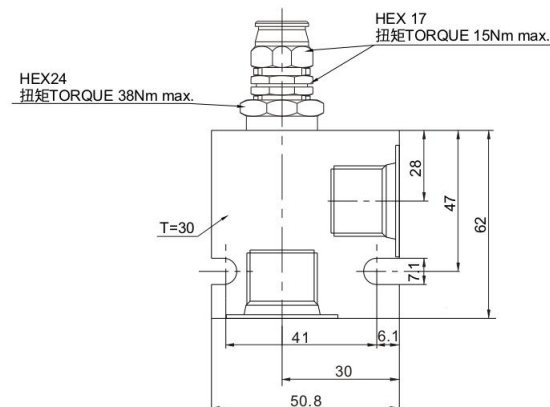
产品特性 Features

- 硬化处理, 零件耐久性强
Hardened, precision ground parts for durability
- 紧凑的结构
Compact size
- 调节杆可被锁定
Adjustment may be locked in place
- 迅速响应压力变化
Fast response to pressure surges

工作 Operation

当①口压力超过弹簧设定压力时, 锥阀芯打开, ①到②开始溢流, 防止系统过压。
The valve prevents flow from ① to ② until the set crack pressure at ① is achieved. The poppet then unseat allowing flow from ① to ② protecting the circuit from over pressurization.

安装尺寸 INSTALLATION DIMENSIONS



订购型号 Order Type

MRV-08M - * - * - * *

I II III IV

- | | | |
|---|---|---|
| <p>I. 调压范围 Pressure Range
16=1000-2500psi(70-175bar)
Preset:2300psi(160bar)
20=1700-3000psi(120-210bar)
Preset:2900psi(200bar)</p> | <p>II. 油封 Seal-Kits
N=丁腈橡胶 Buna N
V=氟橡胶 Viton</p> | <p>IV. 阀块油口 BODY PORTING
6T=SAE 6T
8T=SAE 8T
4G=G1/2
4N=NPT1/2
其他螺纹油口是可选择的
Other porting is available</p> |
| <p>III. 阀块材质 BODY MATERIAL
A=6061-T6铝
耐压强度207Bar
6061-T6 aluminum
alloy rated at 207Bar
S=钢材 耐压强度350Bar
steel rated at 350Bar</p> | | |