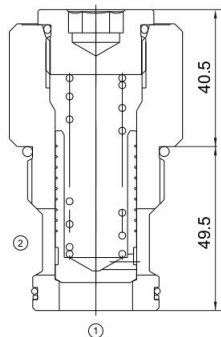


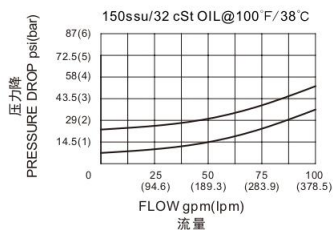


MCV-20-P

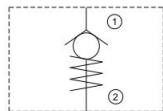
单向阀
Check Valve



压力-流量性能曲线
Performance Curve Pressure Drop vs. Flow



机能符号 Symbol



技术参数 Specifications

- 工作压力 Operating Pressure 240BAR
- 流量 Flow 380L/min
- 内泄漏 Internal Leakage 5drop/min.max.at operating pressure
- 温度 Temperature -30°C to +120°C (-22°F to +250°F)
- 插孔 Cavity 20-2S see page K-16
- 流体 Fluids Mineral-based fluids with viscosities of 7.4 to 420 cSt.

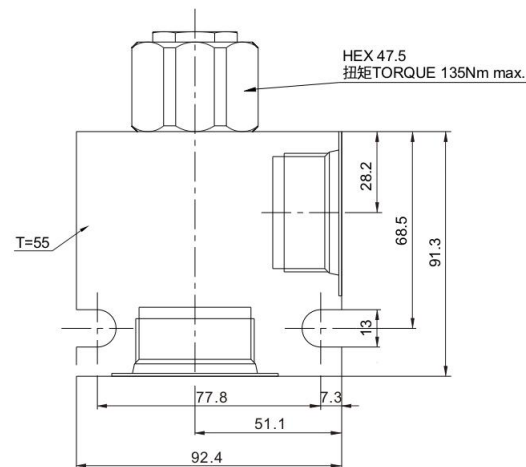
产品特性 Features

- 硬化处理, 零件耐久性强
Hardened, precision ground parts for durability
- 工业通用插孔
Industry common cavity
- 紧凑的结构
Compact size
- 低泄漏设计
Low leakage design

工作 Operation

当在①口的压力超过开启压力, ①到②开启; 在反方向, ②到①关闭;
Pressure at ① overcomes the spring-bias poppet and allows free flow ① to ②. Flow in the opposite direction, from ② to ①, is blocked by the poppet.

安装尺寸 INSTALLATION DIMENSIONS



D

订购型号 Order Type

MCV-20-P - * - * - * *

I II III IV

- | | | |
|--|--|--|
| I. 开启压力 Cracking Pressure
0.5=7psi(0.5bar)
1.0=15psi(1.0bar)
1.6=23psi(1.6bar)
2.0=30psi(2.0bar) | III. 阀块材质 BODY MATERIAL
A=6061-T6铝
耐压强度207Bar
6061-T6 aluminum
alloy rated at 207Bar
S=钢材 耐压强度350Bar
steel rated at 350Bar | IV. 阀块油口 BODY PORTING
16T=SAE 16T
20T=SAE 20T
其他螺纹油口是可选择的
Other porting is available |
| II. 油封 Seal-Kits
N=丁腈橡胶 Buna N
V=氟橡胶 Viton | | |