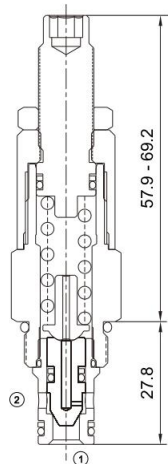
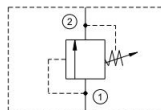




MADRV2-08

直动式溢流阀
Directly Operated Relief Valve

机能符号 Symbol



技术参数 Specifications

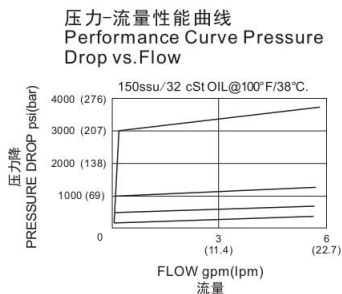
· 工作压力 Operating Pressure	250BAR
· 流量 Flow	22.7L/min
· 内泄漏 Internal Leakage	3ml/min.max.to 85% of normal setting
· 温度 Temperature	-30°C to +120°C(-22°F to +250°F)
· 插孔 Cavity	08-2 see page K-9
· 流体 Fluids	Mineral-based fluids with viscosities of 7.4 to 420 cSt.

产品特性 Features

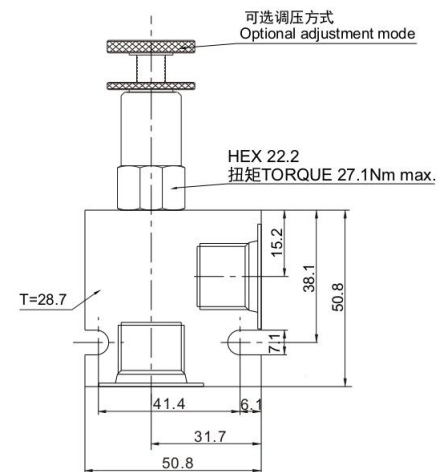
- 硬化处理,零件耐久性强
Hardened, precision ground parts for durability
- 工业通用插孔
Industry common cavity
- 紧凑的结构
Compact size
- 调节杆可被锁定
Adjustment may be locked in place
- 低泄漏设计
Low leakage design
- 迅速响应压力变化
Fast response to pressure surges

工作 Operation

当①口压力超过弹簧设定压力时,锥阀芯打开,①到②开始溢流,防止系统过压。
The valve prevents flow from ① to ② until the set crack pressure at ① is achieved. The poppet then unseat allowing flow from ① to ② protecting the circuit from over pressurization.



安装尺寸 INSTALLATION DIMENSIONS



订购型号 Order Type

MADRV2-08 * - * - * - * *

I II III IV V

- | | | |
|--|---|---|
| I. 调节方式 Adjustment
空白=螺钉调整 Screw Adjust
K=手轮调整 Handwheel Adjust
S=隐藏调整 Hidden Adjustment | III. 油封 Seal-Kits
N=丁腈橡胶 Buna N
V=氟橡胶 Viton | V. 阀块油口 BODY PORTING
4T=SAE 4T
8T=SAE 8T
3G=G3/8
3N=NPT3/8
其他螺纹油口是可选择的
Other porting is available |
| II. 调压范围 Pressure Range
5=50-500psi(3.4-34.4bar)
Preset:246psi(17bar)
9=100-1100psi(6.9-75.8bar)
Preset:550psi(38bar)
18=250-2300psi(17.2-158.5bar)
Preset:1160psi(80bar)
33=250-3600psi(17.2-248.2bar)
Preset:1800psi(124bar) | IV. 阀块材质 BODY MATERIAL
A=6061-T6铝
耐压强度207Bar
6061-T6 aluminum
alloy rated at 207Bar
S=钢材 耐压强度350Bar
steel rated at 350Bar | |