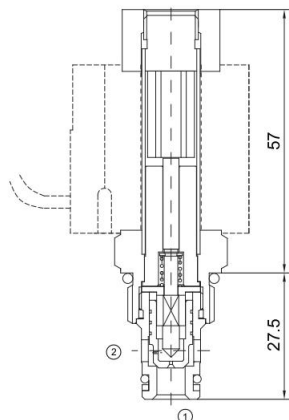


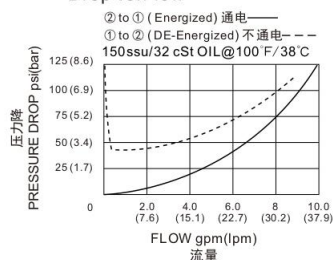


## MSV2-08-2NOP

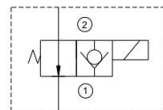
二位二通电磁阀(常开型)  
2-Way, 2-Position  
(Normally Open)



压力-流量性能曲线  
Performance Curve Pressure  
Drop vs. Flow



### 机能符号 Symbol



### 技术参数 Specifications

· 工作压力 Operating Pressure	207BAR
· 流量 Flow	30L/min
· 内泄漏 Internal Leakage	2drop/min.max.at operating pressure
· 温度 Temperature	-30°C to +120°C (-22°F to +250°F)
· 插孔 Cavity	08-2 see page K-9
· 流体 Fluids	Mineral-based fluids with viscosities of 7.4 to 420 cSt.

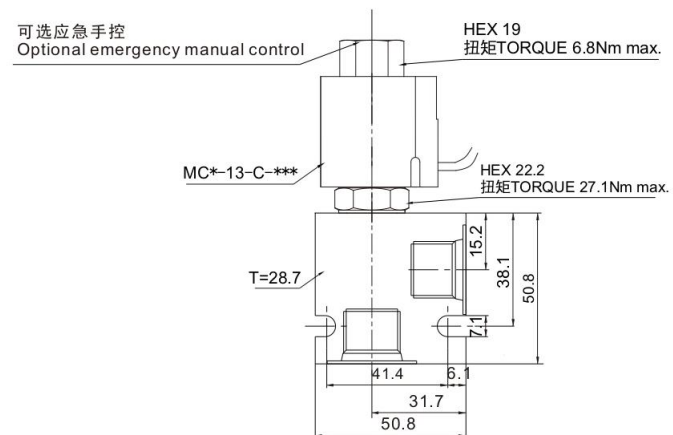
### 产品特性 Features

- 硬化处理, 零件耐久性强  
Hardened, precision ground parts for durability
- 工业通用插孔  
Industry common cavity
- 高效能的电磁铁结构  
Efficient wet-armature construction
- 可持续工作的电磁铁  
Continuous-duty solenoid
- 紧凑的结构  
Compact size

### 工作 Operation

失电时, 从②到①方向通, 反向被严重节流;  
得电时, ②到①关闭, 当①口压力超过电磁铁力, ①到②方向通。  
When de-energized, the valve allows flow from ② to ①. Flow from ① to ② is severely restricted in this mode.  
When energized the valve's poppet closes on its seat, blocking flow from ② to ①. The cartridge will allow ① to ② flow after overcoming the solenoid force.

### 安装尺寸 INSTALLATION DIMENSIONS



### 订购型号 Order Type

MSV2-08-2NOP - \* - \* - \* \* \* - \* \*

I      II      III      IV      V      VI      VII

- |   |  |   |
|---|--|---|
| <p>I. 手控应急 Manual Emergency<br/>空白=无手控应急 Not Manual<br/>M=手控应急 Manual Emergency</p> <p>II. 油封 Seal-Kits<br/>N=丁腈橡胶 Buna N<br/>V=氟橡胶 Viton</p> | <p>III. 电压 Voltage<br/>12=12V<br/>24=24V<br/>110V=110V<br/>220V=220V</p> <p>IV. 线圈连接 Coil Connection<br/>A=安普插头 Amp Plug<br/>B=插片 Double Spade<br/>D=双线引出 Double Lead<br/>S=单线引出 Single Lead<br/>H=DIN43650</p> <p>V. 电流类型 Current Type<br/>D=直流电 Direct current<br/>A=交流电 Alternating current</p> | <p>VI. 阀块材质 BODY MATERIAL<br/>A=6061-T6铝<br/>耐压强度207Bar<br/>6061-T6 aluminum<br/>alloy rated at 207Bar<br/>S=钢材 耐压强度350Bar<br/>steel rated at 350Bar</p> <p>VII. 阀块油口 BODY PORTING<br/>4T=SAE 4T<br/>8T=SAE 8T<br/>3G=G3/8<br/>3N=NPT3/8<br/>其他螺纹油口是可选择的<br/>Other porting is available</p> |
|---|--|---|