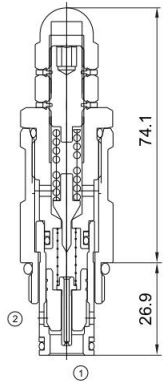




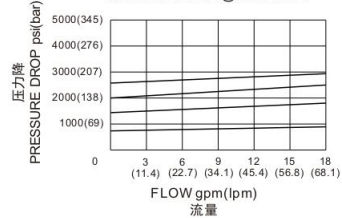
MDF15

先导式溢流阀(反向单向型)
Pilot-operated Relief Valve
(Reverse one-way type)

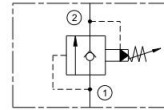


压力-流量性能曲线
Performance Curve Pressure
Drop vs.Flow

150ssu/32 cSt OIL@100°F/38°C



机能符号 Symbol



技术参数 Specifications

· 工作压力 Operating Pressure	315BAR
· 流量 Flow	63L/min
· 内泄漏 Internal Leakage	30ml/min.max.to 80% of normal setting
· 温度 Temperature	-30°C to +120°C(-22°F to +250°F)
· 插孔 Cavity	T-2114 see page K-17
· 流体 Fluids	Mineral-based fluids with viscosities of 7.4 to 420 cSt.

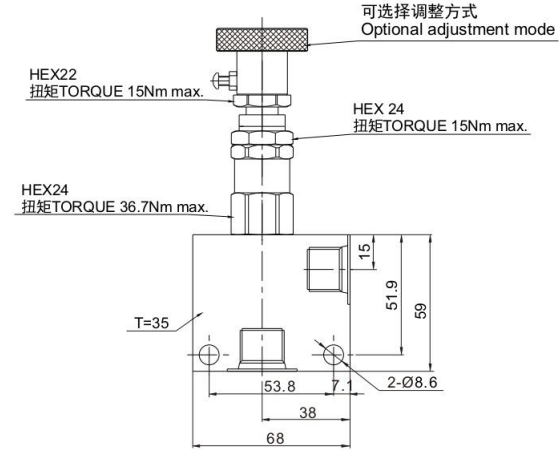
产品特性 Features

- 迅速响应压力变化
Fast response to pressure surges
- 长寿命的阀
Hardened poppet and seat for long life
- 调压杆可被锁定住
Adjustment may be locked in place
- 工业通用插孔
Industry common cavity
- 紧凑的结构
Compact size
- 调节时, 弹簧不会被压并
Adjustment prevents spring from going solid

工作 Operation

当①口压力超过弹簧设定压力时, 锥阀芯打开, ①到②开始溢流, 防止系统过压。当在②口的压力超过开启压力, ②到①开启。
The valve prevents flow from ① to ② until the set crack pressure at ① is achieved. The poppet then unseat allowing flow from ① to ② protecting the circuit from over pressurization. When pressure at ② rises above the springs bias pressure, the poppet is lifted and flow allowed from ② to ①.

安装尺寸 INSTALLATION DIMENSIONS



订购型号 Order Type

MDF15 - * - * - * - * *

I II III IV V

- | | | |
|---|--|--|
| <p>I. 调节方式 Adjustment
空白=螺钉调整 Screw Adjust
TS=手轮调整 Handwheel Adjust</p> | <p>III. 油封 Seal-Kits
N=丁腈橡胶 Buna N
V=氟橡胶 Viton</p> | <p>V. 阀块油口 BODY PORTING
6T=SAE 6T
8T=SAE 8T
4G=G1/2
4N=NPT1/2
其他螺纹油口是可选择的
Other porting is available</p> |
| <p>II. 调压范围 Pressure Range
5=150-900psi(10-64bar)
Preset:850psi(60bar)(check:1.5bar)
10=800-1900psi(55-130bar)
Preset:1700psi(120bar)(check:1.5bar)
15=1600-3000psi(110-210bar)
Preset:2300psi(160bar)(check:1.5bar)
20=2300-4500psi(160-315bar)
Preset:2900psi(200bar)(check:1.5bar)</p> | <p>IV. 阀块材质 BODY MATERIAL
A=6061-T6铝
耐压强度207Bar
6061-T6 aluminum
alloy rated at 207Bar
S=钢材 耐压强度350Bar
steel rated at 350Bar</p> | |