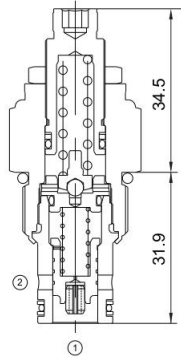


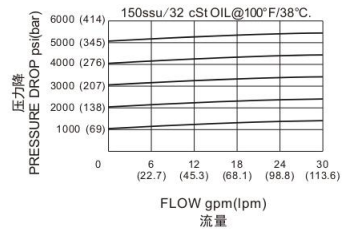


MRAH101-S

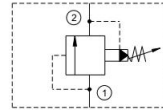
先导式溢流阀
Pilot-operated Relief Valve



压力-流量性能曲线
Performance Curve Pressure Drop vs. Flow



机能符号 Symbol



技术参数 Specifications

· 工作压力 Operating Pressure	380BAR
· 流量 Flow	113L/min
· 内泄漏 Internal Leakage	5ml/min.max.to 80% of normal setting
· 温度 Temperature	-30°C to +120°C (-22°F to +250°F)
· 插孔 Cavity	10-2 see page K-11
· 流体 Fluids	Mineral-based fluids with viscosities of 7.4 to 420 cSt.

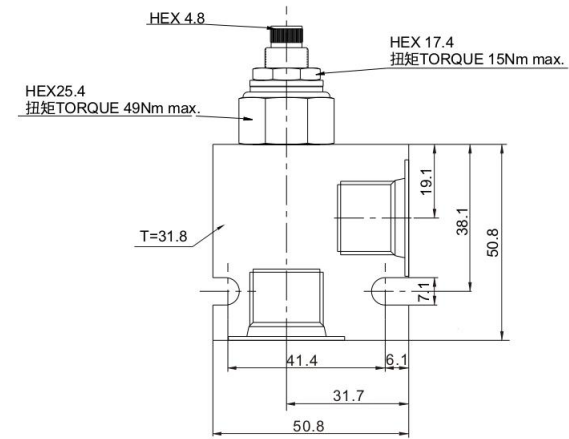
产品特性 Features

- 硬化处理, 零件耐久性强。
Hardened, precision ground parts for durability.
- 因为滑阀的泄露, 不适合用在负载锁紧应用中。
Not suitable for use in load holding applications due to spool leakage.
- 可在口2接受最大压力, 适合应用在交叉端口的溢流油路中。
Will accept maximum pressure at port 2; suitable for use in cross port relief circuits.
- 工业通用插孔。
Industry common cavity.

工作 Operation

先导控制式, 平衡滑阀结构溢流阀为常闭压力调节阀。当进口 (口1) 压力达到阀设定值, 阀开始向油箱 (口2) 溢流, 节流以调节压力。此类阀压力调节精度高, 压力波动随流量变化小, 并且调节平稳, 噪声小, 响应速度适中。
Pilot-operated, balanced-piston relief cartridges are normally closed pressure regulating Valve. When the pressure at the inlet (port 1) reaches the valve setting, the valve starts to open to tank (port 2), throttling flow to regulate the pressure. These Valves are accurate, have low pressure rise vs. flow, they are smooth and quiet, and are moderately fast.

安装尺寸 INSTALLATION DIMENSIONS



订购型号 Order Type

MRAH101-S * - * - * *

I II III IV

- I. 调压范围 Pressure Range
 10=100-1000psi(6.9-69bar)
 Preset:500psi(34.5bar)
 20=100-2000psi(6.9-138bar)
 Preset:1000psi(69bar)
 30=200-3000psi(13.8-207bar)
 Preset:1500psi(103.5bar)
 50=200-5000psi(13.8-345bar)
 Preset:2500psi(172.4bar)

- II. 油封 Seal-Kits
 N=丁腈橡胶 Buna N
 V=氟橡胶 Viton
- III. 阀块材质 BODY MATERIAL
 A=6061-T6铝
 耐压强度207Bar
 6061-T6 aluminum alloy rated at 207Bar
 S=钢材 耐压强度350Bar
 steel rated at 350Bar

- IV. 阀块油口 BODY PORTING
 6T=SAE 6T
 8T=SAE 8T
 3G=G3/8
 3N=NPT3/8
 其他螺纹油口是可选择的
 Other porting is available