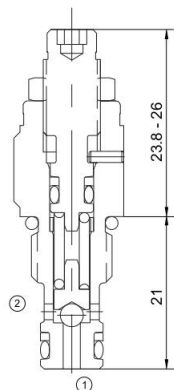


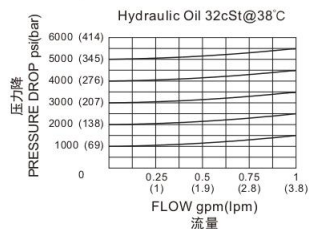


# MRDH042

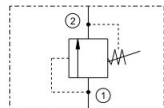
直动式溢流阀  
Directly Operated Relief Valve



压力-流量性能曲线  
Performance Curve Pressure Drop vs. Flow



## 机能符号 Symbol



## 技术参数 Specifications

- 工作压力 Operating Pressure 350BAR
- 流量 Flow 4L/min
- 内泄漏 Internal Leakage 10 drops/min@75% of crack pressure
- 温度 Temperature -30°C to +120°C (-22°F to +250°F)
- 插孔 Cavity 04-2 see page K-8
- 流体 Fluids Mineral-based fluids with viscosities of 7.4 to 420 cSt.

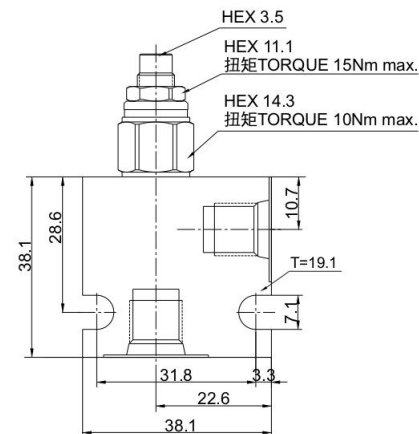
## 产品特性 Features

- 坚固耐用的精密研磨部件  
Hardened, precision ground parts for durability
- 体积小, 减少空间需求  
Compact size for reduce space requirements
- 低泄漏设计  
Low leakage design
- 所有外部零件镀锌  
All external part zinc plated
- 迅速响应压力变化  
Fast response to pressure surges

## 工作 Operation

当①口压力超过弹簧设定压力时, 锥阀芯打开, ①到②开始溢流, 防止系统过压。  
The valve prevents flow from ① to ② until the set crack pressure at ① is achieved. The poppet then unseat allowing flow from ① to ② protecting the circuit from over pressurization.

## 安装尺寸 INSTALLATION DIMENSIONS



## 订购型号 Order Type

MRDH042 \* - \* - \* - \* \*

I II III IV V

- I. 调节方式 Adjustment  
S=螺钉调整 Screw Adjust
- II. 调压范围 Pressure Range  
30=100-3000psi(6.9-207bar)  
Preset:1500psi(103bar)  
50=1500-5000psi(103-345bar)  
Preset:2500psi(172bar)
- III. 油封 Seal-Kits  
N=丁腈橡胶 Buna N  
V=氟橡胶 Viton
- IV. 阀块材质 BODY MATERIAL  
A=6061-T6铝  
耐压强度207Bar  
6061-T6 aluminum  
alloy rated at 207Bar  
S=钢材 耐压强度350Bar  
steel rated at 350Bar
- V. 阀块油口 BODY PORTING  
4T=SAE 4T  
其他螺纹油口是可选择的  
Other porting is available